

## ADDENDUM

**ADDENDUM No: #1**

**PAGES: 34**

**PROJECT: Livonia Public Schools  
Dugout Renovations 2018**

**DATE:** July 31, 2018

**TO:** All Bidders

This Addendum is issued prior to the Bid Opening to clarify or change the Bid Documents. This Addendum forms a part of the Contract Documents and modifies the original Bidding Documents issued July 20, 2018. All requirements contained in the Contract Documents shall apply to this Addendum. All incidental work necessary to complete the work shall be included in the Contractor's Proposal even though not particularly mentioned. Parts of the Specifications and Drawings referred to herein supersede previously issued data and shall form a part of the Bid Documents.

Receipt of this Addendum should be noted on the proposal form; failure to do so may subject Bidder to disqualification.

### General:

GN-1 Pre-Bid Walk-thru scheduled for August 1, 2018, at 9:00AM will **no longer be mandatory.**

The Pre-Bid Walk-thru will still be held On August 1<sup>st</sup> at 9:00 AM starting at Stevenson High School, 33500 Six Mile Road, Livonia, MI 48152 the moving to Churchill High School, 8900 Newburgh, Livonia, MI 48150.

GN-2 Clarification of Due Date: Bids are due AUGUST 8, 2018 at 1:00PM.

### Specifications:

SC-1 Refer to Specification Section 00 2300 Schedule and Phasing and Specification Section 00 4200 Proposal Form:

**A. Revise Schedule to read:**

Proposal A: Dugouts  
Start- September 5, 2018  
Complete- November 2, 2018

SC-2 Prevailing Wage Rates – Section 00 4343:

**A. Insert:**

**Wayne County Official 2018 Commercial Prevailing Wage Rates for State Funded Projects (31 pages)**



**Drawings:**

DC-1 Refer to Sheet A1.01 – Dugout Plans, Elevations & Sections (re-issued):

- A. **Delete: Sheet A1.01 Dated 7-20-2018**
- B. **Insert: Sheet A1.01 Dated 7-30-2018**

**END OF ADDENDUM #1**

**State of Michigan**

WHPWRequest@michigan.gov

**Official Request #:** 657

**Requestor:** Livonia Public Schools

**Project Description:** To Be Determined

**Project Number:**

**Wayne County**

**Official 2018 Commercial Prevailing Wage Rates for State Funded Projects**

**Issue Date:** 5/7/2018

**Contract must be awarded by:** 8/5/2018

**Page 1 of 31**

<u>Classification</u>		Last Updated	Straight Hourly	Time and a Half	Double Time	Overtime Provision
Name	Description					

**Asbestos & Lead Abatement Laborer**

MLDC		9/7/2017				
Asbestos & Lead Abatement Laborer			\$41.30	\$55.23	\$69.16	H H H X X X D Y
<b>Apprentice Rates:</b>						
	Trainee 600 hours + 1 calendar		\$30.22	\$33.28	\$41.73	

*comment*

4 ten hour days @ straight time allowed Monday-Saturday, must be consecutive calendar days

**Asbestos, Lead and Mold Abatement, Hazardous Material Handler**

AS207		3/27/2017				
Asbestos, Lead and Mold Abatement, Hazardous Material Handler			\$40.75	\$54.25	\$67.75	H H H X X X D Y

*comment*

Four ten hour days @ straight time allowed Monday-Saturday, must be consecutive calendar days

**Boilermaker**

BO169		2/17/2015				
Boilermaker			\$54.70	\$81.08	\$107.45	H H H H H H D Y
<b>Apprentice Rates:</b>						
	1st 6 months		\$40.31	\$59.49	\$78.67	
	2nd 6 months		\$41.45	\$61.21	\$80.95	
	3rd 6 months		\$42.57	\$62.88	\$83.19	
	4th 6 months		\$43.69	\$64.57	\$85.43	
	5th 6 months		\$44.81	\$66.24	\$87.67	
	6th 6 months		\$48.63	\$72.50	\$96.36	
	7th 6 months		\$49.32	\$73.01	\$96.69	
	8th 6 months		\$51.58	\$76.40	\$101.21	

Official Request #: 657  
 Requestor: Livonia Public Schools  
 Project Description: To Be Determined  
 Project Number:  
 County Wayne

**Official Rate Schedule**  
 Every contractor and subcontractor shall keep posted on the construction site, in a conspicuous place, a copy of all prevailing wage and fringe benefit rates prescribed in a contract.

**Official 2018 Commercial Prevailing Wage Rates for State Funded Projects**

**Issue Date: 5/7/2018**

**Contract must be awarded by: 8/5/2018**

**Page 2 of 31**

Classification	Name	Description	Last Updated	Straight Hourly	Time and a Half	Double Time	Overtime Provision
----------------	------	-------------	--------------	-----------------	-----------------	-------------	--------------------

**Bricklayer**

BR1			10/15/2014				
	Bricklayer, stone mason, pointer, cleaner, caulker			\$52.43	\$78.65	\$104.86	H H D H D D D D Y
	<b>Apprentice Rates:</b>						
	First 6 months			\$31.87	\$47.81	\$63.74	
	2nd 6 months			\$33.72	\$50.60	\$67.44	
	3rd 6 months			\$35.57	\$53.37	\$71.14	
	4th 6 months			\$37.42	\$56.14	\$74.84	
	5th 6 months			\$39.27	\$58.92	\$78.54	
	6th 6 months			\$41.12	\$61.70	\$82.24	
	7th 6 months			\$42.97	\$64.46	\$85.94	
	8th 6 months			\$44.82	\$67.24	\$89.64	

*comment make up day allowed*  
 Saturday for 5 day 8 hour week  
 Friday for 4 day 10 hour week  
 Four 10 hour days allowed M-TH

**Carpenter**

CA 687 D			7/5/2017				
	Diver			\$67.26	\$87.51	\$107.76	X X H X X H H D Y
	<i>comment make up day allowed</i>						
	Saturday, Four 10s allowed M-Sat; double time due when over 12 hours worked per day						

CA 687 DT			7/5/2017				
	Diver Tender			\$57.74	\$73.67	\$89.60	X X H X X H H D Y
	<i>comment make up day allowed</i>						
	Saturday						

Official Request #: 657  
 Requestor: Livonia Public Schools  
 Project Description: To Be Determined  
 Project Number:  
 County Wayne

**Official Rate Schedule**  
**Every contractor and subcontractor shall keep posted on the construction site, in a conspicuous place, a copy of all prevailing wage and fringe benefit rates prescribed in a contract.**

**Official 2018 Commercial Prevailing Wage Rates for State Funded Projects**

**Issue Date: 5/7/2018**

**Contract must be awarded by: 8/5/2018**

**Page 3 of 31**

<u>Classification</u>		Last Updated	Straight Hourly	Time and a Half	Double Time	Overtime Provision
Name	Description					
CA1045		7/5/2017				
	Carpet and Resilient Floor Layer, (does not include installation of prefabricated formica & parquet flooring which is to be paid carpenter rate)		\$51.94	\$73.28	\$94.62	X X H X X X D Y

**Apprentice Rates:**

1st 6 months	\$25.87	\$34.92	\$43.98
2nd 6 months	\$29.86	\$40.92	\$51.96
3rd 6 months	\$32.07	\$44.23	\$56.38
4th 6 months	\$34.27	\$47.52	\$60.78
5th 6 months	\$36.47	\$50.83	\$65.18
6th 6 months	\$38.69	\$54.16	\$69.62
7th 6 months	\$40.90	\$57.48	\$74.04
8th 6 months	\$43.10	\$60.77	\$78.44

CA687Z1		7/5/2017				
	Carpenter		\$58.62	\$74.55	\$90.48	X X H X X H H D Y

**Apprentice Rates:**

1st year	\$35.89	\$44.65	\$53.41
3rd 6 months	\$38.43	\$47.99	\$57.55
4th 6 months	\$40.94	\$51.29	\$61.65
5th 6 months	\$43.47	\$54.62	\$65.77
6th 6 months	\$46.01	\$57.96	\$69.91
7th 6 months	\$48.52	\$61.27	\$74.01
8th 6 months	\$51.04	\$64.58	\$78.12

*comment make up day allowed*  
Saturdays, four 10s allowed Mon-Sat; double time due when over 12 hours worked per day

CA687Z1P		7/5/2017				
	Piledriver		\$58.62	\$74.55	\$90.48	X X H X X H H D Y

*comment make up day allowed*  
Saturday, Four 10s allowed Monday-Saturday; double time due when over 12 hours worked per day

Official Request #: 657  
Requestor: Livonia Public Schools  
Project Description: To Be Determined  
  
Project Number:  
County Wayne

**Official Rate Schedule**  
**Every contractor and subcontractor shall keep posted on the construction site, in a conspicuous place, a copy of all prevailing wage and fringe benefit rates prescribed in a contract.**

**Official 2018 Commercial Prevailing Wage Rates for State Funded Projects**

**Issue Date: 5/7/2018**

**Contract must be awarded by: 8/5/2018**

**Page 4 of 31**

Classification	Last Updated	Straight Hourly	Time and a Half	Double Time	Overtime Provision
Name Description					

**Cement Mason**

BR1CM	11/3/2017				
Cement Mason		\$50.05	\$71.17	\$92.28	X X H H H H H D N

**Apprentice Rates:**

1st 6 months	\$29.13	\$39.45	\$49.77
2nd 6 months	\$31.20	\$42.54	\$53.87
3rd 6 months	\$35.31	\$48.67	\$62.01
4th 6 months	\$39.46	\$54.85	\$70.23
5th 6 months	\$41.52	\$57.91	\$74.30
6th 6 months	\$45.67	\$64.10	\$82.52

CE514	8/17/2016				
Cement Mason		\$48.55	\$68.40	\$88.24	H H D H H H H D N

**Apprentice Rates:**

1st 6 months	\$28.17	\$38.03	\$47.88
2nd 6 months	\$30.14	\$40.98	\$51.82
3rd 6 months	\$34.09	\$46.91	\$59.72
4th 6 months	\$38.03	\$52.82	\$67.60
5th 6 months	\$39.99	\$55.75	\$71.52
6th 6 months	\$43.94	\$61.68	\$79.42

**Drywall**

PT-22-D	8/25/2016				
Drywall Taper		\$45.91	\$59.74	\$73.56	H H D H D D D D Y

**Apprentice Rates:**

1st 3 months	\$32.08	\$38.99	\$45.90
2nd 3 months	\$34.85	\$43.14	\$51.44
2nd 6 months	\$37.62	\$47.30	\$56.98
3rd 6 months	\$40.38	\$51.44	\$62.50
4th 6 months	\$41.76	\$53.51	\$65.26

*comment make up day allowed*

Four 10s allowed Monday-Thursday, Friday make-up day for bad weather or holidays

Official Request #: 657  
 Requestor: Livonia Public Schools  
 Project Description: To Be Determined  
  
 Project Number:  
 County Wayne

**Official Rate Schedule**  
**Every contractor and subcontractor shall keep posted on the construction site, in a conspicuous place, a copy of all prevailing wage and fringe benefit rates prescribed in a contract.**

**Official 2018 Commercial Prevailing Wage Rates for State Funded Projects**

**Issue Date: 5/7/2018**

**Contract must be awarded by: 8/5/2018**

**Page 5 of 31**

Classification	Last	Straight	Time and	Double	Overtime
Name Description	Updated	Hourly	a Half	Time	Provision

**Electrician**

EC-58-IW	7/5/2017				
Journeyman Electrician - Inside Wireman		\$64.02	\$84.47	\$104.91	H H H H H H H D N

**Apprentice Rates:**

0-1000 hours	\$42.08	\$51.55	\$61.03
1000-2000 hours	\$44.07	\$54.54	\$65.01
2000-3500 hours	\$46.07	\$57.54	\$69.01
3500-5000 hours	\$48.07	\$60.54	\$73.00
5000-6500 hours	\$50.06	\$63.52	\$76.98
6500-8000 hours	\$54.05	\$69.52	\$84.97

EC-58-SC	7/5/2017				
Sound and Communication Installer		\$40.35	\$54.45	\$68.55	H H H H H H H D N

**Apprentice Rates:**

Period 1	\$26.75	\$34.05	\$41.35
Period 2	\$28.11	\$36.09	\$44.07
Period 3	\$29.47	\$38.13	\$46.79
Period 4	\$30.83	\$40.17	\$49.51
Period 5	\$32.19	\$42.21	\$52.23
Period 6	\$33.55	\$44.25	\$54.95

**Elevator Constructor**

EL 36	8/7/2007				
Elevator Constructor Mechanic		\$56.46		\$94.99	D D D D D D D D Y

**Apprentice Rates:**

1st Year Apprentice	\$37.74	\$58.93
2nd Year Apprentice	\$41.90	\$66.94
3rd Year Apprentice	\$43.98	\$70.95
4th Year Apprentice	\$48.14	\$78.96

*make up day allowed*

Official Request #: 657  
 Requestor: Livonia Public Schools  
 Project Description: To Be Determined  
  
 Project Number:  
 County Wayne

**Official Rate Schedule**  
**Every contractor and subcontractor shall keep posted on the construction site, in a conspicuous place, a copy of all prevailing wage and fringe benefit rates prescribed in a contract.**

**Official 2018 Commercial Prevailing Wage Rates for State Funded Projects**

**Issue Date: 5/7/2018**

**Contract must be awarded by: 8/5/2018**

**Page 6 of 31**

Classification	Name	Description	Last Updated	Straight Hourly	Time and a Half	Double Time	Overtime Provision
----------------	------	-------------	--------------	-----------------	-----------------	-------------	--------------------

**Glazier**

GL-357			8/24/2016				
Glazier				\$49.50	\$65.23	\$80.95	H H H H H H H D Y
		<b>Apprentice Rates:</b>					
		1st 6 months		\$33.77	\$41.63	\$49.49	
		2nd 6 months		\$35.35	\$44.00	\$52.65	
		3rd 6 months		\$38.49	\$48.71	\$58.93	
		4th 6 months		\$40.06	\$51.07	\$62.07	
		5th 6 months		\$41.64	\$53.43	\$65.23	
		6th 6 months		\$43.21	\$55.79	\$68.37	
		7th 6 months		\$44.78	\$58.15	\$71.51	
		8th 6 months		\$47.93	\$62.87	\$77.81	

*comment*  
If a four 10 hour day workweek is scheduled, four 10s must be consecutive,

**Heat and Frost Insulator**

AS25S			3/31/2017				
Spray Insulation -	Qualified Senior Sprayer,	application of all products		\$29.04	\$42.35		X X X H H H H H N

**Heat and Frost Insulator and Asbestos Worker**

AS25			6/3/2016				
Heat and Frost Insulators and Asbestos Workers				\$62.65	\$78.41	\$94.16	H H H H H H H D Y
		<b>Apprentice Rates:</b>					
		1st Year		\$46.90	\$54.78	\$62.66	
		2nd Year		\$50.05	\$59.50	\$68.96	
		3rd Year		\$53.20	\$64.23	\$75.26	
		4th Year		\$56.35	\$68.96	\$81.56	

*comment*  
Four 10s must be worked for a minimum of 2 consecutive weeks.  
OVERTIME is different on a four 10 week. OT is 2x for hours beyond 10. All hours on fifth day, M-F require time and one half. Sat first 8 hours, 1.5, all hours after 8 require double time.

Official Request #: 657  
Requestor: Livonia Public Schools  
Project Description: To Be Determined  
  
Project Number:  
County Wayne

**Official Rate Schedule**  
Every contractor and subcontractor shall keep posted on the construction site, in a conspicuous place, a copy of all prevailing wage and fringe benefit rates prescribed in a contract.



**Official 2018 Commercial Prevailing Wage Rates for State Funded Projects**

**Issue Date: 5/7/2018**

**Contract must be awarded by: 8/5/2018**

**Page 7 of 31**

Classification	Last Updated	Straight Hourly	Time and a Half	Double Time	Overtime Provision
Name Description					

**Ironworker**

IR-25-F1	2/1/2017				
Fence, Sound Barrier & Guardrail erection/installation and Exterior Signage work		\$35.95	\$48.05	\$60.15	X X H X X X H D Y

**Apprentice Rates:**

60% Level	\$25.39	\$32.65	\$39.91
65% Level	\$26.71	\$34.58	\$42.44
70% Level	\$28.03	\$36.51	\$44.98
75% Level	\$29.35	\$38.42	\$47.50
80% Level	\$30.67	\$40.35	\$50.03
85% Level	\$31.99	\$42.28	\$52.56

*comment*

Four ten hour work days may be worked during Monday-Saturday.

IR-25-GZ2	7/5/2017				
Siding, Glazing, Curtain Wall		\$48.13	\$59.92	\$71.70	X X H H H H D D Y

**Apprentice Rates:**

Level 1	\$31.20	\$37.93	\$44.65
Level 2	\$33.31	\$40.67	\$48.02
Level 3	\$35.42	\$43.41	\$51.39
Level 4	\$37.54	\$46.16	\$54.77
Level 5	\$39.66	\$48.92	\$58.17
Level 6	\$41.78	\$51.67	\$61.55

*comment make up day allowed*

Friday, 4 tens may be worked Monday thru Thursday @ straight time.

IR-25-PE-Z1	4/30/2018				
Pre-engineered Metal Work		\$48.69	\$59.70	\$70.70	X X H X X X X D Y

**Apprentice Rates:**

Probation 1 Year	\$27.43	\$32.86	\$38.30
1st Level	\$29.56	\$35.75	\$41.95
2nd Level	\$28.56	\$34.25	\$39.95
3rd Level	\$31.68	\$38.63	\$45.57
4th Level	\$33.81	\$41.52	\$49.22
5th Level	\$35.93	\$44.38	\$52.84

*comment make up day allowed*

4 tens allowed M-Th with Saturday make up day

Official Request #: 657  
 Requestor: Livonia Public Schools  
 Project Description: To Be Determined  
 Project Number:  
 County Wayne

**Official Rate Schedule**  
**Every contractor and subcontractor shall keep posted on the construction site, in a conspicuous place, a copy of all prevailing wage and fringe benefit rates prescribed in a contract.**

**Official 2018 Commercial Prevailing Wage Rates for State Funded Projects**

**Issue Date: 5/7/2018**

**Contract must be awarded by: 8/5/2018**

**Page 8 of 31**

<u>Classification</u>															
Name	Description	Last Updated	Straight Hourly	Time and a Half	Double Time	Overtime Provision									
IR-25-RF		7/5/2017													
Reinforced Iron Work			\$57.30	\$85.66	\$114.02	H	H	D	H	D	D	D	D	D	N
	<b>Apprentice Rates:</b>														
	Level 1		\$40.32	\$59.89	\$79.46										
	Level 2		\$42.68	\$63.43	\$84.18										
	Level 3		\$45.22	\$67.24	\$89.26										
	Level 4		\$47.75	\$71.04	\$94.32										
	Level 5		\$50.29	\$74.84	\$99.40										
	Level 6		\$50.29	\$74.84	\$99.40										
	<i>make up day allowed</i>														
-----															
IR-25-RIG		7/5/2017													
Rigging Work			\$63.51	\$95.00	\$126.49	H	H	H	H	H	H	H	H	D	N
	<b>Apprentice Rates:</b>														
	Level 1 & 2		\$38.22	\$56.16	\$74.85										
	Level 3		\$41.05	\$61.54	\$82.01										
	Level 4		\$43.87	\$65.76	\$87.65										
	Level 5		\$46.70	\$70.01	\$93.31										
	Level 6		\$49.53	\$74.25	\$98.97										
-----															
IR-25-SD		7/5/2017													
Decking			\$55.47	\$82.87	\$110.26	X	X	H	H	H	H	D	D	Y	
	<i>comment make up day allowed</i>														
	4 tens may be worked Monday thru Thursday @ straight time. If bad weather, Friday may be a make up day. If holiday celebrated on a Monday, 4 10s may be worked Tuesday thru Friday. Work in excess of 12 hours per day must be paid @ double time.														
-----															
IR-25-STR		7/5/2017													
Structural, ornamental, welder and pre-cast			\$63.64	\$95.12	\$126.60	H	H	H	H	H	H	D	D	Y	
	<b>Apprentice Rates:</b>														
	Levels 1 & 2		\$38.22	\$56.99	\$75.75										
	Level 3		\$41.05	\$61.24	\$81.41										
	Level 4		\$43.87	\$65.46	\$87.05										
	Level 5		\$46.70	\$69.71	\$92.71										
	Level 6		\$49.53	\$73.95	\$98.37										
	Level 7		\$52.35	\$78.18	\$104.01										
	Level 8		\$55.18	\$82.43	\$109.67										

Official Request #: 657  
 Requestor: Livonia Public Schools  
 Project Description: To Be Determined  
 Project Number:  
 County Wayne

**Official Rate Schedule**  
**Every contractor and subcontractor shall keep posted on the construction site, in a conspicuous place, a copy of all prevailing wage and fringe benefit rates prescribed in a contract.**

**Official 2018 Commercial Prevailing Wage Rates for State Funded Projects**

**Issue Date: 5/7/2018**

**Contract must be awarded by: 8/5/2018**

**Page 9 of 31**

Classification Name Description	Last Updated	Straight Hourly	Time and a Half	Double Time	Overtime Provision
------------------------------------	-----------------	--------------------	--------------------	----------------	-----------------------

*comment make up day allowed*  
4 tens may be worked Monday thru Thursday @ straight time. If bad weather, Friday may be a make up day. If holiday celebrated on a Monday, 4 10s may be worked Tuesday thru Friday. Work in excess of 12 hours per day must be paid @ double time.

---

IR-25-STR-D Industrial Door erection & construction	7/5/2017	\$43.74	\$65.27	\$86.80	H H H H H H D D Y
--	----------	---------	---------	---------	-------------------

*comment make up day allowed*  
Friday for bad weather when 4 tens scheduled for M-Th. If holiday celebrated on M, 4 tens may be worked T-F. Work in excess of 12 hours per day must be paid @ double time.

**Laborer**

---

L33401-A-CC Construction laborer, demolition laborer, mason tender, carpenter tender, drywall handler, concrete laborer, cement finisher tender, concrete chute, and concrete bucket handler, wall and ceiling material handler, plasterer tender, mortar mixer and plastering machine operator	5/31/2017	\$44.76	\$63.69	\$82.61	H H H H H H H D Y
--	-----------	---------	---------	---------	-------------------

**Apprentice Rates:**

0-1,000 work hours	\$38.67	\$54.55	\$70.43
1,001 - 2,000 work hours	\$39.89	\$56.38	\$72.87
2,001 - 3,000 work hours	\$41.11	\$58.21	\$75.31
3,001 - 4,000 work hours	\$43.54	\$61.86	\$80.17

*comment make up day allowed*  
If conditions beyond the employer/employee's control prevent one or more hours of working during Mon-Fri, the employer may choose to work up to 10 hour straight time weekdays. Work may be scheduled up to 10 hours per Mon-Fri for the purpose of reaching 40 hours @ straight time. Make up days may also include 8 hours of work on Saturdays @ straight time.

---

L33401-B-SB Signal Man (on sewer & caisson work), Air, Electric or Gasoline Tool Operator, Concrete Vibrator Operator, Acetylene Torch & Air Hammer Operator; Scaffold Builder, Caisson Worker	5/31/2017	\$45.04	\$64.11	\$83.17	H H H H H H H D Y
---	-----------	---------	---------	---------	-------------------

*comment make up day allowed*  
If conditions beyond the employer/employee's control prevent one or more hours of working during Mon-Fri, the employer may choose to work up to 10 hour straight time weekdays. Work may be scheduled up to 10 hours per Mon-Fri for the purpose of reaching 40 hours @ straight time. Make up days may also include 8 hours of work on Saturdays @ straight time.

---

L33401-D-HH Furnace Battery Heater Tender, Burning Bar & Oxy-Acetylene Gun	5/31/2017	\$45.28	\$64.47	\$83.65	H H H H H H H D Y
---	-----------	---------	---------	---------	-------------------

Official Request #: 657  
Requestor: Livonia Public Schools  
Project Description: To Be Determined  
  
Project Number:  
County Wayne

**Official Rate Schedule**  
Every contractor and subcontractor shall keep posted on the construction site, in a conspicuous place, a copy of all prevailing wage and fringe benefit rates prescribed in a contract.

**Official 2018 Commercial Prevailing Wage Rates for State Funded Projects**

**Issue Date: 5/7/2018**

**Contract must be awarded by: 8/5/2018**

**Page 10 of 31**

Classification Name	Description	Last Updated	Straight Hourly	Time and a Half	Double Time	Overtime Provision
<p><i>comment make up day allowed</i>                      If conditions beyond the employer/employee's control prevent one or more hours of working during Mon-Fri, the employer may choose to work up to 10 hour straight time weekdays. Work may be scheduled up to 10 hours per Mon-Fri for the purpose of reaching 40 hours @ straight time. Make up days may also include 8 hours of work on Saturdays @ straight time.</p>						
L33401-E-EX		5/31/2017				
	Expediter Man, Top Man and/or Bottom Man (Blast Furnace Work or Battery Work)		\$46.07	\$65.65	\$85.23	H H H H H H D Y
<p><i>comment make up day allowed</i>                      If conditions beyond the employer/employee's control prevent one or more hours of working during Mon-Fri, the employer may choose to work up to 10 hour straight time weekdays. Work may be scheduled up to 10 hours per Mon-Fri for the purpose of reaching 40 hours @ straight time. Make up days may also include 8 hours of work on Saturdays @ straight time.</p>						
L33401-F-CL		5/31/2017				
	Cleaner/sweeper laborer, furniture laborer - unloading of furniture to the point of installation, the setting in place or relocation of furniture.		\$39.31	\$55.51	\$71.71	H H H H H H D Y
<p><i>comment make up day allowed</i>                      If conditions beyond the employer/employee's control prevent one or more hours of working during Mon-Fri, the employer may choose to work up to 10 hour straight time weekdays. Work may be scheduled up to 10 hours per Mon-Fri for the purpose of reaching 40 hours @ straight time. Make up days may also include 8 hours of work on Saturdays @ straight time.</p>						
L334C		5/31/2017				
	Lansing Burner, Blaster & Powder Man; Air, Electric or Gasoline Tool Operator (Blast Furnace Work or Battery Work)		\$45.55	\$64.87	\$84.19	X X H X H H D Y
<p><i>comment make up day allowed</i>                      Saturday</p>						
LPT-1		6/17/2016				
	Plasterer Tender, Plastering Machine Operator		\$44.35	\$63.10	\$81.85	H H H H H H D Y
	<b>Apprentice Rates:</b>					
	1,001 - 2,000 hours		\$39.53	\$55.87	\$72.21	
	2,001 - 3,000 hours		\$40.73	\$57.67	\$74.61	
	3,001 - 4,000 hours		\$43.15	\$61.30	\$79.45	
<p><i>comment make up day allowed</i>                      f conditions beyond the employer/employee's control prevent one or more hours of working during Mon-Fri, the employer may choose to work up to 10 hour straight time weekdays. Work may be scheduled up to 10 hours per Mon-Fri for the purpose of reaching 40 hours @ straight time. Make up days may also include 8 hours of work on Saturdays @ straight time.</p>						

Official Request #: 657  
 Requestor: Livonia Public Schools  
 Project Description: To Be Determined  
 Project Number:  
 County Wayne

**Official Rate Schedule**  
**Every contractor and subcontractor shall keep posted on the construction site, in a conspicuous place, a copy of all prevailing wage and fringe benefit rates prescribed in a contract.**

**Official 2018 Commercial Prevailing Wage Rates for State Funded Projects**

**Issue Date: 5/7/2018**

**Contract must be awarded by: 8/5/2018**

**Page 11 of 31**

Classification	Name	Description	Last Updated	Straight Hourly	Time and a Half	Double Time	Overtime Provision
----------------	------	-------------	--------------	-----------------	-----------------	-------------	--------------------

**Laborer - Hazardous**

LHAZ-Z1-A 11/13/2017  
 Class A performing work in conjunction with site preparation and other preliminary work prior to actual removal, handling, or containment of hazardous waste substances not requiring use of personal protective equipment required by state or federal regulations; or a laborer performing work in conjunction with the removal, handling, or containment of hazardous waste substances when use of personal protective equipment level "D" is required.

**Apprentice Rates:**

0-1,000 work hours	\$38.67	\$54.55	\$70.43
1,001-2,000 work hours	\$39.89	\$56.38	\$72.87
2,001-3,000 work hours	\$41.11	\$58.21	\$75.31
3,001-4,000 work hours	\$43.54	\$61.86	\$80.17

*comment make up day allowed*  
 4 10s allowed M-Th or T-F; inclement weather makeup day Friday

LHAZ-Z1-B 11/13/2017  
 Class B performing work in conjunction with the removal, handling, or containment of hazardous waste substances when the use of personal protective equipment levels "A", "B" or "C" is required.

**Apprentice Rates:**

0-1,000 work hours	\$39.42	\$55.68	\$71.93
1,001-2,000 work hours	\$40.69	\$57.58	\$74.47
2,001-3,000 work hours	\$41.96	\$59.48	\$77.01
3,001-4,000 work hours	\$44.49	\$63.28	\$82.07

*comment make up day allowed*  
 4 10s allowed M-Th or T-F; inclement weather makeup day Friday

**Laborer Underground - Open Cut, Class I**

LAUC-Z1-1 9/7/2017  
 Construction Laborer

**Apprentice Rates:**

0-1,000 work hours	\$34.04	\$42.64	\$51.23
1,001-2,000 work hours	\$35.02	\$44.11	\$53.19
2,001-3,000 work hours	\$35.99	\$45.56	\$55.13
3,001-4,000 work hours	\$37.94	\$48.49	\$59.03

Official Request #: 657  
 Requestor: Livonia Public Schools  
 Project Description: To Be Determined  
  
 Project Number:  
 County Wayne

**Official Rate Schedule**  
**Every contractor and subcontractor shall keep posted on the construction site, in a conspicuous place, a copy of all prevailing wage and fringe benefit rates prescribed in a contract.**

**Official 2018 Commercial Prevailing Wage Rates for State Funded Projects**

**Issue Date: 5/7/2018**

**Contract must be awarded by: 8/5/2018**

**Page 12 of 31**

Classification Name Description	Last Updated	Straight Hourly	Time and a Half	Double Time	Overtime Provision
------------------------------------	-----------------	--------------------	--------------------	----------------	-----------------------

**Laborer Underground - Open Cut, Class II**

LAUC-Z1-2 9/7/2017  
 Mortar and material mixer, concrete form man, signal man, well point man, manhole, headwall and catch basin builder, guard rail builders, headwall, seawall, breakwall, dock builder and fence erector.

**Apprentice Rates:**

0-1,000 work hours	\$34.12	\$42.76	\$51.39
1,001-2,000 work hours	\$35.10	\$44.23	\$53.35
2,001-3,000 work hours	\$36.09	\$45.72	\$55.33
3,001-4,000 work hours	\$38.05	\$48.66	\$59.25

**Laborer Underground - Open Cut, Class III**

LAUC-Z1-3 9/7/2017  
 Air, gasoline and electric tool operator, vibrator operator, drillers, pump man, tar kettle operator, bracers, rodder, reinforced steel or mesh man (e.g. wire mesh, steel mats, dowel bars, etc.), cement finisher, welder, pipe jacking and boring man, wagon drill and air track operator and concrete saw operator (under 40 h.p.), windlass and tugger man, and directional boring man.

**Apprentice Rates:**

0-1,000 work hours	\$34.16	\$42.82	\$51.47
1,001-2,000 work hours	\$35.14	\$44.29	\$53.43
2,001-3,000 work hours	\$36.13	\$45.78	\$55.41
3,001-4,000 work hours	\$38.10	\$48.73	\$59.35

**Laborer Underground - Open Cut, Class IV**

LAUC-Z1-4 9/7/2017  
 Trench or excavating grade man.

**Apprentice Rates:**

0-1,000 work hours	\$34.22	\$42.91	\$51.59
1,001-2,000 work hours	\$35.21	\$44.40	\$53.57
2,001-3,000 work hours	\$36.20	\$45.88	\$55.55
3,001-4,000 work hours	\$38.17	\$48.84	\$59.49

Official Request #: 657  
 Requestor: Livonia Public Schools  
 Project Description: To Be Determined  
 Project Number:  
 County Wayne

**Official Rate Schedule**  
 Every contractor and subcontractor shall keep posted on the construction site, in a conspicuous place, a copy of all prevailing wage and fringe benefit rates prescribed in a contract.

**Official 2018 Commercial Prevailing Wage Rates for State Funded Projects**

**Issue Date: 5/7/2018**

**Contract must be awarded by: 8/5/2018**

**Page 13 of 31**

Classification	Name	Description	Last Updated	Straight Hourly	Time and a Half	Double Time	Overtime Provision
----------------	------	-------------	--------------	-----------------	-----------------	-------------	--------------------

**Laborer Underground - Open Cut, Class V**

LAUC-Z1-5			9/7/2017				
Pipe Layer				\$39.22	\$50.41	\$61.59	X X X X X X D Y
		<b>Apprentice Rates:</b>					
		0-1,000 work hours		\$34.26	\$42.97	\$51.67	
		1,001-2,000 work hours		\$35.26	\$44.47	\$53.67	
		2,001-3,000 work hours		\$36.25	\$45.96	\$55.65	
		3,001-4,000 work hours		\$38.23	\$48.92	\$59.61	

**Laborer Underground - Open Cut, Class VI**

LAUC-Z1-6			9/7/2017				
Grouting man, top man assistant, audio visual television operations and all other operations in connection with closed circuit television inspection, pipe cleaning and pipe relining work and the installation and repair of water service pipe and appurtenances.				\$36.67	\$46.59	\$56.49	X X X X X X D Y
		<b>Apprentice Rates:</b>					
		0-1,000 work hours		\$32.35	\$40.10	\$47.85	
		1,001-2,000 work hours		\$33.22	\$41.41	\$49.59	
		2,001-3,000 work hours		\$34.08	\$42.70	\$51.31	
		3,001-4,000 work hours		\$35.81	\$45.30	\$54.77	

**Laborer Underground - Open Cut, Class VII**

LAUC-Z1-7			9/7/2017				
Restoration laborer, seeding, sodding, planting, cutting, mulching and topsoil grading and the restoration of property such as replacing mail boxes, wood chips, planter boxes, flagstones etc.				\$33.29	\$41.52	\$49.73	X X X X X X D Y
		<b>Apprentice Rates:</b>					
		0-1,000 work hours		\$29.82	\$36.31	\$42.79	
		1,001-2,000 work hours		\$30.51	\$37.34	\$44.17	
		2,001-3,000 work hours		\$31.21	\$38.40	\$45.57	
		3,001-4,000 work hours		\$32.60	\$40.48	\$48.35	

Official Request #: 657  
 Requestor: Livonia Public Schools  
 Project Description: To Be Determined  
 Project Number:  
 County Wayne

**Official Rate Schedule**  
 Every contractor and subcontractor shall keep posted on the construction site, in a conspicuous place, a copy of all prevailing wage and fringe benefit rates prescribed in a contract.

**Official 2018 Commercial Prevailing Wage Rates for State Funded Projects**

**Issue Date: 5/7/2018**

**Contract must be awarded by: 8/5/2018**

**Page 14 of 31**

Classification	Name	Description	Last Updated	Straight Hourly	Time and a Half	Double Time	Overtime Provision
----------------	------	-------------	--------------	-----------------	-----------------	-------------	--------------------

**Laborer Underground - Tunnel, Shaft & Caisson**

LAUCT-Z1-1	9/7/2017	Class I - Tunnel, shaft and caisson laborer, dump man, shanty man, hog house tender, testing man (on gas), and watchman.	\$39.07	\$50.19	\$61.29	X X X X X X X D Y
------------	----------	--	---------	---------	---------	-------------------

**Apprentice Rates:**

0-1,000 work hours	\$34.15	\$42.80	\$51.45
1,001-2,000 work hours	\$35.14	\$44.29	\$53.43
2,001-3,000 work hours	\$36.12	\$45.76	\$55.39
3,001-4,000 work hours	\$38.09	\$48.72	\$59.33

LAUCT-Z1-2	9/7/2017	Class II - Manhole, headwall, catch basin builder, bricklayer tender, mortar man, material mixer, fence erector, and guard rail builder.	\$39.18	\$50.35	\$61.51	X X X X X X X D Y
------------	----------	--	---------	---------	---------	-------------------

**Apprentice Rates:**

0-1,000 work hours	\$34.24	\$42.94	\$51.63
1,001-2,000 work hours	\$35.22	\$44.41	\$53.59
2,001-3,000 work hours	\$36.21	\$45.90	\$55.57
3,001-4,000 work hours	\$38.19	\$48.86	\$59.53

LAUCT-Z1-3	9/7/2017	Class III - Air tool operator (jack hammer man, bush hammer man and grinding man), first bottom man, second bottom man, cage tender, car pusher, carrier man, concrete man, concrete form man, concrete repair man, cement invert laborer, cement finisher, concrete shoveler, conveyor man, floor man, gasoline and electric tool operator, gunnite man, grout operator, welder, heading dinky man, inside lock tender, pea gravel operator, pump man, outside lock tender, scaffold man, top signal man, switch man, track man, tugger man, utility man, vibrator man, winch operator, pipe jacking man, wagon drill and air track operator and concrete saw operator (under 40 h.p.).	\$39.24	\$50.44	\$61.63	X X X X X X X D Y
------------	----------	--	---------	---------	---------	-------------------

**Apprentice Rates:**

0-1,000 work hours	\$34.28	\$43.00	\$51.71
1,001-2,000 work hours	\$35.27	\$44.48	\$53.69
2,001-3,000 work hours	\$36.26	\$45.97	\$55.67
3,001-4,000 work hours	\$38.25	\$48.96	\$59.65

Official Request #: 657  
 Requestor: Livonia Public Schools  
 Project Description: To Be Determined  
  
 Project Number:  
 County Wayne

**Official Rate Schedule**  
**Every contractor and subcontractor shall keep posted on the construction site, in a conspicuous place, a copy of all prevailing wage and fringe benefit rates prescribed in a contract.**



**Official 2018 Commercial Prevailing Wage Rates for State Funded Projects**

**Issue Date: 5/7/2018**

**Contract must be awarded by: 8/5/2018**

**Page 15 of 31**

<u>Classification</u>		Last Updated	Straight Hourly	Time and a Half	Double Time	Overtime Provision
Name	Description					
LAUCT-Z1-4		9/7/2017				
Class IV - Tunnel, shaft and caisson mucker, bracer man, liner plate man, long haul dinky driver and well point man.			\$39.42	\$50.71	\$61.99	X X X X X X D Y
	<b>Apprentice Rates:</b>					
	0-1,000 work hours		\$34.42	\$43.21	\$51.99	
	1,001-2,000 work hours		\$35.42	\$44.71	\$53.99	
	2,001-3,000 work hours		\$36.42	\$46.21	\$55.99	
	3,001-4,000 work hours		\$38.42	\$49.21	\$59.99	
-----						
LAUCT-Z1-5		9/7/2017				
Class V - Tunnel, shaft and caisson miner, drill runner, keyboard operator, power knife operator, reinforced steel or mesh man (e.g. wire mesh, steel mats, dowel bars)			\$39.67	\$51.08	\$62.49	X X X X X X D Y
	<b>Apprentice Rates:</b>					
	0-1,000 work hours		\$34.60	\$43.48	\$52.35	
	1,001-2,000 work hours		\$35.62	\$45.01	\$54.39	
	2,001-3,000 work hours		\$36.63	\$46.52	\$56.41	
	3,001-4,000 work hours		\$38.66	\$49.57	\$60.47	
-----						
LAUCT-Z1-6		9/7/2017				
Class VI - Dynamite man and powder man.			\$40.00	\$51.58	\$63.15	X X X X X X D Y
	<b>Apprentice Rates:</b>					
	0-1,000 work hours		\$34.85	\$43.86	\$52.85	
	1,001-2,000 work hours		\$35.88	\$45.40	\$54.91	
	2,001-3,000 work hours		\$36.91	\$46.94	\$56.97	
	3,001-4,000 work hours		\$38.97	\$50.04	\$61.09	
-----						
LAUCT-Z1-7		9/7/2017				
Class VII - Restoration laborer, seeding, sodding, planting, cutting, mulching and topsoil grading and the restoration of property such as replacing mail boxes, wood chips, planter boxes and flagstones.			\$33.28	\$41.50	\$49.71	X X X X X X D Y
	<b>Apprentice Rates:</b>					
	0-1,000 work hours		\$29.81	\$36.30	\$42.77	
	1,001-2,000 work hours		\$30.50	\$37.33	\$44.15	
	2,001-3,000 work hours		\$31.20	\$38.38	\$45.55	
	3,001-4,000 work hours		\$32.59	\$40.46	\$48.33	

Official Request #: 657  
 Requestor: Livonia Public Schools  
 Project Description: To Be Determined  
 Project Number:  
 County Wayne

**Official Rate Schedule**  
**Every contractor and subcontractor shall keep posted on the construction site, in a conspicuous place, a copy of all prevailing wage and fringe benefit rates prescribed in a contract.**

**Official 2018 Commercial Prevailing Wage Rates for State Funded Projects**

**Issue Date: 5/7/2018**

**Contract must be awarded by: 8/5/2018**

**Page 16 of 31**

Classification	Last Updated	Straight Hourly	Time and a Half	Double Time	Overtime Provision
Name	Description				

**Landscape Laborer**

LLAN-Z1-A 10/13/2015  
 Landscape Specialist: includes air, gas, and diesel equipment operator, skidsteer (or equivalent), lawn sprinkler installer on landscaping work where seeding, sodding, planting, cutting, trimming, backfilling, rough grading or maintenance of landscape projects occurs. \$28.98 \$40.04 \$51.09 X X H X X X H D Y

*comment*  
 Sundays paid at time & one half. Holidays paid at double time.

LLAN-Z1-B 10/13/2015  
 Skilled Landscape Laborer: small power tool operator, lawn sprinkler installers' tender, material mover, truck driver when seeding, sodding, planting, cutting, trimming, backfilling, rough grading or maintaining of landscape projects occurs. \$24.76 \$33.71 \$42.65 X X H X X X H D Y

*comment*  
 Sundays paid at time & one half. Holidays paid at double time.

**Marble Finisher**

BR1-MF 10/20/2014  
 Marble Finisher \$43.48 \$54.29 \$65.10 H H D H D D D D Y

**Apprentice Rates:**

Level 1	\$19.04	\$25.12	\$31.20
Level 2	\$20.24	\$26.92	\$33.60
Level 3	\$27.01	\$33.96	\$40.90
Level 4	\$28.47	\$36.14	\$43.82
Level 5	\$29.99	\$37.84	\$45.70
Level 6	\$31.61	\$39.86	\$48.10
Level 7	\$33.30	\$41.59	\$49.87
Level 8	\$34.79	\$43.48	\$52.17

*comment*  
 A four ten workweek may be worked Monday thru Thursday or Tuesday thru Friday.

Official Request #: 657  
 Requestor: Livonia Public Schools  
 Project Description: To Be Determined  
 Project Number:  
 County Wayne

**Official Rate Schedule**  
**Every contractor and subcontractor shall keep posted on the construction site, in a conspicuous place, a copy of all prevailing wage and fringe benefit rates prescribed in a contract.**

**Official 2018 Commercial Prevailing Wage Rates for State Funded Projects**

**Issue Date: 5/7/2018**

**Contract must be awarded by: 8/5/2018**

**Page 17 of 31**

Classification	Name	Description	Last Updated	Straight Hourly	Time and a Half	Double Time	Overtime Provision
----------------	------	-------------	--------------	-----------------	-----------------	-------------	--------------------

**Marble Mason**

BR1-MM			10/17/2014				
Marble Mason				\$50.29	\$64.51	\$78.72	H H D H D D D D Y
		<b>Apprentice Rates:</b>					
		Level 1		\$25.14	\$32.65	\$40.15	
		Level 2		\$28.20	\$36.49	\$44.78	
		Level 3		\$33.41	\$41.97	\$50.53	
		Level 4		\$36.15	\$45.66	\$55.17	
		Level 5		\$38.42	\$48.17	\$57.92	
		Level 6		\$42.07	\$53.56	\$65.05	
		Level 7		\$42.74	\$54.38	\$66.02	
		Level 8		\$43.67	\$55.78	\$67.88	

*comment*

A four ten workweek may be worked Monday thru Thursday or Tuesday thru Friday.

**Operating Engineer**

EN-324-A120			6/7/2017				
Crane with boom & jib or leads 120' or longer				\$59.36	\$77.25	\$95.13	X X H H D D D D Y

*comment*

Double time after 12 hours M-F

EN-324-A140			6/7/2017				
Crane with boom & jib or leads 140' or longer				\$60.18	\$78.48	\$96.77	X X H H D D D D Y

*comment*

Work in excess of 12 hours per day M-F shall be paid at double time.

EN-324-A220			6/7/2017				
Crane with boom & jib or leads 220' or longer				\$60.48	\$78.93	\$97.37	X X H H D D D D Y

*comment*

Work in excess of 12 hours per day M-F shall be paid at double time.

EN-324-A300			6/7/2017				
Crane with boom & jib or leads 300' or longer				\$61.98	\$81.18	\$100.37	X X H H D D D D Y

*comment*

Work in excess of 12 hours per day M-F shall be paid at double time.

Official Request #: 657  
 Requestor: Livonia Public Schools  
 Project Description: To Be Determined  
  
 Project Number:  
 County Wayne

**Official Rate Schedule**  
**Every contractor and subcontractor shall keep posted on the construction site, in a conspicuous place, a copy of all prevailing wage and fringe benefit rates prescribed in a contract.**

**Official 2018 Commercial Prevailing Wage Rates for State Funded Projects**

**Issue Date: 5/7/2018**

**Contract must be awarded by: 8/5/2018**

**Page 18 of 31**

<u>Classification</u>		Last Updated	Straight Hourly	Time and a Half	Double Time	Overtime Provision
EN-324-A400		6/7/2017				
Crane with boom & jib or leads 400' or longer			\$63.48	\$83.43	\$103.37	X X H H D D D D Y
<i>comment</i>	Work in excess of 12 hours per day M-F shall be paid at double time.					
-----						
EN-324-CW		6/7/2017				
Compressor or welding machine			\$48.51	\$60.97	\$73.43	X X H H D D D D Y
<i>comment</i>	Work in excess of 12 hours per day M-F shall be paid at double time.					
-----						
EN-324-FL		6/7/2017				
Forklift, lull, extend-a-boom forklift			\$55.82	\$71.94	\$88.05	X X H H D D D D Y
<i>comment</i>	Work in excess of 12 hours per day M-F shall be paid at double time.					
-----						
EN-324-FO		6/7/2017				
Fireman or oiler			\$47.48	\$59.43	\$71.37	X X H H D D D D Y
<i>comment</i>	Work in excess of 12 hours per day M-F shall be paid at double time.					
-----						
EN-324-RC		6/7/2017				
Regular crane, job mechanic, concrete pump with boom			\$58.50	\$75.96	\$93.41	X X H H D D D D Y
<i>comment</i>	Work in excess of 12 hours per day M-F shall be paid at double time.					
-----						
EN-324-RE		6/7/2017				
Regular engineer, hydro-excavator, remote controlled concrete breaker			\$57.53	\$74.50	\$91.47	X X H H D D D D Y
	<b>Apprentice Rates:</b>					
			0-999 hours	\$46.53	\$58.76	\$70.97
			1,000-1,999 hours	\$48.28	\$61.38	\$74.47
			2,000-2,999 hours	\$50.02	\$63.99	\$77.95
			3,000-3,999 hours	\$51.77	\$66.62	\$81.45
			4,000-4,999 hours	\$53.51	\$69.22	\$84.93
			5,000-5,999 hours	\$55.26	\$71.85	\$88.43
<i>comment</i>	Work in excess of 12 hours per day M-F shall be paid at double time.					
-----						

Official Request #: 657  
 Requestor: Livonia Public Schools  
 Project Description: To Be Determined  
 Project Number:  
 County: Wayne

**Official Rate Schedule**  
**Every contractor and subcontractor shall keep posted on the construction site, in a conspicuous place, a copy of all prevailing wage and fringe benefit rates prescribed in a contract.**

**Official 2018 Commercial Prevailing Wage Rates for State Funded Projects**

**Issue Date: 5/7/2018**

**Contract must be awarded by: 8/5/2018**

**Page 19 of 31**

Classification Name Description	Last Updated	Straight Hourly	Time and a Half	Double Time	Overtime Provision
<b>Operating Engineer - Marine Construction</b>					
GLF D Diver/Wet Tender/Tender/Rov Pilot/Rov Tender	4/2/2014	\$52.80	\$79.20	\$105.60	H H H H H H H D N
GLF-1 Diver/Wet Tender, Engineer (hydraulic dredge) <i>comment make up day allowed</i> Holiday pay = 2.5 times the straight hourly rate <u>Subdivision of county</u> all Great Lakes, islands therein, & connecting & tributary waters	1/23/2017	\$72.32	\$93.82	\$115.32	X X H H H H H D Y
GLF-2 Crane/Backhoe Operator, 70 ton or over Tug Operator, Mechanic/Welder, Assistant Engineer (hydraulic dredge), Leverman (hydraulic dredge), Diver Tender <i>comment make up day allowed</i> Holiday pay = 2.5 times the straight hourly rate <u>Subdivision of county</u> All Great Lakes, islands therein, & connecting & tributary waters	1/23/2017	\$70.82	\$91.57	\$112.32	X X H H H H H D Y
GLF-2B Friction, Lattice Boom or Crane License Certification <i>comment make up day allowed</i> Holiday pay = 2.5 times the straight hourly rate <u>Subdivision of county</u> All Great Lakes, islands, therein, & connecting & tributary waters	1/23/2017	\$72.32	\$93.82	\$115.32	X X H H H H H D Y
GLF-3 Deck Equipment Operator, Machineryman, Maintenance of Crane (over 50 ton capacity) or Backhoe (115,000 lbs or more), Tug/Launch Operator, Loader, Dozer on Barge, Deck Machinery <i>comment make up day allowed</i> Holiday pay = 2.5 times the straight hourly rate <u>Subdivision of county</u> All Great Lakes, islands therein, & connecting & tributary waters	1/23/2017	\$66.27	\$84.75	\$103.22	X X H H H H H D Y
GLF-4 Deck Equipment Operator, (Machineryman/Fireman), (4 equipment units or more), Off Road Trucks, Deck Hand, Tug Engineer, & Crane Maintenance 50 ton capacity and under or Backhoe 115,000 lbs or less, Assistant Tug Operator	1/23/2017	\$60.07	\$75.45	\$90.82	X X H H H H H D Y

Official Request #: 657  
 Requestor: Livonia Public Schools  
 Project Description: To Be Determined  
 Project Number:  
 County: Statewide

**Official Rate Schedule**  
**Every contractor and subcontractor shall keep posted on the construction site, in a conspicuous place, a copy of all prevailing wage and fringe benefit rates prescribed in a contract.**

**Official 2018 Commercial Prevailing Wage Rates for State Funded Projects**

**Issue Date: 5/7/2018**

**Contract must be awarded by: 8/5/2018**

**Page 20 of 31**

<u>Classification</u>		Last Updated	Straight Hourly	Time and a Half	Double Time	Overtime Provision
=====						
<i>comment</i>	<i>make up day allowed</i>					
Holiday pay = 2.5 times the straight hourly rate						
<u>Subdivision of county</u>	All Great Lakes, islands therein, & connecting & tributary waters					
-----						
<b>Operating Engineer Steel Work</b>						
-----						
EN-324-EF		6/8/2017				
Forklift, 1 Drum Hoist			\$60.41	\$79.00	\$97.58	H H D H H H D D Y
<i>comment</i>	<i>make up day allowed</i>					
4 10s allowed M-Th with Friday makeup day because of bad weather						
-----						
EN-324-SW120		6/7/2017				
Crane w/ 120' boom or longer			\$63.11	\$83.05	\$102.98	H H D H H H D D Y
<i>comment</i>	<i>make up day allowed</i>					
4 10s allowed M-Th with Friday makeup day because of bad weather						
-----						
EN-324-SW120-O		6/7/2017				
Crane w/ 120' boom or longer w/ Oiler			\$64.11	\$84.55	\$104.98	H H D H H H D D Y
<i>comment</i>	<i>make up day allowed</i>					
4 10s allowed M-Th with Friday makeup day because of bad weather						
-----						
EN-324-SW140		6/7/2017				
Crane w/ 140' boom or longer			\$64.29	\$84.82	\$105.34	H H D H H H D D Y
<i>comment</i>	<i>make up day allowed</i>					
4 10s allowed M-Th with Friday makeup day because of bad weather						
-----						
EN-324-SW140-O		6/7/2017				
Crane w/ 140' boom or longer W/ Oiler			\$65.29	\$86.32	\$107.34	H H D H H H D D Y
<i>comment</i>	<i>make up day allowed</i>					
4 10s allowed M-Th with Friday makeup day because of bad weather						
-----						
EN-324-SW220		6/7/2017				
Boom & Jib 220' or longer			\$64.56	\$85.22	\$105.88	H H D H H H D D Y
<i>comment</i>	<i>make up day allowed</i>					
4 10s allowed M-Th with Friday makeup day because of bad weather						
-----						
EN-324-SW220-O		6/7/2017				
Crane w/ 220' boom or longer w/ Oiler			\$65.56	\$86.72	\$107.88	H H D H H H D D Y
=====						

Official Request #: 657  
 Requestor: Livonia Public Schools  
 Project Description: To Be Determined  
 Project Number:  
 County Wayne

**Official Rate Schedule**  
**Every contractor and subcontractor shall keep posted on the construction site, in a conspicuous place, a copy of all prevailing wage and fringe benefit rates prescribed in a contract.**

**Official 2018 Commercial Prevailing Wage Rates for State Funded Projects**

**Issue Date: 5/7/2018**

**Contract must be awarded by: 8/5/2018**

**Page 21 of 31**

<u>Classification</u>	<u>Name</u>	<u>Description</u>	<u>Last Updated</u>	<u>Straight Hourly</u>	<u>Time and a Half</u>	<u>Double Time</u>	<u>Overtime Provision</u>
		<i>comment make up day allowed</i> 4 10s allowed M-Th with Friday makeup day because of bad weather					
EN-324-SW300		Boom & Jib 300' or longer	6/7/2017	\$66.06	\$87.47	\$108.88	H H D H H H D D Y
		<i>comment make up day allowed</i> 4 10s allowed M-Th with Friday makeup day because of bad weather					
EN-324-SW300-O		Crane w/ 300' boom or longer w/ Oiler	6/7/2017	\$67.06	\$88.97	\$110.88	H H D H H H D D Y
		<i>comment make up day allowed</i> 4 10s allowed M-Th with Friday makeup day because of bad weather					
EN-324-SW400		Boom & Jib 400' or longer	6/7/2017	\$67.56	\$89.72	\$111.88	H H D H H H D D Y
		<i>comment make up day allowed</i> 4 10s allowed M-Th with Friday makeup day because of bad weather					
EN-324-SW400-O		Crane w/ 400' boom or longer w/ Oiler	6/7/2017	\$68.56	\$91.22	\$113.88	H H D H H H D D Y
		<i>comment make up day allowed</i> 4 10s allowed M-Th with Friday makeup day because of bad weather					
EN-324-SWCO		Crane Operator, Job Mechanic, 3 Drum Hoist & Excavator	6/7/2017	\$62.75	\$82.51	\$102.26	H H D H H H D D Y
		<b>Apprentice Rates:</b>					
		0-999 hours		\$49.40	\$63.26	\$77.11	
		1,000-1,999 hours		\$51.38	\$66.23	\$81.07	
		2,000-2,999 hours		\$53.35	\$69.19	\$85.01	
		3,000-3,999 hours		\$55.33	\$72.16	\$88.97	
		4,000-4,999 hours		\$57.30	\$75.11	\$92.91	
		5,000 hours		\$59.28	\$78.08	\$96.87	
		<i>comment make up day allowed</i> 4 10s allowed M-Th with Friday makeup day because of bad weather					
EN-324-SWCO-O		Crane Operator w/ Oiler	6/7/2017	\$63.75	\$84.01	\$104.26	H H D H H H D D Y
		<i>comment make up day allowed</i> 4 10s allowed M-Th with Friday makeup day because of bad weather					

Official Request #: 657  
 Requestor: Livonia Public Schools  
 Project Description: To Be Determined  
 Project Number:  
 County Wayne

**Official Rate Schedule**  
**Every contractor and subcontractor shall keep posted on the construction site, in a conspicuous place, a copy of all prevailing wage and fringe benefit rates prescribed in a contract.**

**Official 2018 Commercial Prevailing Wage Rates for State Funded Projects**

**Issue Date: 5/7/2018**

**Contract must be awarded by: 8/5/2018**

**Page 22 of 31**

<u>Classification</u>		Last Updated	Straight Hourly	Time and a Half	Double Time	Overtime Provision
EN-324-SWCW		6/7/2017				
Compressor or Welder Operator			\$55.30	\$71.33	\$87.36	H H D H H H D D Y
<i>comment</i>	<i>make up day allowed</i>					
4 10s allowed M-Th with Friday makeup day because of bad weather						
-----						
EN-324-SWHO		6/7/2017				
Hoisting Operator, 2 Drum Hoist, & Rubber Tire Backhoe			\$62.11	\$81.55	\$100.98	H H D H H H D D Y
<i>comment</i>	<i>make up day allowed</i>					
4 10s allowed M-Th with Friday makeup day because of bad weather						
-----						
EN-324-SWO		6/7/2017				
Oiler			\$53.89	\$69.22	\$84.54	H H D H H H D D Y
<i>comment</i>	<i>make up day allowed</i>					
4 10s allowed M-Th with Friday makeup day because of bad weather						
-----						
EN-324-SWTD50		6/7/2017				
Tower Crane & Derrick where work is 50' or more			\$63.84	\$84.14	\$104.44	H H D H H H D D Y
<i>comment</i>	<i>make up day allowed</i>					
4 10s allowed M-Th with Friday makeup day because of bad weather						
-----						
EN-324-SWTD50-O		6/7/2017				
Tower Crane & Derrick 50' or more w/ Oiler			\$64.84	\$85.64	\$106.44	H H D H H H D D Y
<i>comment</i>	<i>make up day allowed</i>					
4 10s allowed M-Th with Friday makeup day because of bad weather						

**Operating Engineer Underground**

EN-324A1-UC1		9/7/2017				
Class I Equipment			\$55.54	\$71.56	\$87.57	H H H H H H H D Y
	<b>Apprentice Rates:</b>					
	0-999 hours		\$44.09	\$55.30	\$66.52	
	1,000-1,999 hours		\$45.68	\$57.70	\$69.70	
	2,000-2,999 hours		\$47.28	\$60.09	\$72.90	
	3,000-3,999 hours		\$48.88	\$62.49	\$76.10	
	4,000-4,999 hours		\$50.49	\$64.91	\$79.32	
	5,000-5,999 hours		\$52.09	\$67.30	\$82.52	

Official Request #: 657  
 Requestor: Livonia Public Schools  
 Project Description: To Be Determined  
 Project Number:  
 County Wayne

**Official Rate Schedule**  
**Every contractor and subcontractor shall keep posted on the construction site, in a conspicuous place, a copy of all prevailing wage and fringe benefit rates prescribed in a contract.**



**Official 2018 Commercial Prevailing Wage Rates for State Funded Projects**

**Issue Date: 5/7/2018**

**Contract must be awarded by: 8/5/2018**

**Page 23 of 31**

<u>Classification</u>		<u>Last Updated</u>	<u>Straight Hourly</u>	<u>Time and a Half</u>	<u>Double Time</u>	<u>Overtime Provision</u>
Name	Description					
EN-324A1-UC2		9/7/2017				
Class II Equipment			\$50.81	\$64.46	\$78.11	H H H H H H D Y
.....						
EN-324A1-UC3		9/7/2017				
Class III Equipment			\$50.08	\$63.37	\$76.65	H H H H H H D Y
.....						
EN-324A1-UC4		9/7/2017				
Class IV Equipment			\$49.51	\$62.52	\$75.51	H H H H H H D Y
.....						
EN-324A1-UMM		9/7/2017				
Master Mechanic			\$55.79	\$71.93	\$88.07	H H H H H H D Y

**Painter**

PT-22-P		10/3/2017				
Painter			\$44.32	\$57.60	\$70.88	H H D H D D D Y
	<b>Apprentice Rates:</b>					
	Year 1		\$31.04	\$37.68	\$44.32	
	Year 2		\$33.70	\$41.67	\$49.64	
	Year 3		\$36.35	\$45.64	\$54.94	
	Year 4		\$40.34	\$51.63	\$62.92	

*comment make up day allowed*  
 Four 10s allowed Monday-Thursday with Friday makeup day if job down due to weather, holiday or other conditions beyond the control of the employer, 8 hours of repaint work performed on Sunday shall be paid time & one half

Official Request #: 657  
 Requestor: Livonia Public Schools  
 Project Description: To Be Determined  
 Project Number:  
 County Wayne

**Official Rate Schedule**  
**Every contractor and subcontractor shall keep posted on the construction site, in a conspicuous place, a copy of all prevailing wage and fringe benefit rates prescribed in a contract.**

**Official 2018 Commercial Prevailing Wage Rates for State Funded Projects**

**Issue Date: 5/7/2018**

**Contract must be awarded by: 8/5/2018**

**Page 24 of 31**

Classification	Name	Description	Last Updated	Straight Hourly	Time and a Half	Double Time	Overtime Provision
----------------	------	-------------	--------------	-----------------	-----------------	-------------	--------------------

**Painter - Sign Display**

PT-591			12/12/2017	\$19.94	\$29.93	\$39.88	X X X X X X D N
The trade jurisdiction consists of painting and other related surface finishing operations; lettering, and all operations so related; pictorial and graphic art work; screen process procedures; application of photographs, translates, refinished surface-type materials used in lieu of painted methods, display graphics; adhesive backed lettering and art work; sign hanging, sign installation, erection and construction; bulletin board construction; plastic sign fabrication; advertising displays and exhibits; and the preparing of surfaces for finishing of the same to include but not limited to application of filler of seams, grooves, nail and/or screw holes; and such area practices pertaining to the sign and display industry.							

**Pipe and Manhole Rehab**

TM247			4/17/2015	\$28.20	\$38.20		H H H H H H H N
General Laborer for rehab work or normal cleaning and cctv work-top man, scaffold man, CCTV assistant, jetter-vac assistant							

TM247-2			4/17/2015	\$32.70	\$44.95		H H H H H H H N
Tap cutter/CCTV Tech/Grout Equipment Operator: unit driver and operator of CCTV; grouting equipment and tap cutting equipment							

TM247-3			4/17/2015	\$31.45	\$43.07		H H H H H H H N
CCTV Technician/Combo Unit Operator: unit driver and operator of cctv unit or combo unit in connection with normal cleaning and televising work							

TM247-4			4/17/2015	\$33.20	\$45.70		H H H H H H H N
Boiler Operator: unit driver and operator of steam/water heater units and all ancillary equipment associated							

TM247-5			4/17/2015	\$33.20	\$45.70		H H H H H H H N
Combo Unit driver & Jetter-Vac Operator							

Official Request #: 657  
 Requestor: Livonia Public Schools  
 Project Description: To Be Determined  
 Project Number:  
 County Statewide

**Official Rate Schedule**  
**Every contractor and subcontractor shall keep posted on the construction site, in a conspicuous place, a copy of all prevailing wage and fringe benefit rates prescribed in a contract.**

**Official 2018 Commercial Prevailing Wage Rates for State Funded Projects**

**Issue Date: 5/7/2018**

**Contract must be awarded by: 8/5/2018**

**Page 25 of 31**

<u>Classification</u>		Last Updated	Straight Hourly	Time and a Half	Double Time	Overtime Provision
TM247-6		4/17/2015				
Pipe Bursting & Slip-lining Equipment Operator			\$34.20	\$47.20		H H H H H H H H N

**Pipefitter**

PF-636		7/12/2016				
Pipefitter, Steamfitter, Refrigeration & Air Conditioning Service			\$69.83	\$91.03	\$108.23	H H D H D D D D Y
	<b>Apprentice Rates:</b>					
	1st & 2nd periods		\$29.93	\$38.28	\$45.28	
	3rd period		\$31.93	\$41.28	\$49.28	
	4th period		\$33.18	\$43.16	\$51.78	
	5th period		\$34.43	\$45.03	\$54.28	
	6th period		\$35.68	\$46.90	\$56.78	
	7th period		\$36.93	\$48.78	\$59.28	
	8th period		\$37.93	\$50.28	\$61.28	
	9th period		\$38.93	\$51.78	\$63.28	
	10th period		\$40.36	\$53.92	\$66.14	

*comment*  
Four 10s allowed during the week preceding, following and/or the week of a holiday.

**Plasterer**

BR1P		11/1/2012				
Plasterer			\$45.04	\$67.56	\$90.08	H H H H H H H D N
	<b>Apprentice Rates:</b>					
	1st 6 months		\$32.11	\$48.17	\$64.22	
	2nd 6 months		\$33.40	\$50.10	\$66.80	
	3rd 6 months		\$34.69	\$52.04	\$69.38	
	4th 6 months		\$37.28	\$55.92	\$74.56	
	5th 6 months		\$39.87	\$59.81	\$79.74	
	6th 6 months		\$42.45	\$63.68	\$84.90	

*comment*     *make up day allowed*  
Saturday

Official Request #: 657  
Requestor: Livonia Public Schools  
Project Description: To Be Determined  
  
Project Number:  
County Wayne

**Official Rate Schedule**  
Every contractor and subcontractor shall keep posted on the construction site, in a conspicuous place, a copy of all prevailing wage and fringe benefit rates prescribed in a contract.

**Official 2018 Commercial Prevailing Wage Rates for State Funded Projects**

**Issue Date: 5/7/2018**

**Contract must be awarded by: 8/5/2018**

**Page 26 of 31**

<u>Classification</u>						
Name	Description	Last Updated	Straight Hourly	Time and a Half	Double Time	Overtime Provision
PL67		9/8/2010				
Plasterer			\$44.72	\$60.11	\$75.50	H H H X D D D D N
	<b>Apprentice Rates:</b>					
	1st 6 months		\$29.33	\$37.02	\$44.72	
	2nd 6 months		\$30.87	\$39.34	\$47.80	
	3rd 6 months		\$32.41	\$41.64	\$50.88	
	4th 6 months		\$35.49	\$46.26	\$57.04	
	5th 6 months		\$38.56	\$51.16	\$63.76	
	6th 6 months		\$41.64	\$55.49	\$69.34	

-----

**Plumber**

---

PL-98		7/18/2013				
Plumber			\$64.45	\$84.87	\$101.29	H H D H D D D D Y
	<b>Apprentice Rates:</b>					
	Period 1		\$19.93	\$26.43	\$32.93	
	Period 2		\$23.90	\$31.40	\$38.90	
	Period 3		\$30.60	\$39.19	\$47.77	
	Period 4		\$31.23	\$40.13	\$49.03	
	Period 5		\$32.39	\$41.87	\$51.35	
	Period 6		\$33.54	\$43.59	\$53.65	
	Period 7		\$34.69	\$45.32	\$55.95	
	Period 8		\$35.86	\$47.07	\$58.29	
	Period 9		\$37.01	\$48.80	\$60.59	
	Period 10		\$38.16	\$50.53	\$62.89	

*comment*  
 4 tens allowed M-Th or T-F; OT of time and one half required on 11th & 12th hour of any ten hour days

---

Official Request #: 657	<b>Official Rate Schedule</b>
Requestor: Livonia Public Schools	<b>Every contractor and subcontractor shall keep posted on the construction site, in a conspicuous place, a copy of all prevailing wage and fringe benefit rates prescribed in a contract.</b>
Project Description: To Be Determined	
Project Number:	
County Wayne	

**Official 2018 Commercial Prevailing Wage Rates for State Funded Projects**

**Issue Date: 5/7/2018**

**Contract must be awarded by: 8/5/2018**

**Page 27 of 31**

Classification	Last	Straight	Time and	Double	Overtime
Name Description	Updated	Hourly	a Half	Time	Provision

**Roofer**

RO-149-WOM	9/27/2016				
Commercial Roofer		\$55.93	\$70.93	\$85.93	X X H X X H H D N

**Apprentice Rates:**

new apprentice	\$37.34	\$45.07	\$52.80
Apprentice 1	\$41.85	\$49.81	\$57.77
Apprentice 2	\$42.36	\$50.57	\$58.79
Apprentice 3	\$43.87	\$52.84	\$61.81
Apprentice 4	\$45.37	\$55.09	\$64.81
Apprentice 5	\$46.88	\$57.35	\$67.83
Apprentice 6	\$48.29	\$59.47	\$70.65
Apprentice 7	\$49.90	\$61.89	\$73.87
Apprentice 8	\$51.41	\$64.15	\$76.89

**Sewer Relining**

SR-I	11/24/2015				
Class I-Operator of audio visual CCTV system including remote in-ground cutter and other equipment used in conjunction with CCTV system.		\$43.66	\$59.01	\$74.36	H H H H H H D N

SR-II	11/24/2015				
Class II-Operator of hot water heaters and circulation system; water jetters; and vacuum and mechanical debris removal systems and those assisting.		\$42.13	\$56.72	\$71.30	H H H H H H D N

**Sheet Metal Worker**

SHM-80	7/27/2017				
Sheet Metal Worker		\$65.75	\$84.06	\$102.36	H H D X D D D D Y

**Apprentice Rates:**

1st & 2nd Periods	\$41.56	\$49.80	\$58.03
3rd & 4th Periods	\$43.39	\$52.55	\$61.69
5th & 6th Periods	\$45.21	\$55.28	\$65.33
7th & 8th Periods	\$47.06	\$58.04	\$69.03

Official Request #: 657  
 Requestor: Livonia Public Schools  
 Project Description: To Be Determined  
 Project Number:  
 County Wayne

**Official Rate Schedule**  
**Every contractor and subcontractor shall keep posted on the construction site, in a conspicuous place, a copy of all prevailing wage and fringe benefit rates prescribed in a contract.**

**Official 2018 Commercial Prevailing Wage Rates for State Funded Projects**

**Issue Date: 5/7/2018**

**Contract must be awarded by: 8/5/2018**

**Page 28 of 31**

Classification	Last Updated	Straight Hourly	Time and a Half	Double Time	Overtime Provision
Name	Description				

*comment*

A 4 10 schedule may be worked, 4 consecutive days Monday thru Friday.

SHM-80-A	Architectural Sheet Metal Worker after 1,000 hours	10/4/2017	\$44.98	\$57.56	\$70.13	H H D H D D D D Y
	<b>Apprentice Rates:</b>					
	1st 30 Working Days		\$26.67	\$38.88	\$51.08	
	>30 working days < 1000 hours		\$43.32	\$55.53	\$67.73	

**Sprinkler Fitter**

SP 704	Sprinkler Fitter	1/16/2018	\$68.92	\$87.93	\$106.94	H H D H D D D D Y
	<b>Apprentice Rates:</b>					
	1st Period		\$29.55	\$38.52	\$47.27	
	2nd Period		\$45.16	\$55.26	\$65.10	
	3rd Period		\$47.32	\$58.54	\$69.48	
	4th Period		\$49.48	\$61.82	\$73.86	
	5th Period		\$51.64	\$65.10	\$78.22	
	6th Period		\$53.80	\$68.38	\$82.60	
	7th Period		\$55.96	\$71.66	\$86.98	
	8th Period		\$58.12	\$74.95	\$91.36	
	9th Period		\$60.28	\$72.01	\$87.44	
	10th Period		\$62.44	\$81.50	\$100.10	

*comment*

4 ten hour days allowed Monday-Friday  
 Double time pay due after 12 hours worked M-F

Official Request #: 657  
 Requestor: Livonia Public Schools  
 Project Description: To Be Determined  
 Project Number:  
 County Wayne

**Official Rate Schedule**  
**Every contractor and subcontractor shall keep posted on the construction site, in a conspicuous place, a copy of all prevailing wage and fringe benefit rates prescribed in a contract.**

**Official 2018 Commercial Prevailing Wage Rates for State Funded Projects**

**Issue Date: 5/7/2018**

**Contract must be awarded by: 8/5/2018**

**Page 29 of 31**

Classification	Last	Straight	Time and	Double	Overtime
Name Description	Updated	Hourly	a Half	Time	Provision

**Terrazzo**

BR1-TRF	10/17/2014				
Terrazzo Finisher		\$43.97	\$55.03	\$66.08	H H D H D D D D Y

**Apprentice Rates:**

Level 1	\$19.04	\$25.12	\$31.20
Level 2	\$20.24	\$26.92	\$33.60
Level 3	\$27.01	\$33.96	\$40.90
Level 4	\$28.47	\$36.14	\$43.82
Level 5	\$29.99	\$37.84	\$45.70
Level 6	\$31.61	\$39.86	\$48.10
Level 7	\$33.30	\$41.59	\$49.87
Level 8	\$34.79	\$43.48	\$52.17

*comment*

A four ten workweek may be worked Monday thru Thursday or Tuesday thru Friday.

BR1-TRW	10/17/2014				
Terrazzo Worker		\$49.73	\$63.67	\$77.60	H H D H D D D D Y

**Apprentice Rates:**

Level 1	\$25.14	\$32.65	\$40.15
Level 2	\$28.20	\$36.49	\$44.78
Level 3	\$33.41	\$41.97	\$50.53
Level 4	\$36.15	\$45.66	\$55.17
Level 5	\$38.42	\$48.17	\$57.92
Level 6	\$42.07	\$53.56	\$65.05
Level 7	\$42.74	\$54.38	\$66.02
Level 8	\$43.67	\$55.78	\$67.88

*comment*

A 4 ten workweek may be worked Monday thru Thursday or Tuesday thru

Official Request #: 657  
 Requestor: Livonia Public Schools  
 Project Description: To Be Determined  
 Project Number:  
 County Wayne

**Official Rate Schedule**  
**Every contractor and subcontractor shall keep posted on the construction site, in a conspicuous place, a copy of all prevailing wage and fringe benefit rates prescribed in a contract.**

**Official 2018 Commercial Prevailing Wage Rates for State Funded Projects**

**Issue Date: 5/7/2018**

**Contract must be awarded by: 8/5/2018**

**Page 30 of 31**

Classification	Name	Description	Last Updated	Straight Hourly	Time and a Half	Double Time	Overtime Provision
----------------	------	-------------	--------------	-----------------	-----------------	-------------	--------------------

**Tile**

BR1-TF			10/17/2014				
Tile Finisher				\$43.50	\$54.32	\$65.14	H H D H D D D D Y
		<b>Apprentice Rates:</b>					
		Level 1		\$19.04	\$25.12	\$31.20	
		Level 2		\$20.24	\$26.92	\$33.60	
		Level 3		\$27.01	\$33.96	\$40.90	
		Level 4		\$28.47	\$36.14	\$43.82	
		Level 5		\$29.99	\$37.84	\$45.70	
		Level 6		\$31.61	\$39.86	\$48.10	
		Level 7		\$33.30	\$41.59	\$49.87	
		Level 8		\$34.79	\$43.48	\$52.17	

*comment*

A four ten workweek may be worked Monday thru Thursday or Tuesday thru Friday.

BR1-TL			10/17/2014				
Tile Layer				\$49.68	\$63.59	\$77.50	H H D H D D D D Y
		<b>Apprentice Rates:</b>					
		Level 1		\$25.14	\$32.65	\$40.15	
		Level 2		\$28.20	\$36.49	\$44.78	
		Level 3		\$33.41	\$41.97	\$50.53	
		Level 4		\$36.15	\$45.66	\$55.17	
		Level 5		\$38.42	\$48.17	\$57.92	
		Level 6		\$42.07	\$53.56	\$65.05	
		Level 7		\$42.74	\$54.38	\$66.02	
		Level 8		\$43.67	\$55.78	\$67.88	

*comment*

A four ten workweek may be worked Monday thru Thursday or Tuesday thru Friday.

**Truck Driver**

TM-RB1			6/7/2016				
on all trucks of 8 cubic yard capacity or less (except dump trucks of 8 cubic yard capacity or over, tandem axle trucks, transit mix and semis, euclid type equipment, double bottoms and low boys)				\$44.10	\$48.81		H H H H H H H H Y

Official Request #: 657  
 Requestor: Livonia Public Schools  
 Project Description: To Be Determined  
 Project Number:  
 County Wayne

**Official Rate Schedule**  
**Every contractor and subcontractor shall keep posted on the construction site, in a conspicuous place, a copy of all prevailing wage and fringe benefit rates prescribed in a contract.**



**Official 2018 Commercial Prevailing Wage Rates for State Funded Projects**

**Issue Date: 5/7/2018**

**Contract must be awarded by: 8/5/2018**

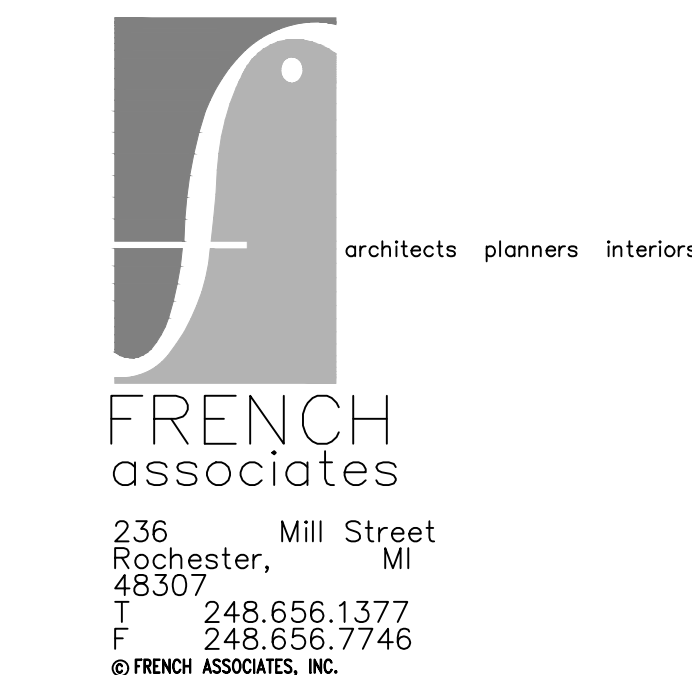
**Page 31 of 31**

<u>Classification</u>					
Name	Description	Last Updated	Straight Hourly	Time and a Half	Overtime Provision
TM-RB1A	of all trucks of 8 cubic yard capacity or over	6/7/2016	\$44.20	\$48.96	H H H H H H H Y
TM-RB1B	on euclid type equipment <i>make up day allowed</i>	6/7/2016	\$44.35	\$49.19	H H H H H H H Y

Official Request #: 657  
 Requestor: Livonia Public Schools  
 Project Description: To Be Determined  
 Project Number:  
 County Wayne

**Official Rate Schedule**  
**Every contractor and subcontractor shall keep posted on the construction site, in a conspicuous place, a copy of all prevailing wage and fringe benefit rates prescribed in a contract.**

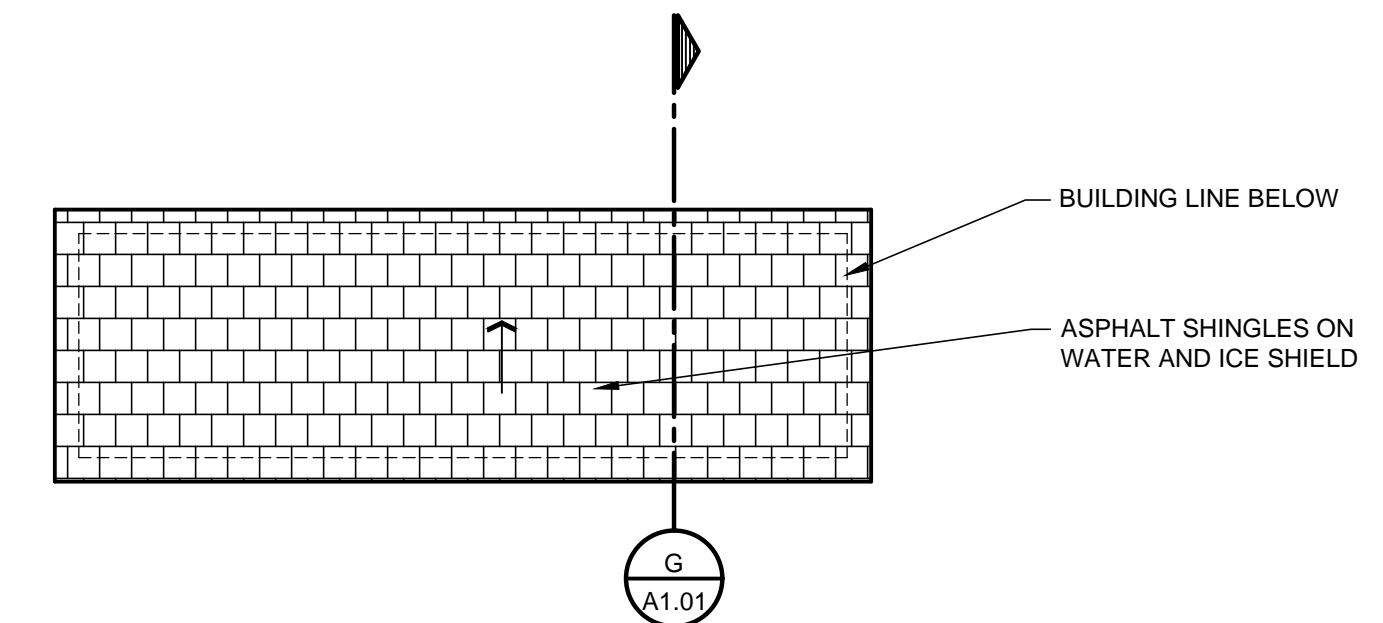




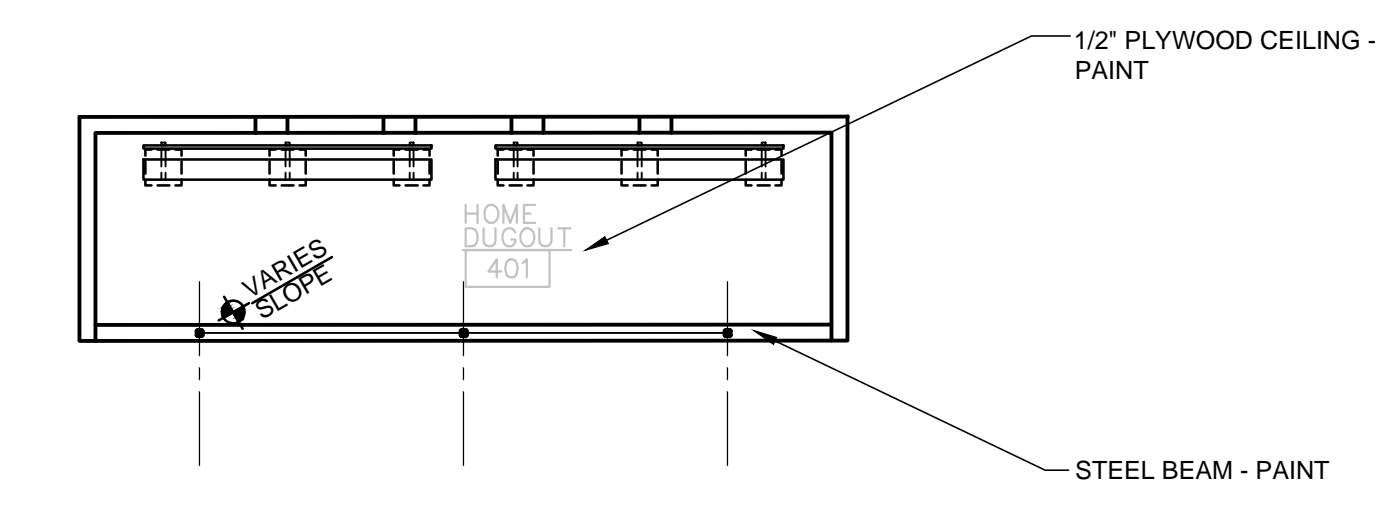
DRAWINGS ARE PROPERTY OF FORESITE DESIGN, INC. AND ARE NOT TO BE USED, REPRODUCED, OR PUBLISHED IN PART OR WHOLE, WITHOUT EXPRESSED WRITTEN PERMISSION FROM FORESITE DESIGN, INC. COPYRIGHT 2018.

SHEET TITLE  
DUGOUT PLANS,  
ELEVATIONS &  
SECTIONS

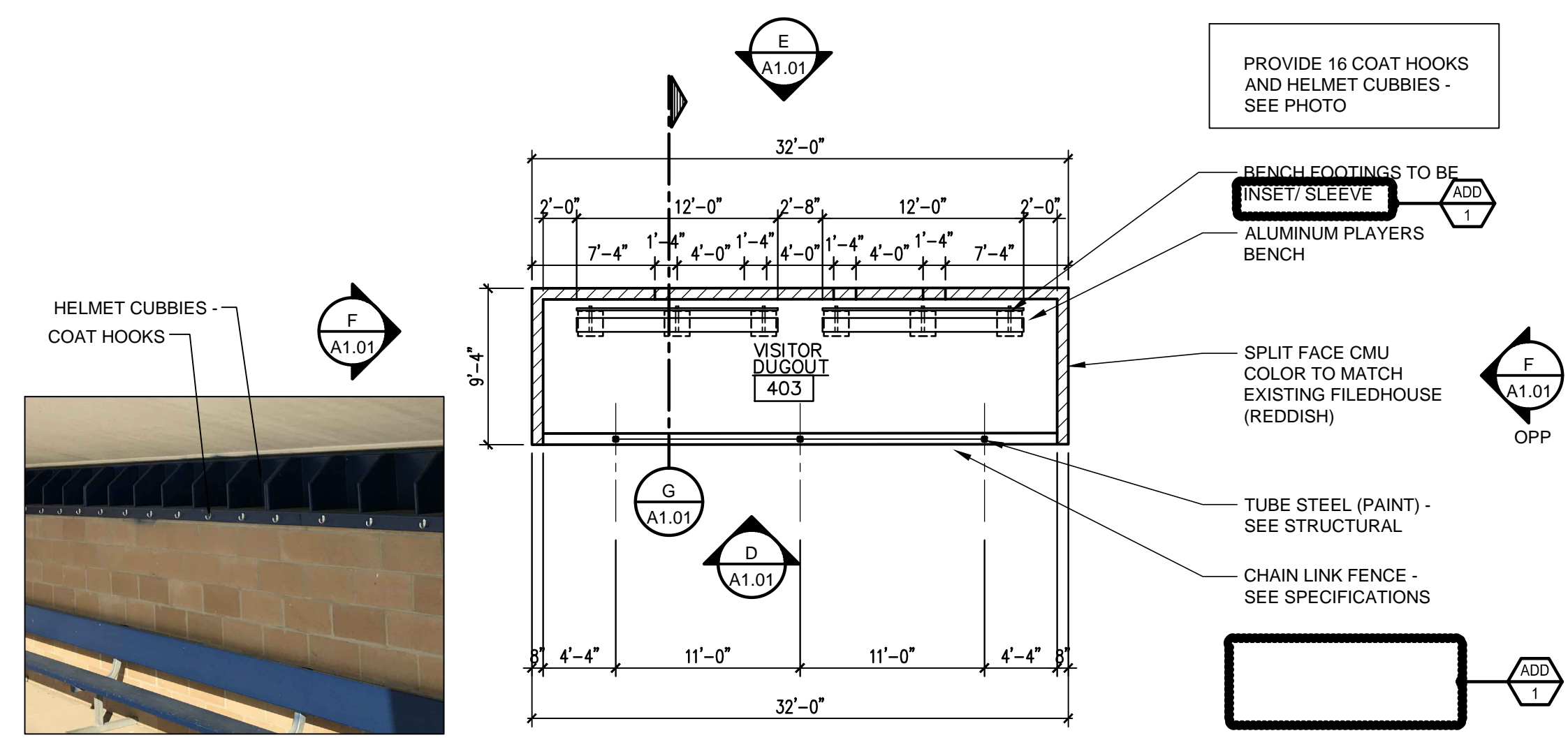
DWN. BY KRM	CHK BY PAC
DATE 7-20-2018	SCALE 1/8"=1'-0"
SHEET NO.	



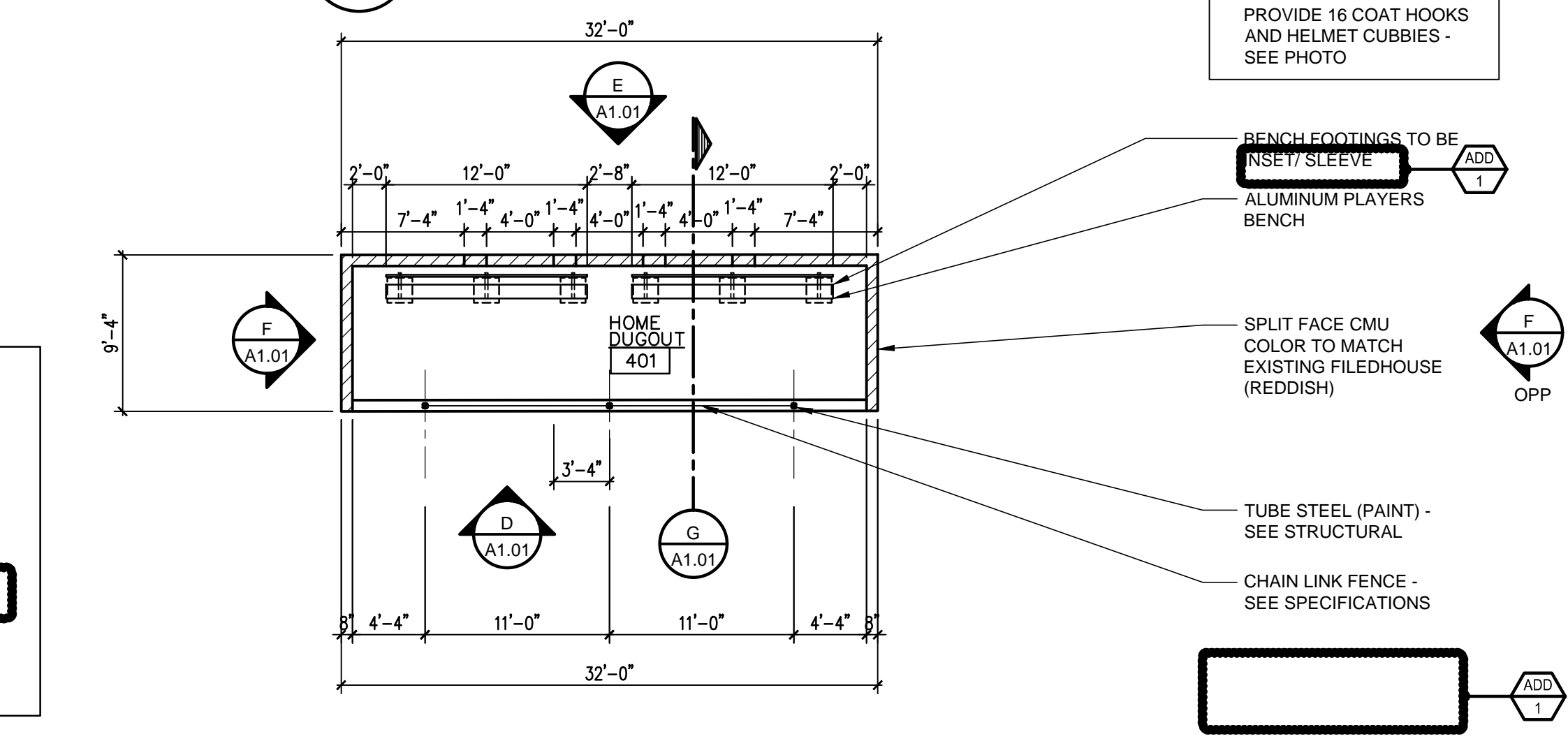
C DUGOUT BUILDING - ROOF PLAN  
VISITOR DUGOUT BUILDING - ROOF PLAN  
SCALE: 1/8" = 1'-0"



B HOME SOFTBALL DUGOUT BUILDING - REFLECTED CEILING PLAN  
VISITOR SOFTBALL DUGOUT BUILDING - REFLECTED CEILING PLAN  
SCALE: 1/8" = 1'-0"



A1 VISITOR SOFTBALL DUGOUT BUILDING - FLOOR PLAN  
SCALE: 1/8" = 1'-0"



A HOME SOFTBALL DUGOUT BUILDING - FLOOR PLAN  
SCALE: 1/8" = 1'-0"



HOME BASEBALL DUGOUT - DIMENSION 30'-0" x 9'-4"



HOME BASEBALL DUGOUT - DIMENSION 30'-0" x 9'-4"



HOME BASEBALL DUGOUT - DIMENSION 30'-0" x 9'-4"



VISITOR BASEBALL DUGOUT - DIMENSION 30'-0" x 8'-0"

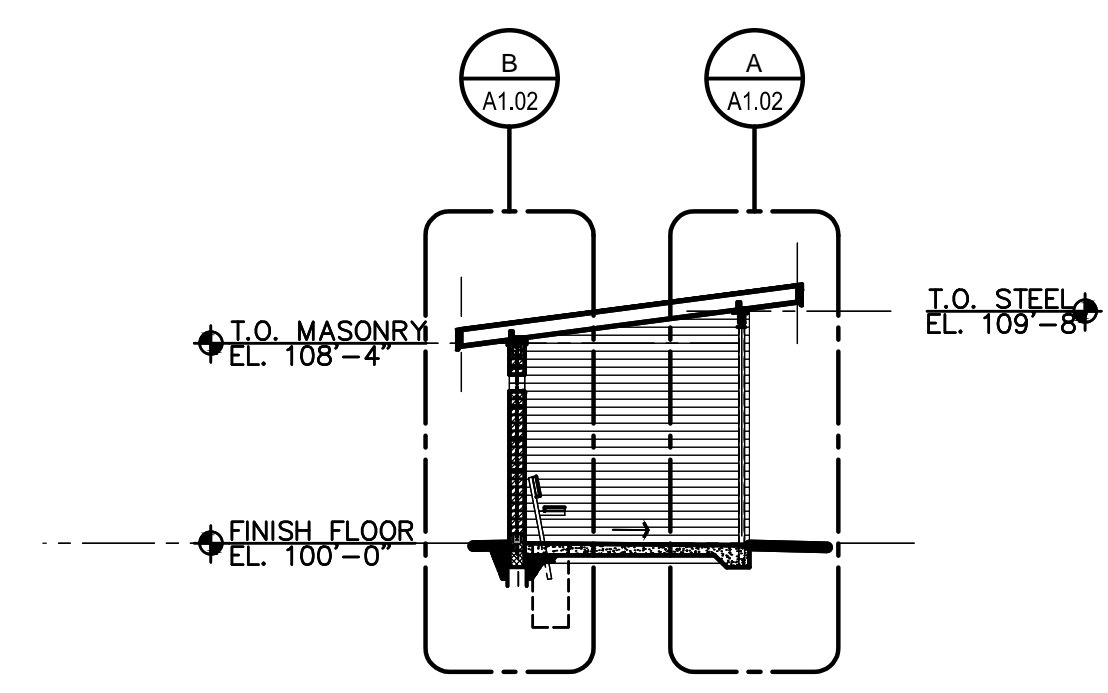


VISITOR BASEBALL DUGOUT - DIMENSION 30'-0" x 8'-0"

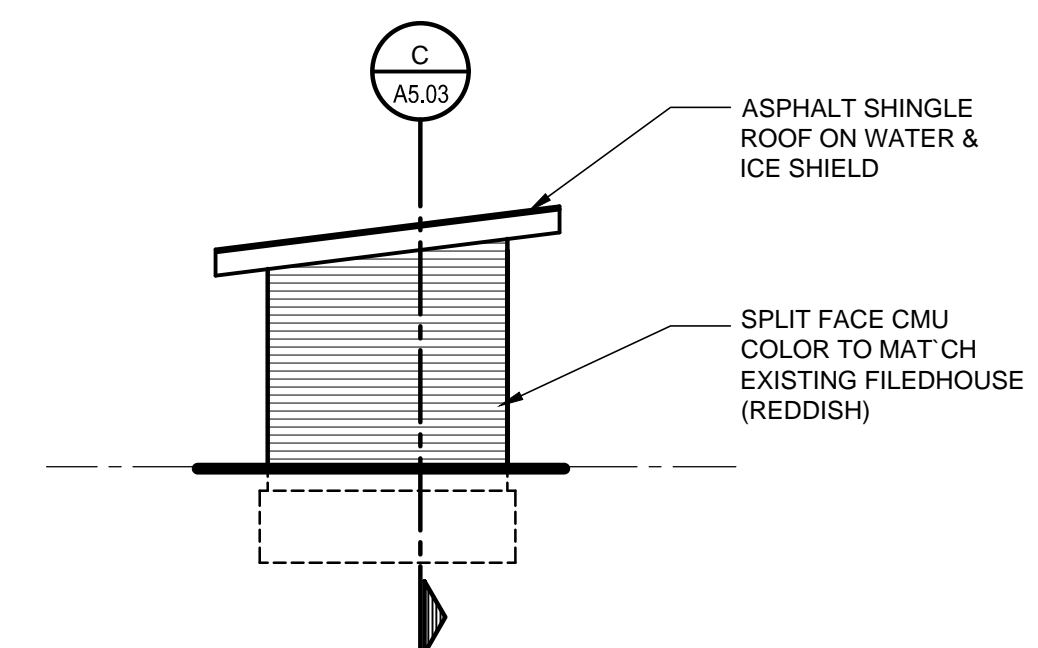


VISITOR BASEBALL DUGOUT - DIMENSION 30'-0" x 8'-0"

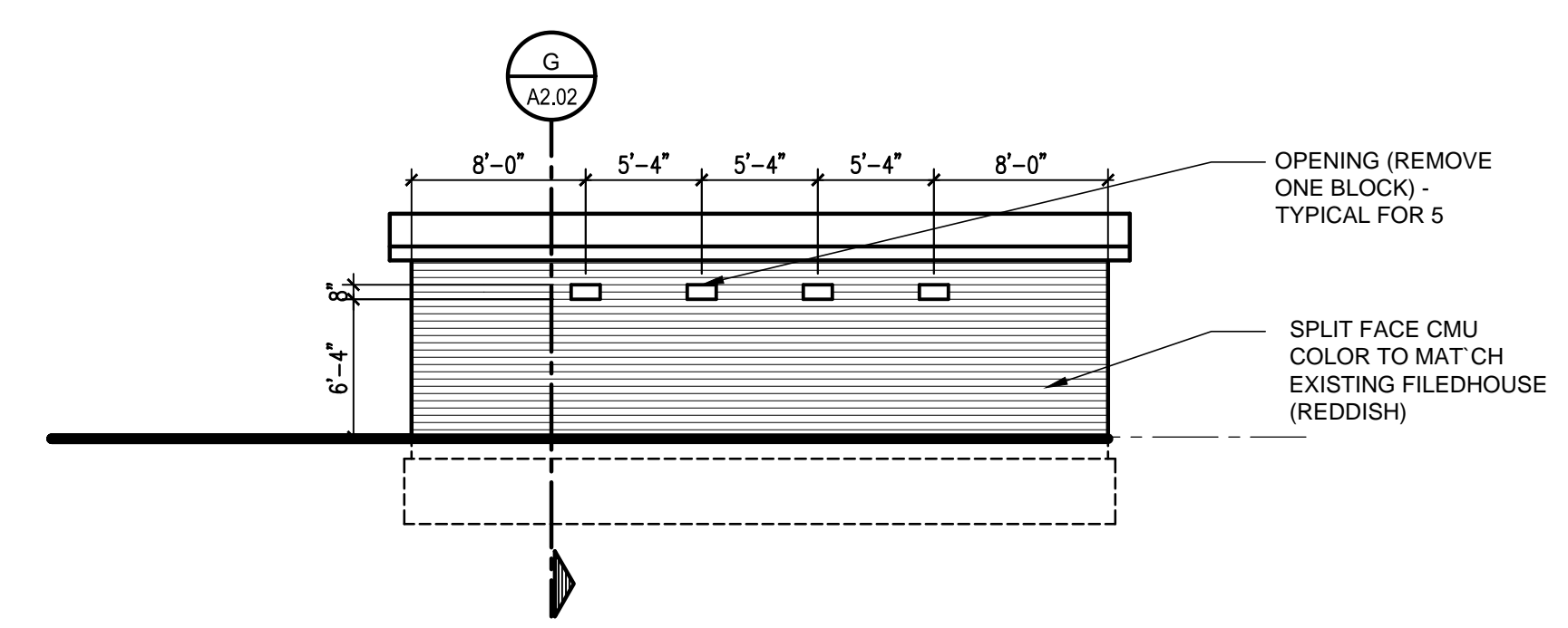
- BASEBALL DUGOUTS SCOPE OF WORK  
SCALE: N.T.S.
1. PAINT DUGOUTS AND WOOD TRIM (LOGOS WILL BE PAINTED BY OWNER)
  2. REPLACE EXISTING HM DOOR AND HM FRAME (HOME STORAGE BUILDING) WITH NEW FRP DOOR IN NEW ALUMINUM FRAME
  3. REPLACE MISCELLANEOUS METAL TRIM AND METAL STANDING SEAM ROOFING SYSTEM **REPAIR**
  4. REFER TO ATTACHED EXISTING PHOTOS **ADD 1**



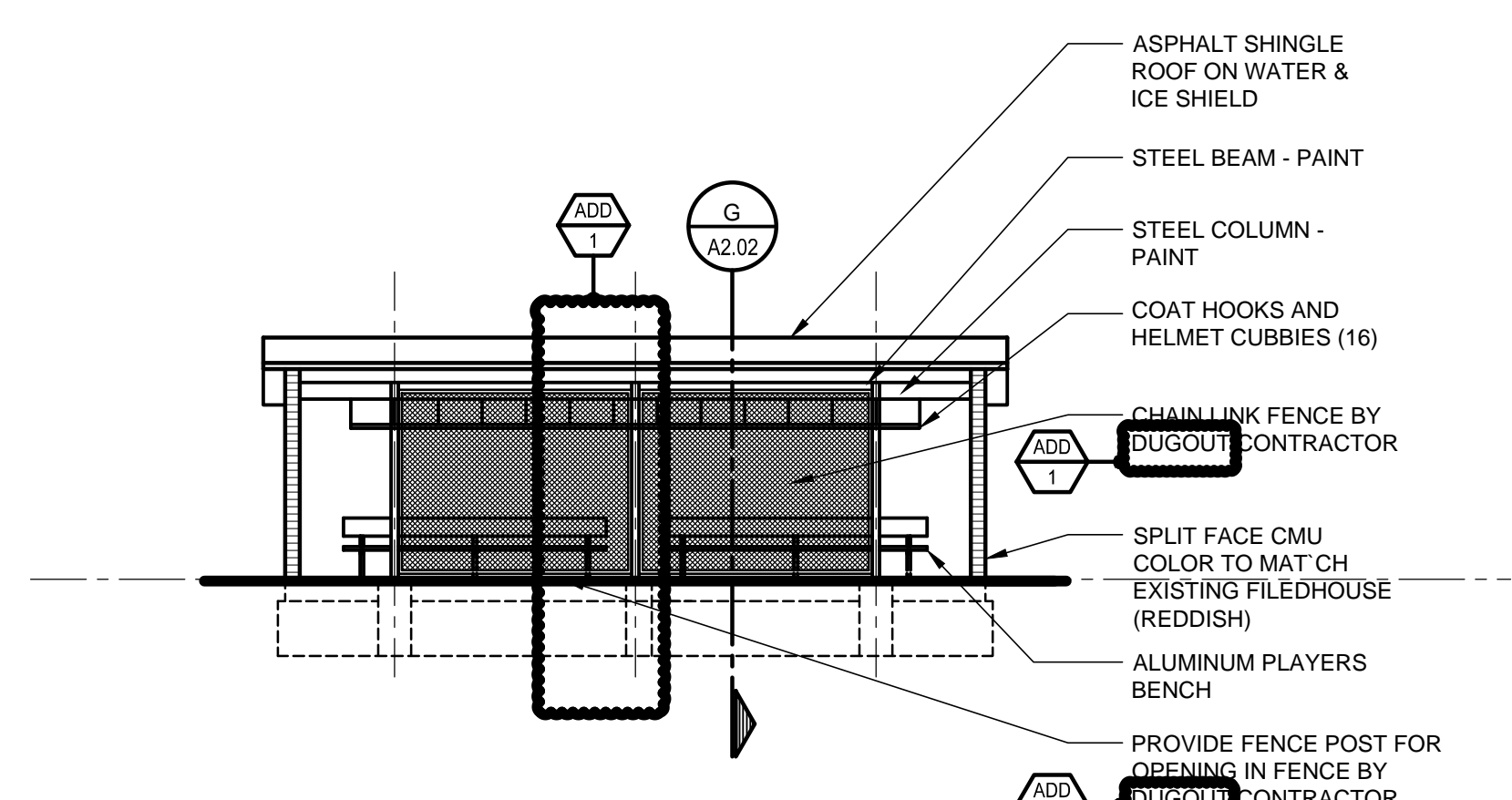
G SOFTBALL DUGOUT BUILDING - BUILDING SECTION  
SCALE: 1/8" = 1'-0"



F SOFTBALL DUGOUT BUILDING - EXTERIOR ELEVATION  
SCALE: 1/8" = 1'-0"



E HOME SOFTBALL DUGOUT BUILDING - EXTERIOR ELEVATION  
SCALE: 1/8" = 1'-0"



D HOME SOFTBALL DUGOUT BUILDING - EXTERIOR ELEVATION  
SCALE: 1/8" = 1'-0"