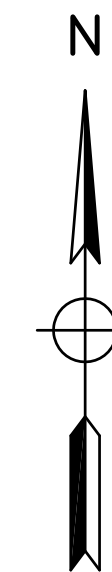
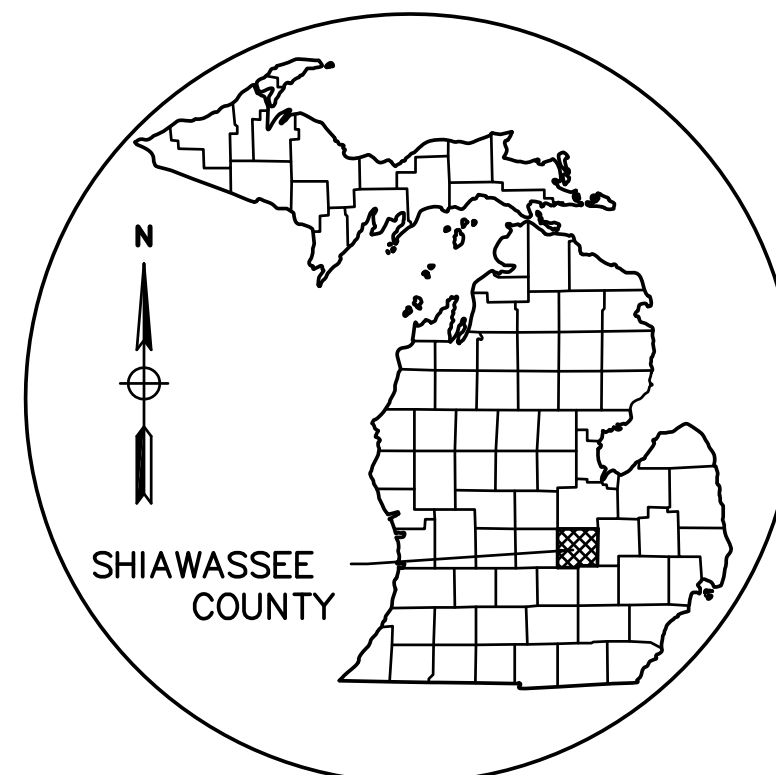


# OWOSSO PUBLIC SCHOOLS 2016 SINKING FUND PROJECTS

PLAN INDEX			
FILE NO.	DESCRIPTION	DWG. #	SHT. #
DA-1287-01	COVER SHEET	-	1
DA-1287-02	MIDDLE SCHOOL BASEMENT PLAN	A1	2
DA-1287-03	MIDDLE SCHOOL 1ST FLOOR PLAN	A2	3
DA-1287-04	MIDDLE SCHOOL 2ND & 3RD FLOOR PLAN	A3	4
DA-1287-05	DOOR KEY PLANS	A4	5
DA-1287-06	WINDOW SCHEDULES AND ELEVATIONS	A5	6
DA-1287-07	DOOR SCHEDULES AND ELEVATIONS	A6	7
DA-1287-08	DETAILS	A7	8
DA-1287-09	DETAILS	A8	9

OWNER:  
OWOSSO PUBLIC SCHOOLS  
1405 WEST NORTH STREET  
OWOSSO, MI. 48867  
TEL.: (989) 723-8131



## GENERAL NOTES

ALL PRODUCTS SHALL BE MANUFACTURER'S BEST BRAND OR GRADE AND INSTALLED AS PER MANUFACTURER'S RECOMMENDATIONS.

ALL WORK SHALL BE GUARANTEED FOR A MINIMUM OF ONE YEAR FROM THE DATE OF SUBSTANTIAL COMPLETION.

CONSTRUCT ALL MATERIALS STRAIGHT, PLUMB, AND LEVEL UNLESS SPECIFICALLY NOTED OR INDICATED OTHERWISE.

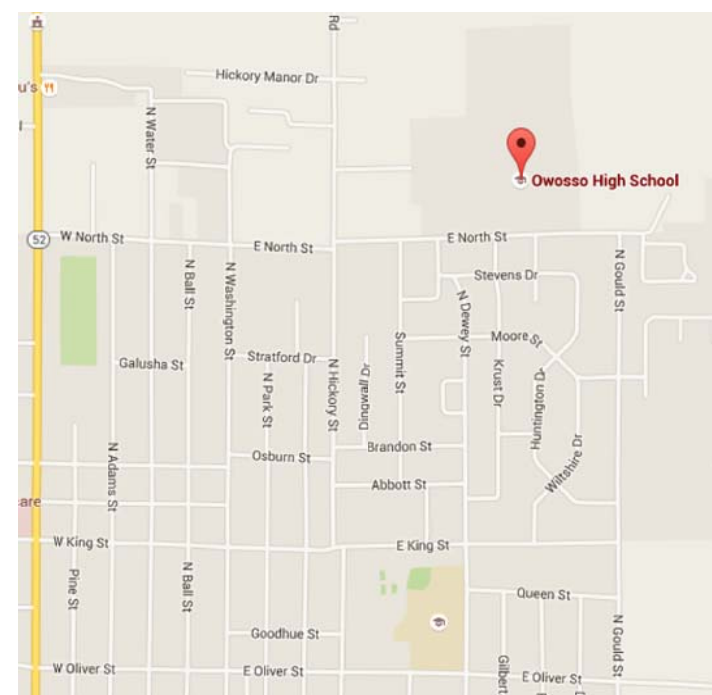
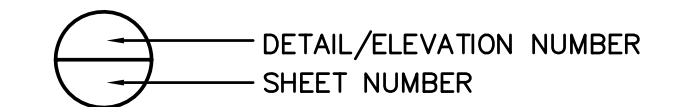
ALL WORK SHALL BE INSTALLED IN CONFORMANCE WITH FEDERAL, STATE, AND LOCAL - CODES, RULES, AND REGULATIONS.

ALL MATERIALS SHALL BE INSTALLED IN CONFORMANCE WITH INDUSTRY STANDARDS AND THE ASSOCIATION THAT PERTAINS TO THE PARTICULAR PRODUCT. FOR EXAMPLE, AISC - AMERICAN INSTITUTE FOR STEEL CONSTRUCTION.

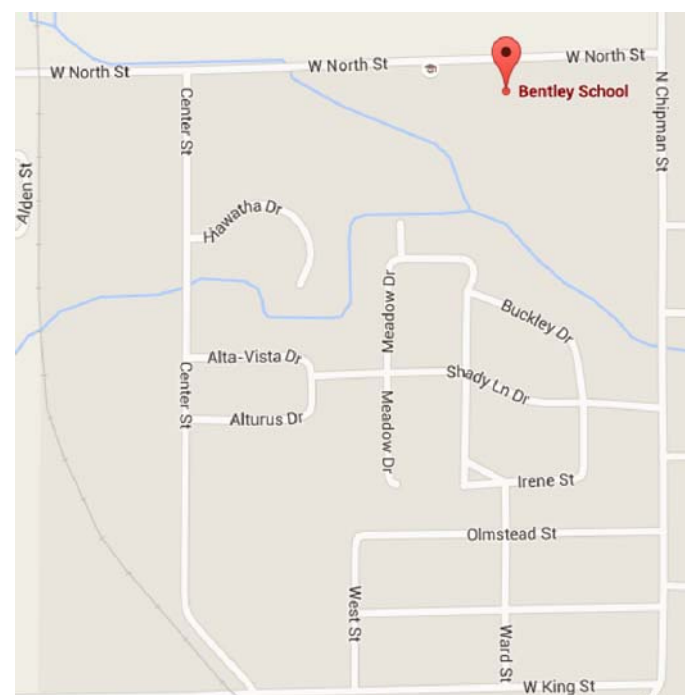
USE THE MOST CURRENT EDITION WHEN REFERRING TO INDUSTRY STANDARDS.

SITE PROTECTION: THE CONTRACTOR WILL BE RESPONSIBLE FOR PROTECTING ANY AND ALL ADJACENT EXISTING STRUCTURES AND UTILITIES DURING CONSTRUCTION. ANY DAMAGE INCURRED DURING CONSTRUCTION SHALL, AT A MINIMUM, BE RESTORED TO A STATE EQUAL TO ITS PRE-CONSTRUCTION STATE AT THE CONTRACTOR'S EXPENSE.

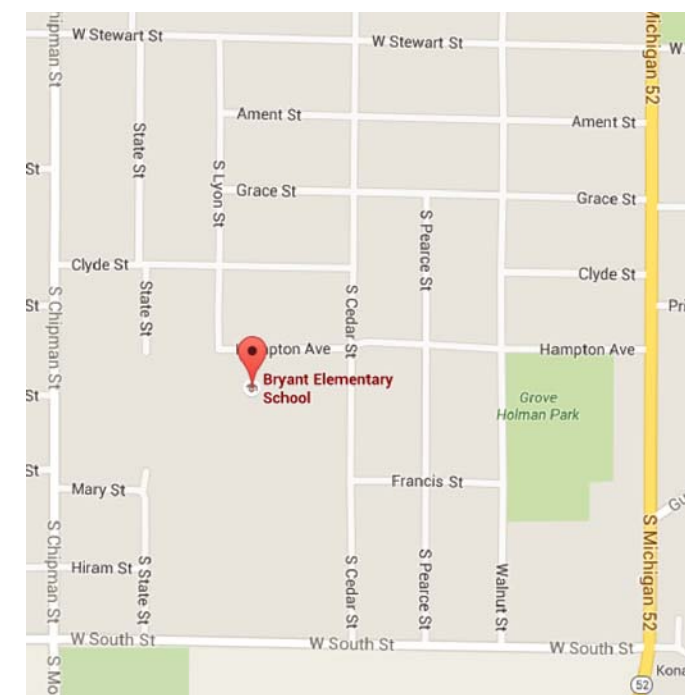
## TYPICAL DETAIL SYMBOL



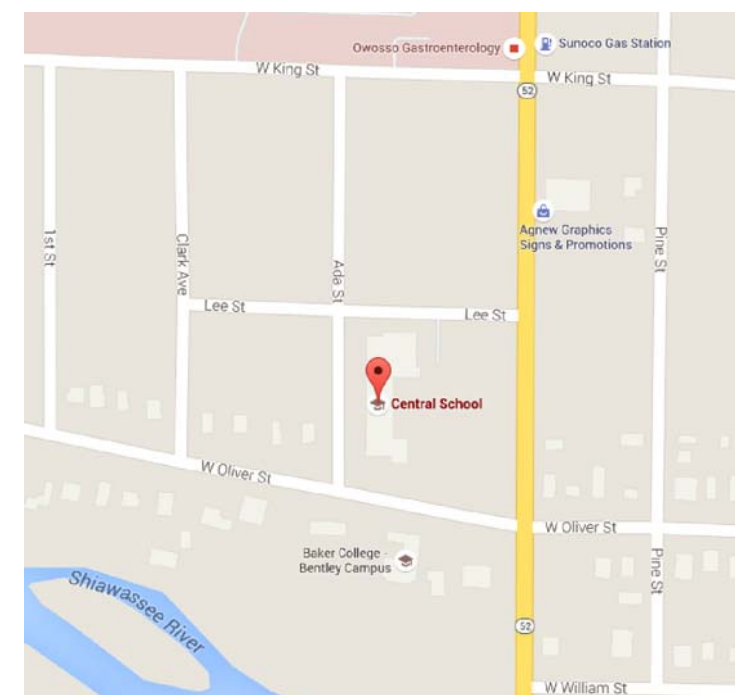
PROJECT SITE  
OWOSSO HIGH SCHOOL  
765 EAST NORTH ST.  
OWOSSO, MI. 48867



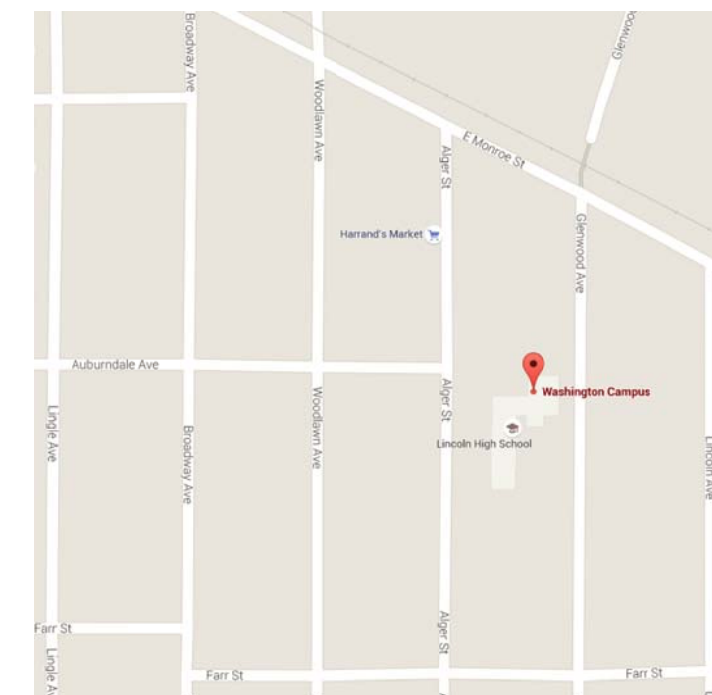
PROJECT SITE  
BENTLEY ELEMENTARY  
1375 WEST NORTH ST.  
OWOSSO, MI. 48867



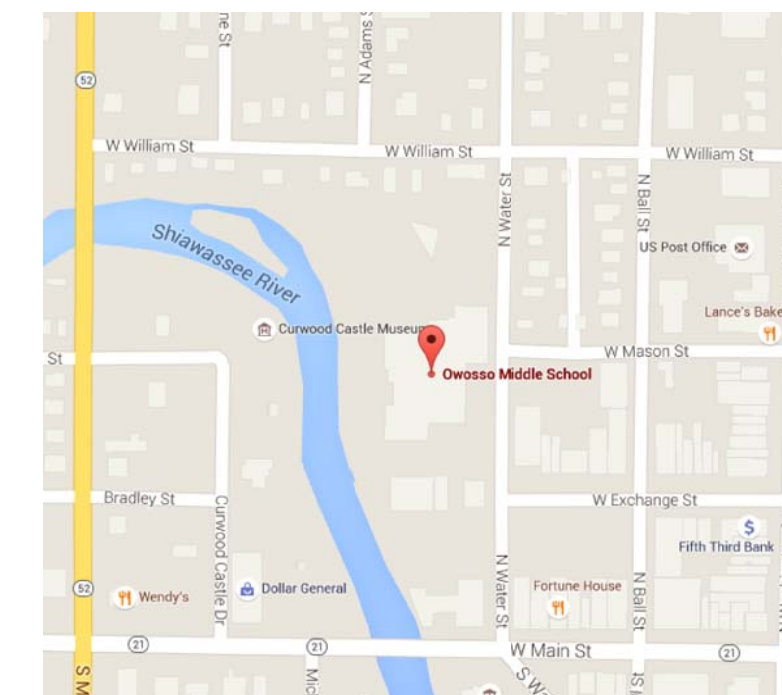
PROJECT SITE  
BRYANT ELEMENTARY  
925 HAMPTON AVE.  
OWOSSO, MI. 48867



PROJECT SITE  
CENTRAL SCHOOL  
600 WEST OLIVER ST.  
OWOSSO, MI. 48867



PROJECT SITE  
WASHINGTON SCHOOL  
645 ALGER ST.  
OWOSSO, MI. 48867

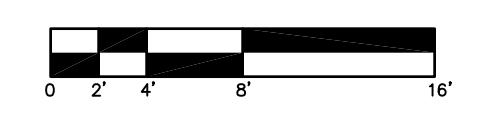
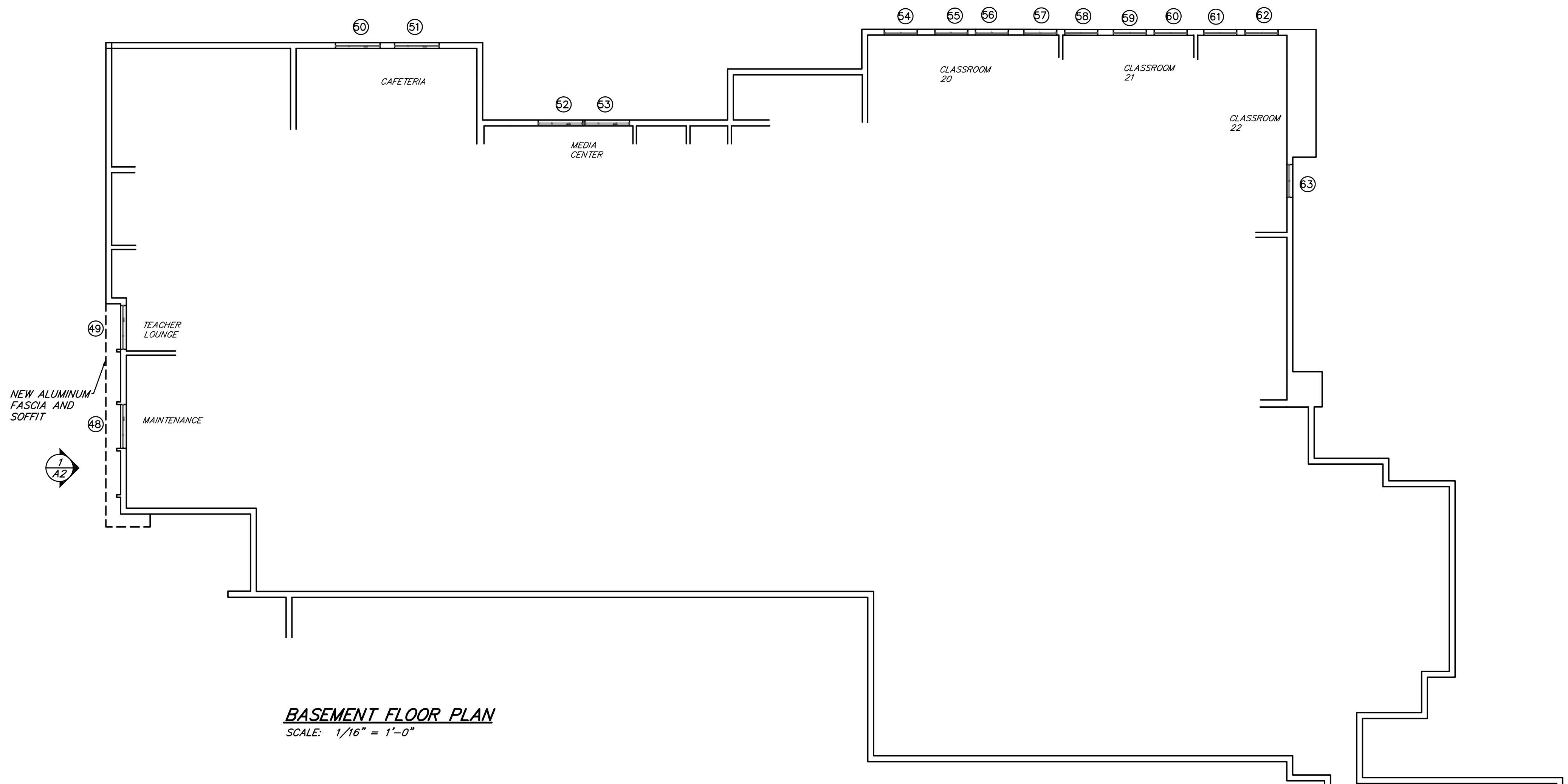


PROJECT SITE  
MIDDLE SCHOOL  
219 NORTH WATER ST.  
OWOSSO, MI. 48867

LOCATION MAPS  
CITY OF OWOSSO  
SHIAWASSEE COUNTY, MICHIGAN

BY	MARK	REVISIONS	DATE
<p>THE WORK REPRESENTED BY THIS DRAWING WAS DESIGNED BY THE ENGINEER FOR THIS SPECIFIC APPLICATION AND SPECIFIC LOCATION DESCRIBED HEREON IN ACCORDANCE WITH THE CONDITIONS PREVALENT AT THE TIME THE DESIGN WAS DONE. THE ENGINEER DOES NOT GUARANTEE AND WILL NOT BE LIABLE FOR ANY OTHER LOCATION, CONDITION, DESIGN OR PURPOSE.</p>			
<p><b>OWOSSO PUBLIC SCHOOLS</b> 2016 SINKING FUND IMPROVEMENTS</p>			
<p><b>COVER SHEET</b></p>			
<p>OFFICE LOCATIONS SAGINAW, MI ST. JOHNS, MI BELLEVILLE, MI</p>		<p>SAGINAW OFFICE 230 S. Washington Ave. Saginaw, MI 48607 Tel. 989-754-4717 Fax. 989-754-4440 www.SpicerGroup.com</p>	
<p>DE. BY: <i>DSB</i></p>		<p>CH. BY: <i>DSB</i></p>	
<p>DR. BY: <i>DSB</i></p>		<p>APP. BY: <i>DSB</i></p>	
<p>STDS.</p>		<p>PROJECT NO. <b>1231465G2015</b></p>	
<p>DATE <b>FEBRUARY 2016</b></p>		<p>SHEET <b>1</b> OF <b>9</b></p>	
<p>SCALE <b>NONE</b></p>		<p>FILE NO. <b>DA-1287-01</b></p>	





**BASEMENT FLOOR PLAN**  
SCALE: 1/16" = 1'-0"

**GENERAL NOTES:**

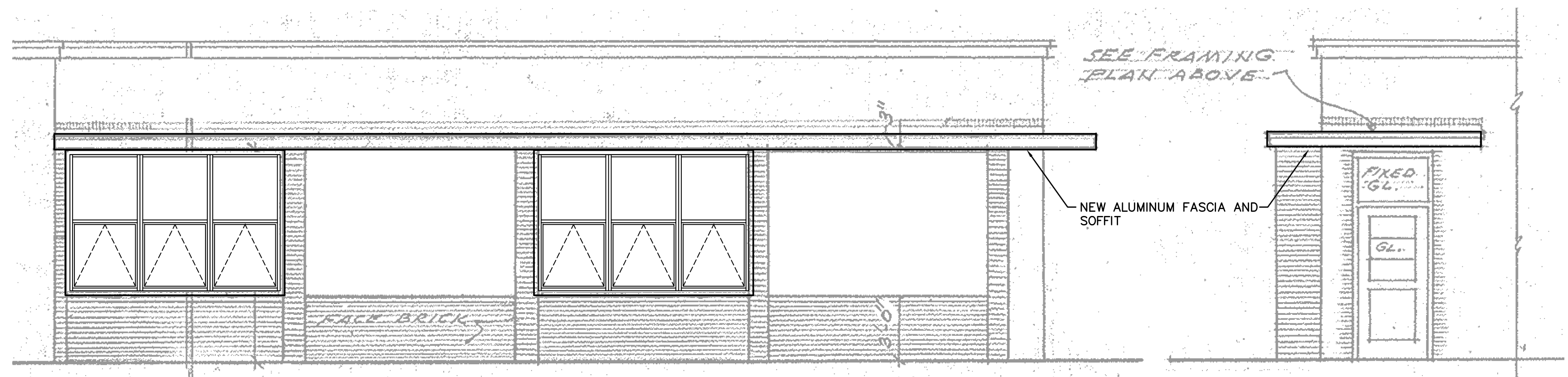
1. - ALL PRODUCTS SHALL BE MANUFACTURER'S BEST BRAND OR GRADE AND INSTALLED AS PER MANUFACTURER'S RECOMMENDATIONS.
2. - ALL WORK SHALL BE GUARANTEED FOR A MINIMUM OF 12 MONTHS FROM THE DATE OF SUBSTANTIAL COMPLETION.
3. - CONSTRUCT ALL MATERIALS STRAIGHT, PLUM AND LEVEL UNLESS SPECIFICALLY NOTED OR INDICATED OTHERWISE.
4. - ALL WORK SHALL BE INSTALLED IN CONFORMANCE WITH INDUSTRY STANDARDS AND THE ASSOCIATION THAT PERTAINS TO THE PARTICULAR PRODUCT. FOR EXAMPLE, AISC - AMERICAN INSTITUTE FOR STEEL CONSTRUCTION.
5. - USE THE MOST CURRENT EDITION WHEN REFERRING TO INDUSTRY STANDARDS.
6. - THE PROFESSIONAL SHALL MAKE THE FINAL DETERMINATION IN REGARDS TO DRAWINGS, INTERPRETATION OF INDUSTRY STANDARDS AND CONFLICTS WITH MANUFACTURER'S REQUIREMENTS.
7. - SUBMIT MANUFACTURER'S DATA SUBJECT TO REVIEW AND APPROVAL BY THE PROFESSIONAL AND OWNER.
8. - CONTRACTOR IS RESPONSIBLE FOR ALL PERMITS.
9. - ATTACH ALL WINDOW SYSTEMS PER MANUFACTURER'S RECOMMENDATIONS.

**DEMOLITION NOTES:**

1. - REMOVE EXISTING WINDOW UNITS SHOWN TO BE REPLACED.

**CONSTRUCTION NOTES:**

1. - CONTRACTOR SHALL VERIFY ALL DIMENSIONS AND COORDINATE WITH WINDOW MANUFACTURE TO INSURE PROPER INSTALLATION.
2. - ALL WINDOW LINTELS SHALL BE CLEANED, REPAIRED AND PAINTED PRIOR TO WINDOW INSTALLATION.

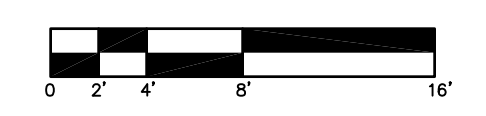
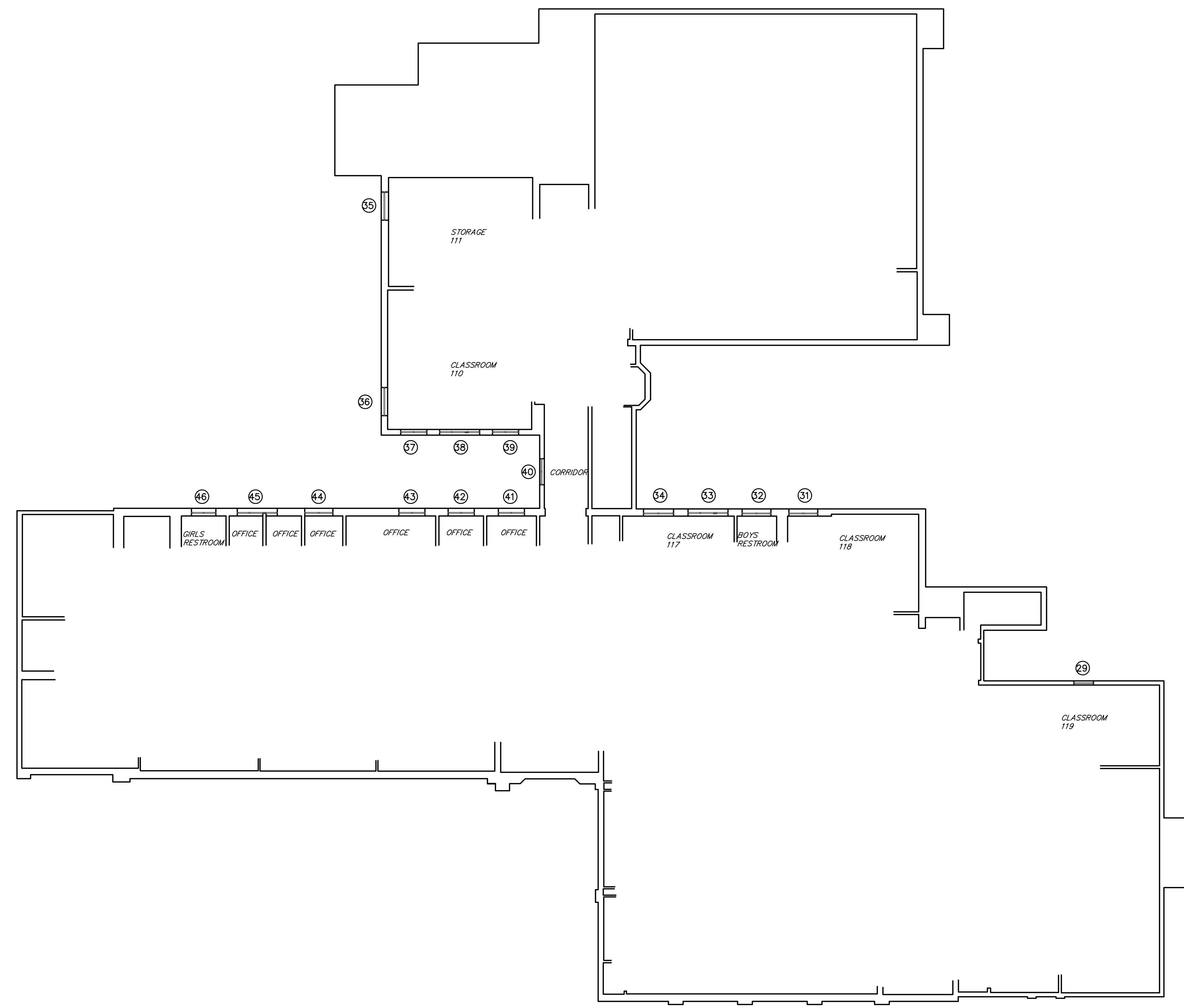


**PARTIAL ELEVATION**  
SCALE: 1/4" = 1'-0"

BY	MARK	REVISIONS	DATE
<small>THE WORK REPRESENTED BY THIS DRAWING WAS DESIGNED BY THE ENGINEER FOR THIS SPECIFIC APPLICATION AND SPECIFIC LOCATION DESCRIBED HEREON IN ACCORDANCE WITH THE CONDITIONS PREVALENT AT THE TIME THE DESIGN WAS DONE. THE ENGINEER DOES NOT GUARANTEE AND WILL NOT BE LIABLE FOR ANY OTHER LOCATION, CONDITION, DESIGN OR PURPOSE.</small>			
<b>MIDDLE SCHOOL WINDOW REPLACEMENT OWOSSO PUBLIC SCHOOLS 2016 SINKING FUND IMPROVEMENTS</b>			
<b>BASEMENT FLOOR PLAN</b>			
		<small>SAGINAW OFFICE 230 S. Washington Ave. Saginaw, MI 48607 Tel. 989-754-4717 Fax. 989-754-4440 www.SpicerGroup.com</small>	
DE. BY: DSB	CH. BY: RRE	PROJECT NO.	
DR. BY: DSB	APP. BY: RRE	123146SG2015	
STDS.	SHEET 2 OF 9	A	
DATE FEBRUARY, 2016	FILE NO.	1	
SCALE 1/8" = 1'-0"	DA -1287-02		

PLOTTING SCALE: 1/8" = 1'-0"  
 RET. F.B. PC. ACAD FILE: DA or DPL \*\*\*\*\*

PLOTING SCALE: 1/8" = 1'-0" RET. F.B. PC. ACAD FILE: DA or DPL\*\*\*\*\*



**FIRST FLOOR PLAN**  
SCALE: 1/16" = 1'-0"

**GENERAL NOTES:**


1. - ALL PRODUCTS SHALL BE MANUFACTURER'S BEST BRAND OR GRADE AND INSTALLED AS PER MANUFACTURER'S RECOMMENDATIONS.
2. - ALL WORK SHALL BE GUARANTEED FOR A MINIMUM OF 12 MONTHS FROM THE DATE OF SUBSTANTIAL COMPLETION.
3. - CONSTRUCT ALL MATERIALS STRAIGHT, PLUM AND LEVEL UNLESS SPECIFICALLY NOTED OR INDICATED OTHERWISE.
4. - ALL WORK SHALL BE INSTALLED IN CONFORMANCE WITH INDUSTRY STANDARDS AND THE ASSOCIATION THAT PERTAINS TO THE PARTICULAR PRODUCT. FOR EXAMPLE, AISC - AMERICAN INSTITUTE FOR STEEL CONSTRUCTION.
5. - USE THE MOST CURRENT EDITION WHEN REFERRING TO INDUSTRY STANDARDS.
6. - THE PROFESSIONAL SHALL MAKE THE FINAL DETERMINATION IN REGARDS TO DRAWINGS, INTERPRETATION OF INDUSTRY STANDARDS AND CONFLICTS WITH MANUFACTURER'S REQUIREMENTS.
7. - SUBMIT MANUFACTURER'S DATA SUBJECT TO REVIEW AND APPROVAL BY THE PROFESSIONAL AND OWNER.
8. - CONTRACTOR IS RESPONSIBLE FOR ALL PERMITS.
9. - ATTACH ALL WINDOW SYSTEMS PER MANUFACTURER'S RECOMMENDATIONS.

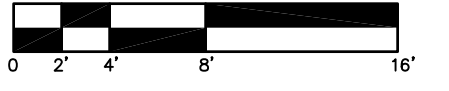
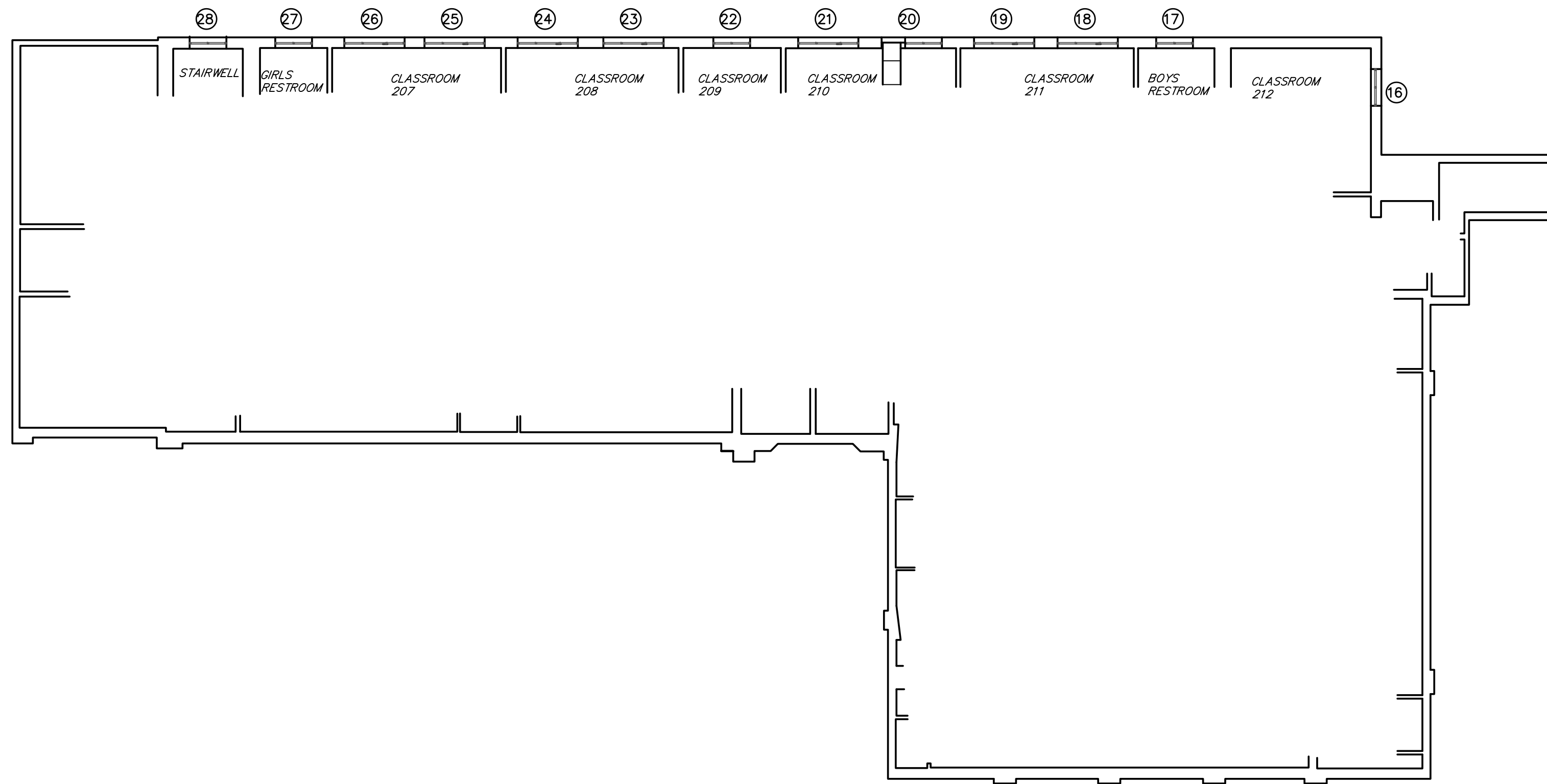
**DEMOLITION NOTES:**

1. - REMOVE EXISTING WINDOW UNITS SHOWN TO BE REPLACED.

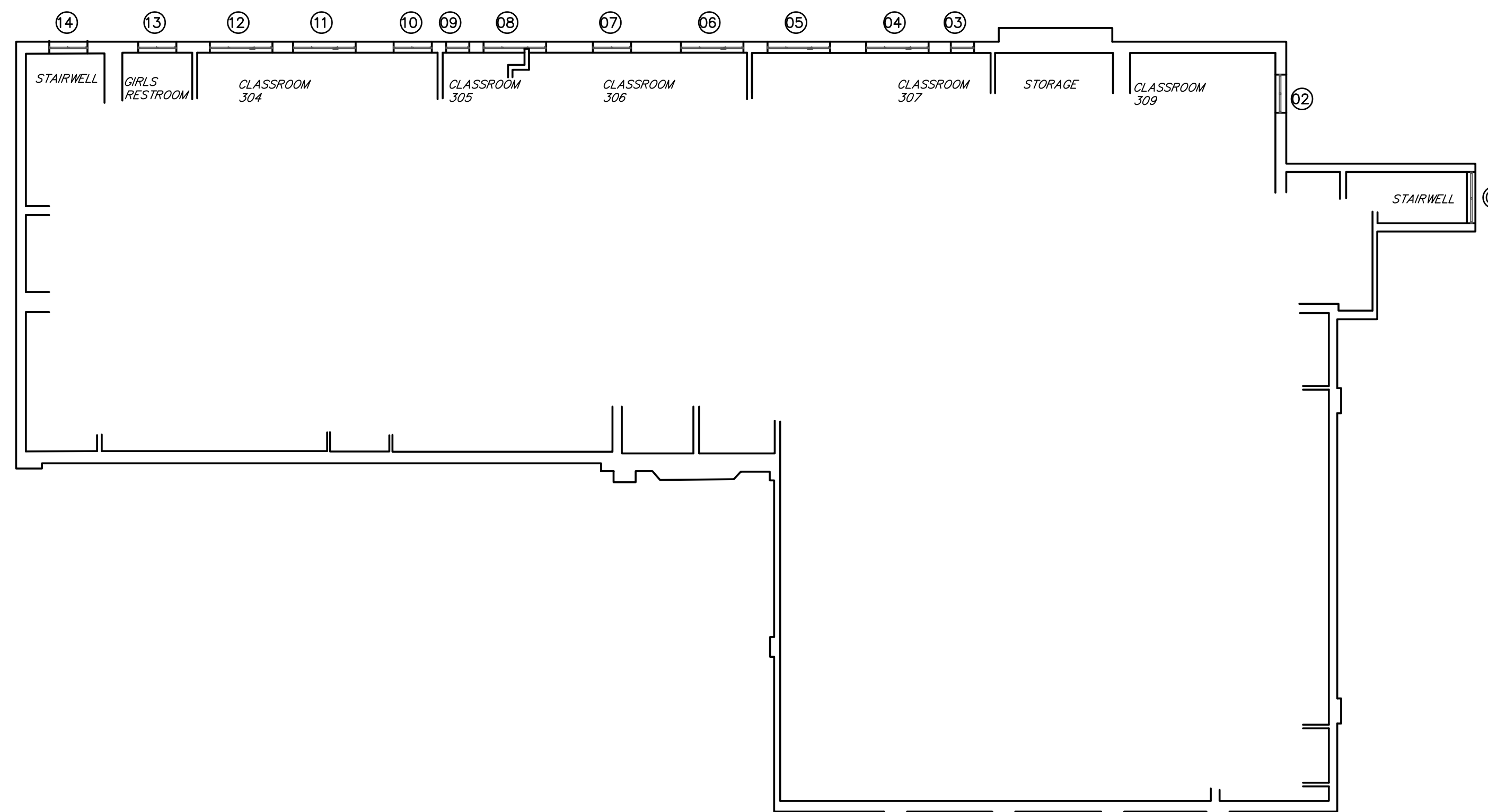
**CONSTRUCTION NOTES:**

1. - CONTRACTOR SHALL VERIFY ALL DIMENSIONS AND COORDINATE WITH WINDOW MANUFACTURE TO INSURE PROPER INSTALLATION.
2. - ALL WINDOW LINTELS SHALL BE CLEANED, REPAIRED AND PAINTED PRIOR TO WINDOW INSTALLATION.

BY	MARK	REVISIONS	DATE
<small>THE WORK REPRESENTED BY THIS DRAWING WAS DESIGNED BY THE ENGINEER FOR THIS SPECIFIC APPLICATION AND SPECIFIC LOCATION DESCRIBED HEREON IN ACCORDANCE WITH THE CONDITIONS PREVALENT AT THE TIME THE DESIGN WAS DONE. THE ENGINEER DOES NOT GUARANTEE AND WILL NOT BE LIABLE FOR ANY OTHER LOCATION, CONDITION, DESIGN OR PURPOSE.</small>			
<b>MIDDLE SCHOOL WINDOW REPLACEMENT OWOSSO PUBLIC SCHOOLS 2016 SINKING FUND IMPROVEMENTS</b>			
<b>FIRST FLOOR PLAN</b>			
		<small>SAGINAW OFFICE 230 S. Washington Ave. Saginaw, MI 48607 Tel. 989-754-4717 Fax. 989-754-4440 www.SpicerGroup.com</small>	
DE. BY: DSB	CH. BY: RRE	PROJECT NO.	
DR. BY: DSB	APP. BY: RRE	123146SG2015	
STDS.	SHEET 3 OF 9	A	
DATE FEBRUARY, 2016	FILE NO.	2	
SCALE 1/8" = 1'-0"	DA -1287-03		



**SECOND FLOOR PLAN**  
SCALE: 1/16" = 1'-0"



**THIRD FLOOR PLAN**  
SCALE: 1/16" = 1'-0"

**GENERAL NOTES:**


1. - ALL PRODUCTS SHALL BE MANUFACTURER'S BEST BRAND OR GRADE AND INSTALLED AS PER MANUFACTURER'S RECOMMENDATIONS.
2. - ALL WORK SHALL BE GUARANTEED FOR A MINIMUM OF 12 MONTHS FROM THE DATE OF SUBSTANTIAL COMPLETION.
3. - CONSTRUCT ALL MATERIALS STRAIGHT, PLUM AND LEVEL UNLESS SPECIFICALLY NOTED OR INDICATED OTHERWISE.
4. - ALL WORK SHALL BE INSTALLED IN CONFORMANCE WITH INDUSTRY STANDARDS AND THE ASSOCIATION THAT PERTAINS TO THE PARTICULAR PRODUCT. FOR EXAMPLE, AISC - AMERICAN INSTITUTE FOR STEEL CONSTRUCTION.
5. - USE THE MOST CURRENT EDITION WHEN REFERRING TO INDUSTRY STANDARDS.
6. - THE PROFESSIONAL SHALL MAKE THE FINAL DETERMINATION IN REGARDS TO DRAWINGS, INTERPRETATION OF INDUSTRY STANDARDS AND CONFLICTS WITH MANUFACTURER'S REQUIREMENTS.
7. - SUBMIT MANUFACTURER'S DATA SUBJECT TO REVIEW AND APPROVAL BY THE PROFESSIONAL AND OWNER.
8. - CONTRACTOR IS RESPONSIBLE FOR ALL PERMITS.
9. - ATTACH ALL WINDOW SYSTEMS PER MANUFACTURER'S RECOMMENDATIONS.

**DEMOLITION NOTES:**

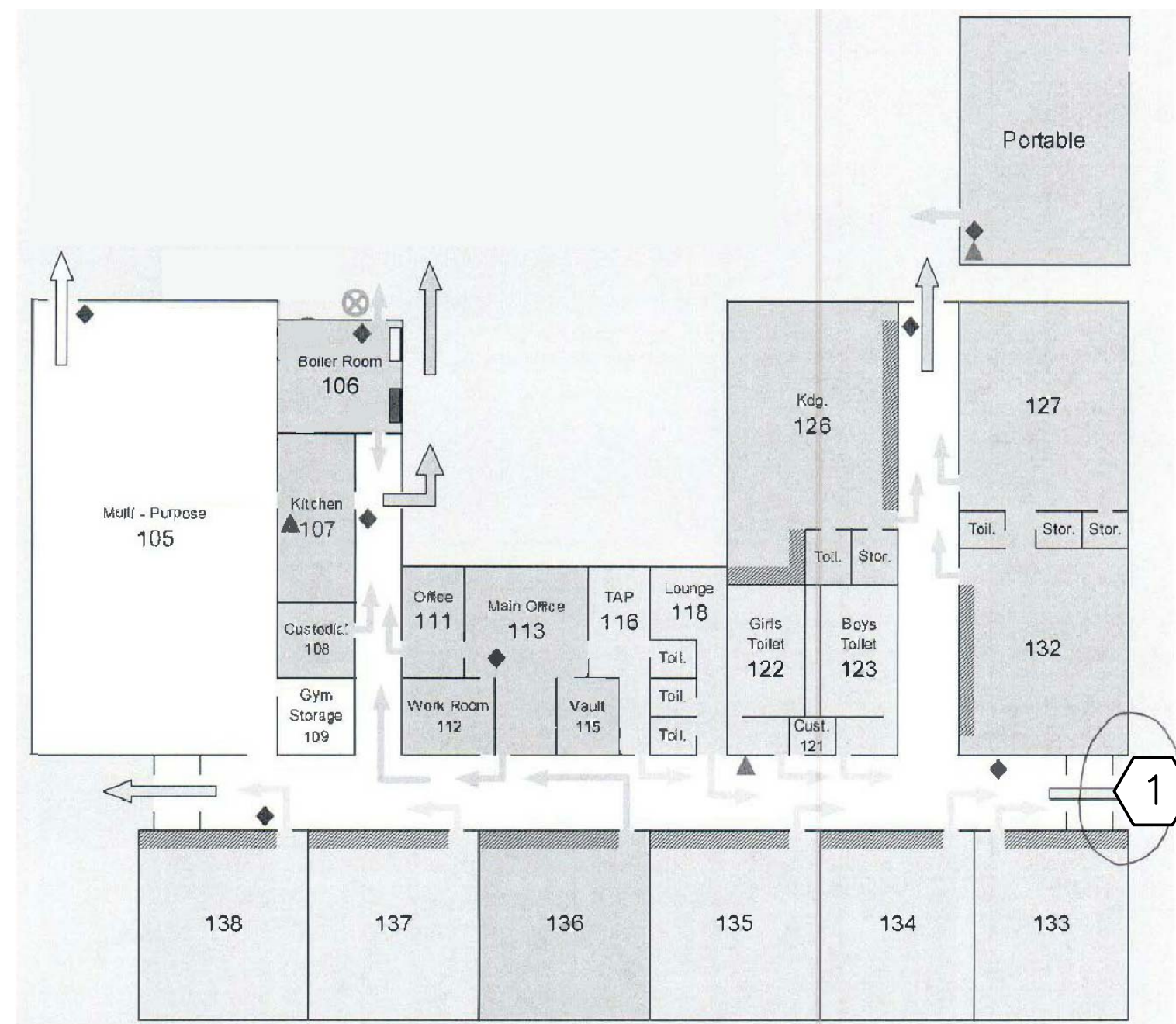
1. - REMOVE EXISTING WINDOW UNITS SHOWN TO BE REPLACED.

**CONSTRUCTION NOTES:**

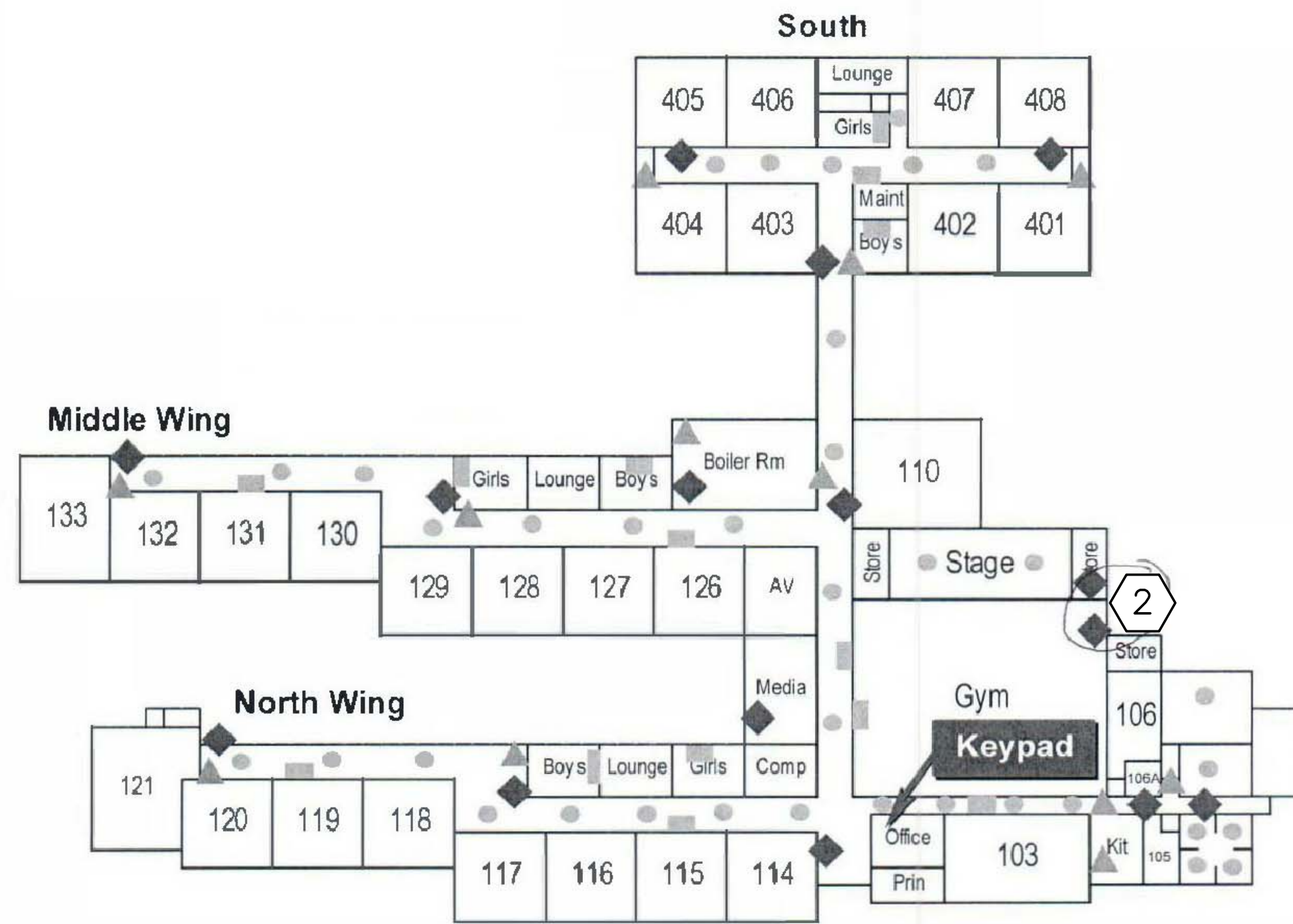
1. - CONTRACTOR SHALL VERIFY ALL DIMENSIONS AND COORDINATE WITH WINDOW MANUFACTURE TO INSURE PROPER INSTALLATION.
2. - ALL WINDOW LINTELS SHALL BE CLEANED, REPAIRED AND PAINTED PRIOR TO WINDOW INSTALLATION.

BY	MARK	REVISIONS	DATE
<small>THE WORK REPRESENTED BY THIS DRAWING WAS DESIGNED BY THE ENGINEER FOR THIS SPECIFIC APPLICATION AND SPECIFIC LOCATION DESCRIBED HEREON IN ACCORDANCE WITH THE CONDITIONS PREVALENT AT THE TIME THE DESIGN WAS DONE. THE ENGINEER DOES NOT GUARANTEE AND WILL NOT BE LIABLE FOR ANY OTHER LOCATION, CONDITION, DESIGN OR PURPOSE.</small>			
<b>MIDDLE SCHOOL WINDOW REPLACEMENT OWOSSO PUBLIC SCHOOLS 2016 SINKING FUND IMPROVEMENTS</b>			
<b>SECOND AND THIRD FLOOR PLAN</b>			
		<small>SAGINAW OFFICE 230 S. Washington Ave. Saginaw, MI 48607 Tel. 989-754-4717 Fax. 989-754-4440 www.SpicerGroup.com</small>	
DE. BY: DSB	CH. BY: RRE	PROJECT NO.	
DR. BY: DSB	APP. BY: RRE	123146SG2015	
STDS.	SHEET 4 OF 9	A	
DATE FEBRUARY, 2016	FILE NO.	3	
SCALE 1/8" = 1'-0"	DA -1287-04		

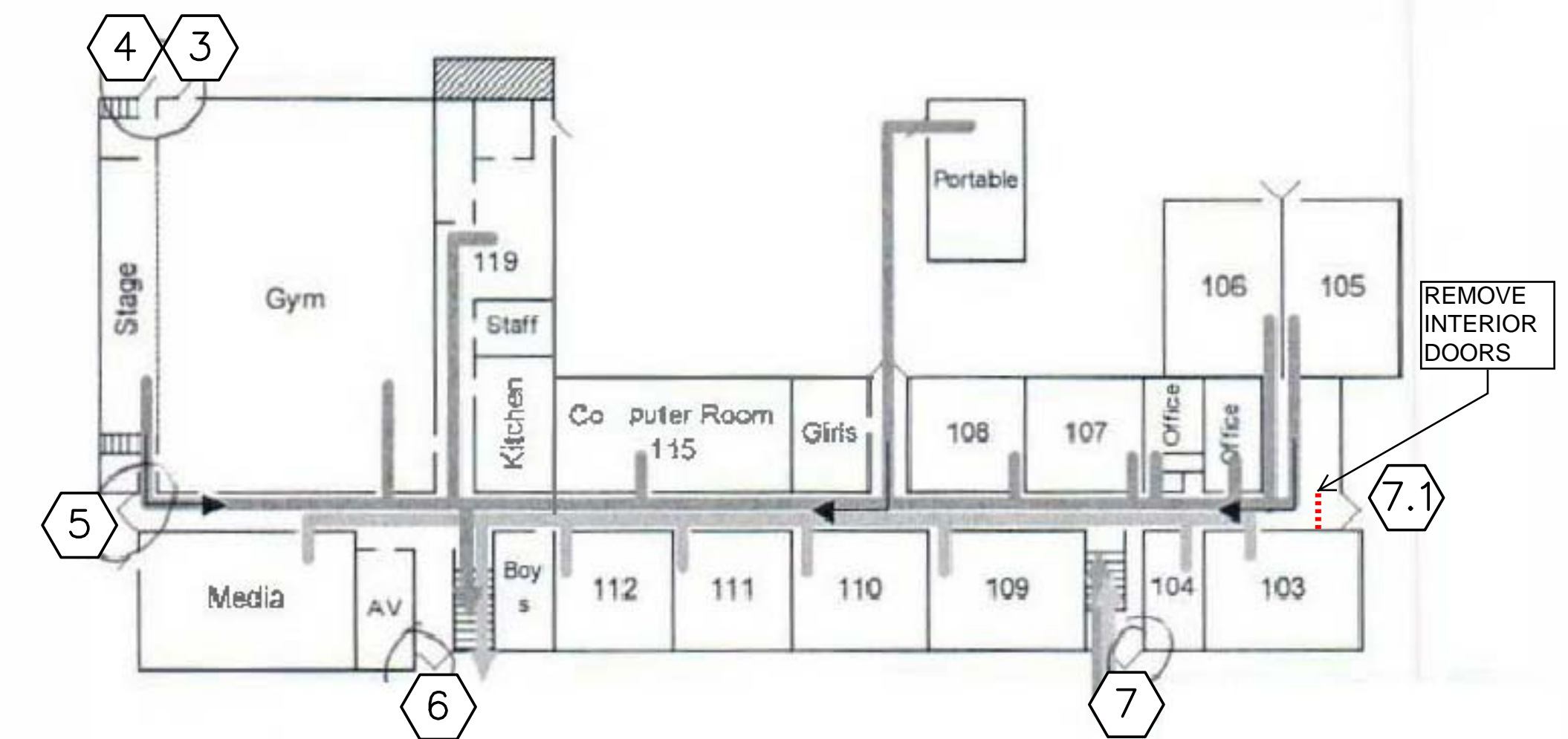




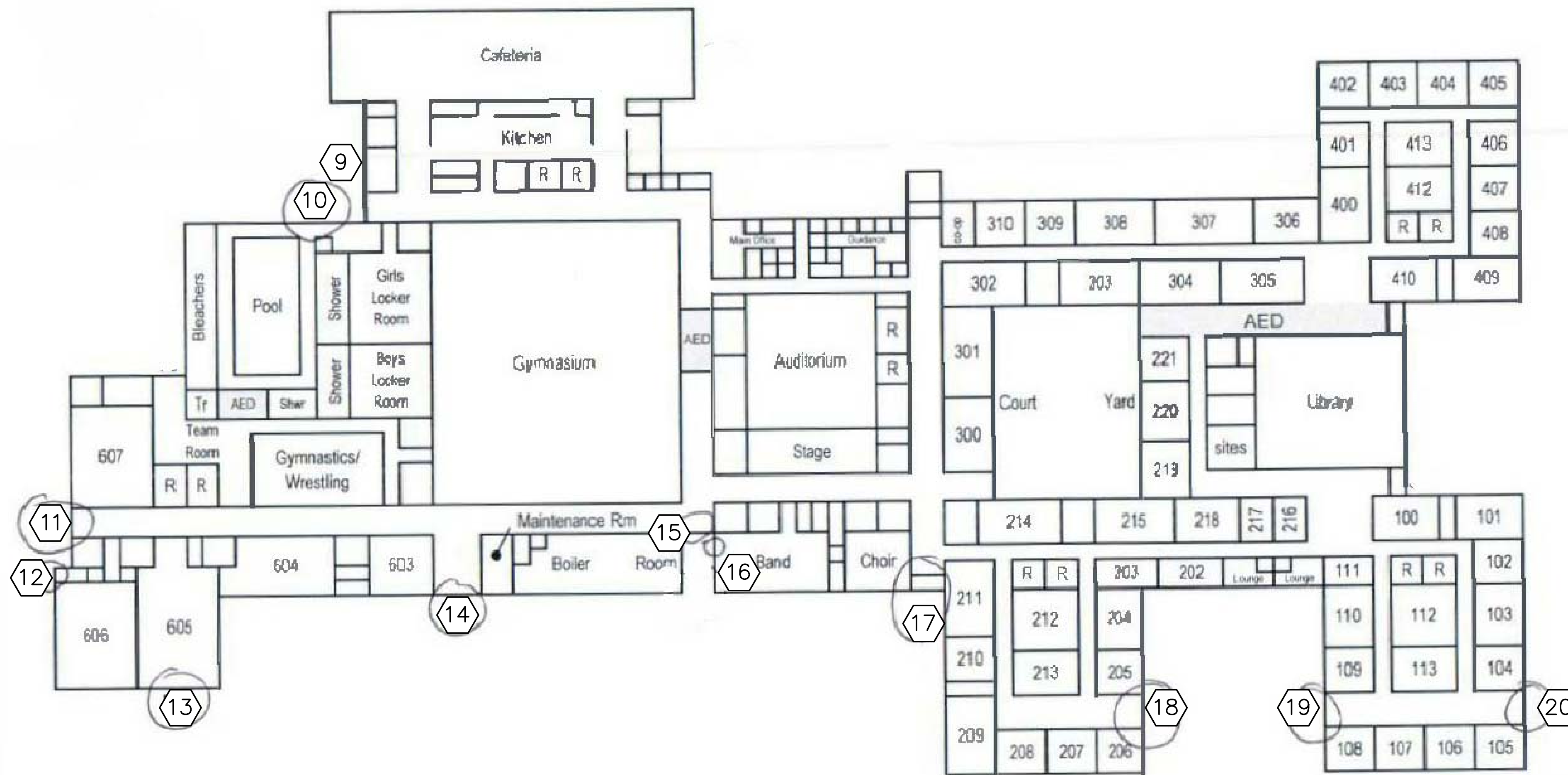
**BENTLEY ELEMENTARY**  
SCALE: NTS



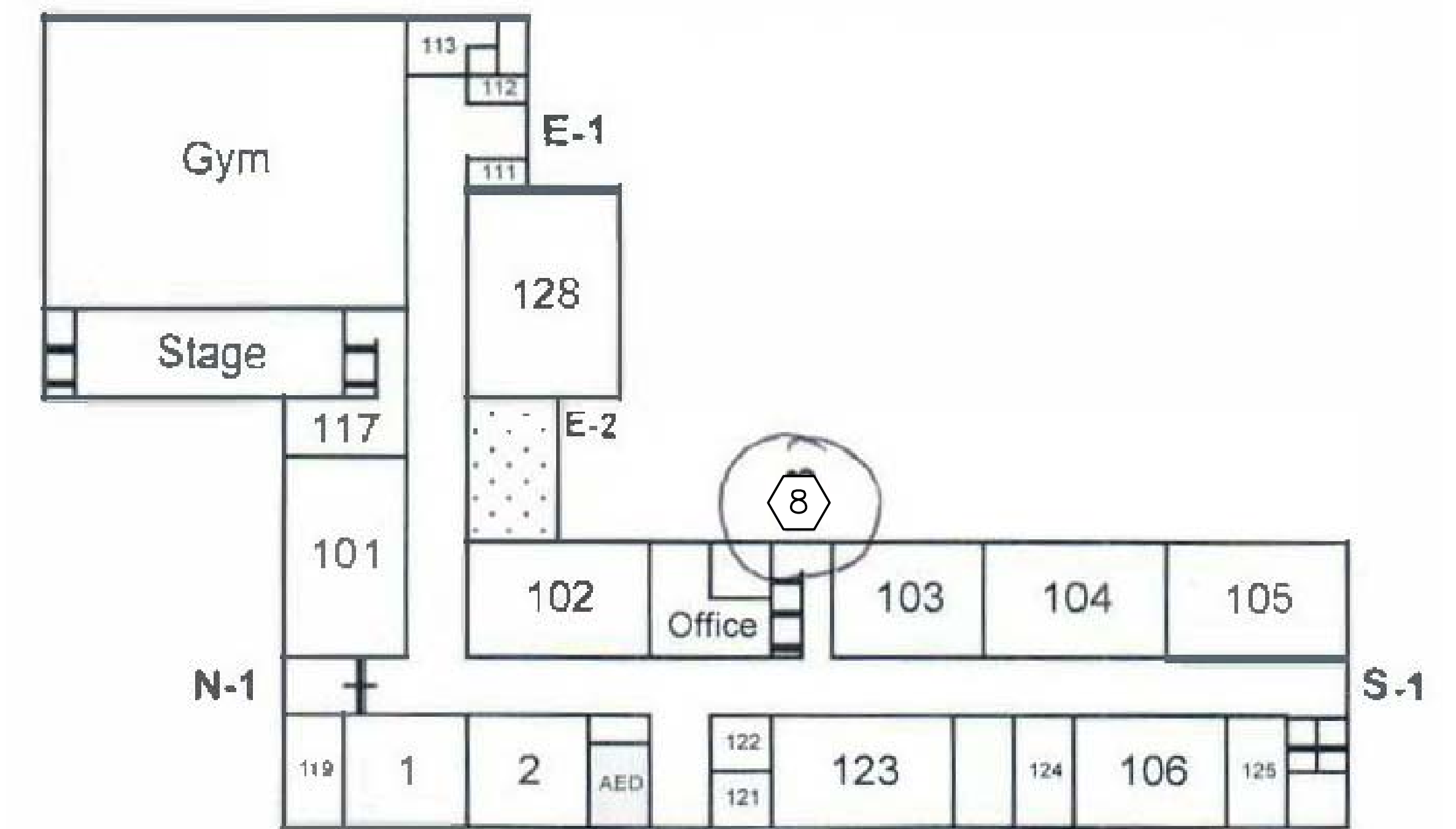
**BRYANT ELEMENTARY**  
SCALE: NTS



**CENTRAL ELEMENTARY**  
SCALE: NTS



**OWOSSO HIGH SCHOOL**  
SCALE: NTS



**WASHINGTON ELEMENTARY**  
SCALE: NTS

BY	MARK	REVISIONS	DATE
<small>THE WORK REPRESENTED BY THIS DRAWING WAS DESIGNED BY THE ENGINEER FOR THIS SPECIFIC APPLICATION AND SPECIFIC LOCATION DESCRIBED HEREON IN ACCORDANCE WITH THE CONDITIONS PREVALENT AT THE TIME THE DESIGN WAS DONE. THE ENGINEER DOES NOT GUARANTEE AND WILL NOT BE LIABLE FOR ANY OTHER LOCATION, CONDITION, DESIGN OR PURPOSE.</small>			
<b>DISTRICT DOOR REPLACEMENT OWOSSO PUBLIC SCHOOLS 2016 SINKING FUND IMPROVEMENTS</b>			
<b>KEY PLANS</b>			
		<small>SAGINAW OFFICE 230 S. Washington Ave. Saginaw, MI 48607 Tel. 989-754-4717 Fax. 989-754-4440 www.SpicerGroup.com</small>	
DE. BY: <i>DSB</i>	CH. BY: <i>RRE</i>	PROJECT NO. <b>123146SG2015</b>	
DR. BY: <i>DSB</i>	APP. BY: <i>RRE</i>	SHEET <b>5</b> OF <b>9</b>	
STDS.	DATE: <b>FEBRUARY, 2016</b>	FILE NO.	<b>A</b>
SCALE: <b>1/8" = 1'-0"</b>		<b>DA -1287-05</b>	<b>4</b>

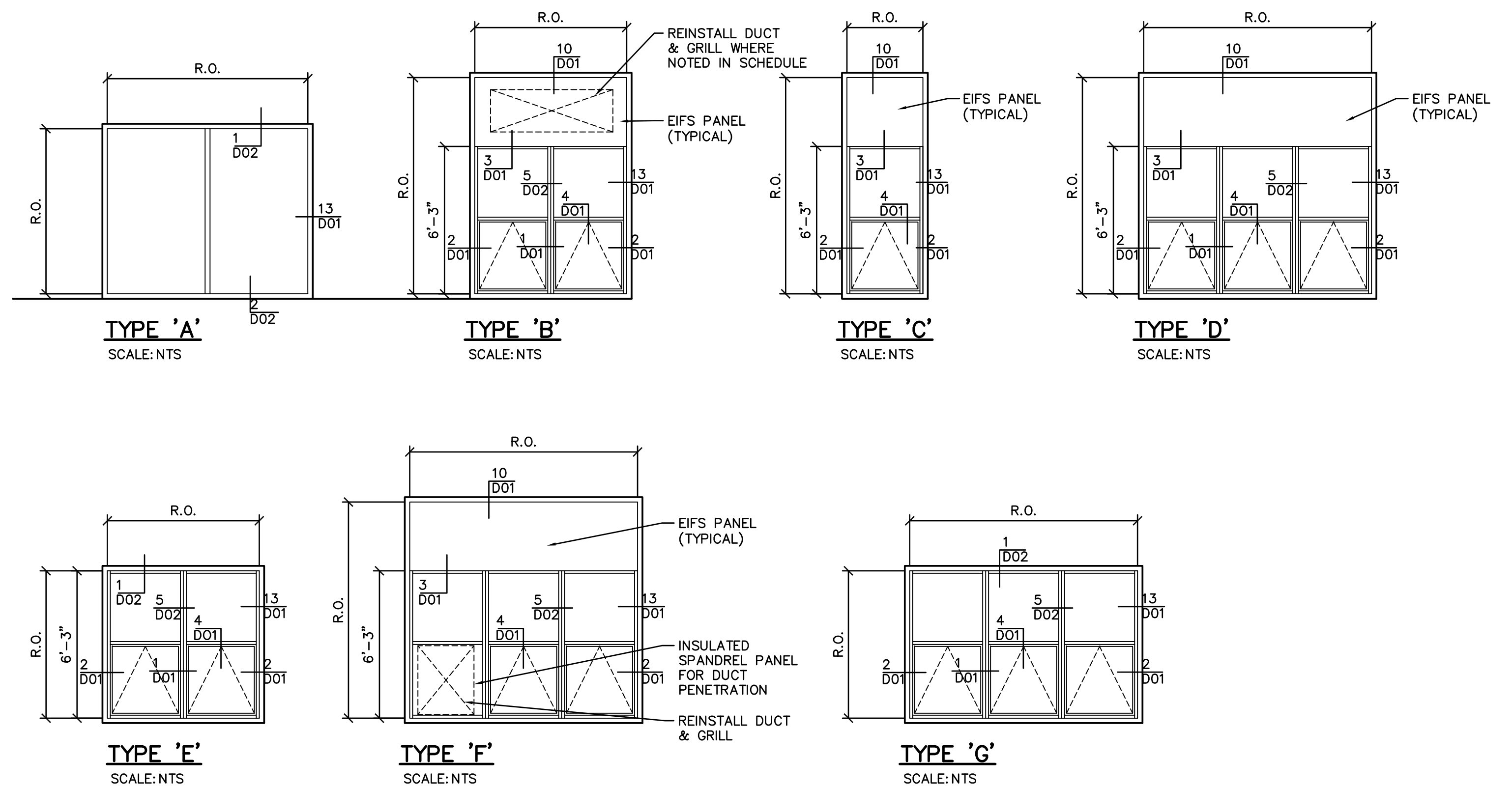
PLOTING SCALE: 1/8" = 1'-0"

RET. F.B. PC. ACAD FILE: DA or DPL \*\*\*\*\*



**WINDOW SCHEDULE**

SYM.	WIDTH R.O.	HEIGHT R.O.	TYPE	FRAME	SCR.	TYPE	REMARKS
1	8'-6"	7'-0"	FIXED	ALUMINUM	N	A	
2	6'-5 1/4"	9'-2"	FIXED/AWNING	ALUMINUM	Y	B	CLASSROOM EGRESS WITH LABEL
3	3'-0 3/8"	9'-2"	FIXED/AWNING	ALUMINUM	Y	C	
4	9'-10"	9'-2"	FIXED/AWNING	ALUMINUM	Y	D	CLASSROOM EGRESS WITH LABEL
5	9'-10"	9'-2"	FIXED/AWNING	ALUMINUM	Y	D	
6	9'-10"	9'-2"	FIXED/AWNING	ALUMINUM	Y	D	CLASSROOM EGRESS WITH LABEL
7	6'-5 1/4"	9'-2"	FIXED/AWNING	ALUMINUM	Y	B	
8	9'-10"	9'-2"	FIXED	ALUMINUM	N	D	ALL SECTIONS FIXED, PROVIDE BREAK METAL WHERE WALL ABUTES MULLION
9	3'-0 3/8"	9'-2"	FIXED/AWNING	ALUMINUM	Y	C	CLASSROOM EGRESS WITH LABEL
10	6'-5 1/4"	9'-2"	FIXED/AWNING	ALUMINUM	Y	B	
11	9'-10"	9'-2"	FIXED/AWNING	ALUMINUM	Y	D	
12	9'-10"	9'-2"	FIXED/AWNING	ALUMINUM	Y	D	CLASSROOM EGRESS WITH LABEL
13	6'-1 1/2"	5'-4 1/2"	FIXED/AWNING	ALUMINUM	Y	E	OBSCURED GLASS
14	7'-0 1/2"	9'-2"	FIXED	ALUMINUM	N	A	
16	6'-5 1/4"	9'-2"	FIXED/AWNING	ALUMINUM	Y	B	CLASSROOM EGRESS WITH LABEL
17	6'-1 1/2"	6'-4 1/2"	FIXED/AWNING	ALUMINUM	Y	E	OBSCURED GLASS
18	9'-10"	9'-2"	FIXED/AWNING	ALUMINUM	Y	D	CLASSROOM EGRESS WITH LABEL
19	9'-10"	9'-2"	FIXED/AWNING	ALUMINUM	Y	D	
20	9'-10"	9'-2"	FIXED/AWNING	ALUMINUM	Y	F	REINSTALL DUCT AND GRILL THROUGH INSULATED PANEL, SEE DETAIL
21	9'-10"	9'-2"	FIXED/AWNING	ALUMINUM	Y	D	CLASSROOM EGRESS WITH LABEL
22	3'-0 3/8"	9'-2"	FIXED/AWNING	ALUMINUM	Y	C	CLASSROOM EGRESS WITH LABEL
23	9'-10"	9'-2"	FIXED/AWNING	ALUMINUM	Y	D	
24	9'-10"	9'-2"	FIXED/AWNING	ALUMINUM	Y	D	CLASSROOM EGRESS WITH LABEL
25	9'-10"	9'-2"	FIXED/AWNING	ALUMINUM	Y	D	
26	9'-10"	9'-2"	FIXED/AWNING	ALUMINUM	Y	D	CLASSROOM EGRESS WITH LABEL
27	6'-1 1/2"	5'-4 1/2"	FIXED/AWNING	ALUMINUM	Y	E	OBSCURED GLASS
28	7'-0 1/2"	9'-2"	FIXED	ALUMINUM	N	A	
29	5'-1"	5'-6"	FIXED/AWNING	ALUMINUM	Y	E	CLASSROOM EGRESS WITH LABEL
31	6'-5 1/4"	9'-2"	FIXED/AWNING	ALUMINUM	Y	B	CLASSROOM EGRESS WITH LABEL
32	6'-1 1/2"	6'-4 1/2"	FIXED/AWNING	ALUMINUM	Y	E	OBSCURED GLASS
33	9'-10"	9'-2"	FIXED/AWNING	ALUMINUM	Y	D	CLASSROOM EGRESS WITH LABEL
34	3'-0 3/8"	9'-2"	FIXED/AWNING	ALUMINUM	Y	C	
35	6'-11 1/2"	34 1/2"	FIXED	ALUMINUM	N	A	
36	6'-11 1/2"	34 1/2"	FIXED	ALUMINUM	N	A	
37	6'-5 1/4"	6'-8 1/2"	FIXED/AWNING	ALUMINUM	Y	B	
38	9'-10"	6'-8 1/2"	FIXED/AWNING	ALUMINUM	Y	D	CLASSROOM EGRESS WITH LABEL
39	6'-5 1/4"	6'-8 1/2"	FIXED/AWNING	ALUMINUM	Y	B	
40	6'-5 1/4"	6'-8 1/2"	FIXED/AWNING	ALUMINUM	Y	B	
41	6'-5 1/4"	9'-2"	FIXED/AWNING	ALUMINUM	Y	B	
42	6'-5 1/4"	9'-2"	FIXED/AWNING	ALUMINUM	Y	B	
43	6'-5 1/4"	9'-2"	FIXED/AWNING	ALUMINUM	Y	B	
44	6'-11 1/2"	34 1/2"	FIXED	ALUMINUM	N	A	
45	9'-10"	34 1/2"	FIXED	ALUMINUM	N	D	ALL SECTIONS FIXED, PROVIDE BREAK METAL WHERE WALL ABUTES MULLION
46	6'-1 1/2"	5'-4 1/2"	FIXED/AWNING	ALUMINUM	Y	E	OBSCURED GLASS
48	9'-8"	6'-3"	FIXED/AWNING	ALUMINUM	Y	G	
49	9'-8"	6'-3"	FIXED/AWNING	ALUMINUM	Y	G	
50	8'-4"	8'-1"	FIXED/AWNING	ALUMINUM	Y	B	REMOVE EXTERIOR METAL SIDING AND EXIST WINDOW, REMOVE INTERIOR SHUTTERS
51	8'-4"	8'-1"	FIXED/AWNING	ALUMINUM	Y	B	REMOVE EXTERIOR METAL SIDING AND EXIST WINDOW, REMOVE INTERIOR SHUTTERS
52	9'-9"	4'-8"	FIXED/AWNING	ALUMINUM	Y	G	
53	9'-9"	4'-8"	FIXED/AWNING	ALUMINUM	Y	G	
54	6'-7"	7'-0"	FIXED/AWNING	ALUMINUM	Y	B	
55	6'-7"	7'-0"	FIXED/AWNING	ALUMINUM	Y	B	REINSTALL DUCT AND GRILL THROUGH EIFS INFILL, SEE DETAIL
56	6'-7"	7'-0"	FIXED/AWNING	ALUMINUM	Y	B	
57	6'-7"	7'-0"	FIXED/AWNING	ALUMINUM	Y	B	
58	6'-7"	7'-0"	FIXED/AWNING	ALUMINUM	Y	B	
59	6'-7"	7'-0"	FIXED/AWNING	ALUMINUM	Y	B	REINSTALL DUCT AND GRILL THROUGH EIFS INFILL, SEE DETAIL
60	6'-7"	7'-0"	FIXED/AWNING	ALUMINUM	Y	B	
61	6'-7"	7'-0"	FIXED/AWNING	ALUMINUM	Y	B	REINSTALL DUCT AND GRILL THROUGH EIFS INFILL, SEE DETAIL
62	6'-7"	7'-0"	FIXED/AWNING	ALUMINUM	Y	B	
63	6'-7"	7'-0"	FIXED/AWNING	ALUMINUM	Y	B	



PLOTTING SCALE: 1/8" = 1'-0"  
 RET. F.B. P.C. ACAD FILE: DA or DPL \*\*\*\*\*

BY	MARK	REVISIONS	DATE

THE WORK REPRESENTED BY THIS DRAWING WAS DESIGNED BY THE ENGINEER FOR THIS SPECIFIC APPLICATION AND SPECIFIC LOCATION DESCRIBED HEREON IN ACCORDANCE WITH THE CONDITIONS PREVALENT AT THE TIME THE DESIGN WAS DONE. THE ENGINEER DOES NOT GUARANTEE AND WILL NOT BE LIABLE FOR ANY OTHER LOCATION, CONDITION, DESIGN OR PURPOSE.

**MIDDLE SCHOOL WINDOW REPLACEMENT  
OWOSSO PUBLIC SCHOOLS  
2016 SINKING FUND IMPROVEMENTS**

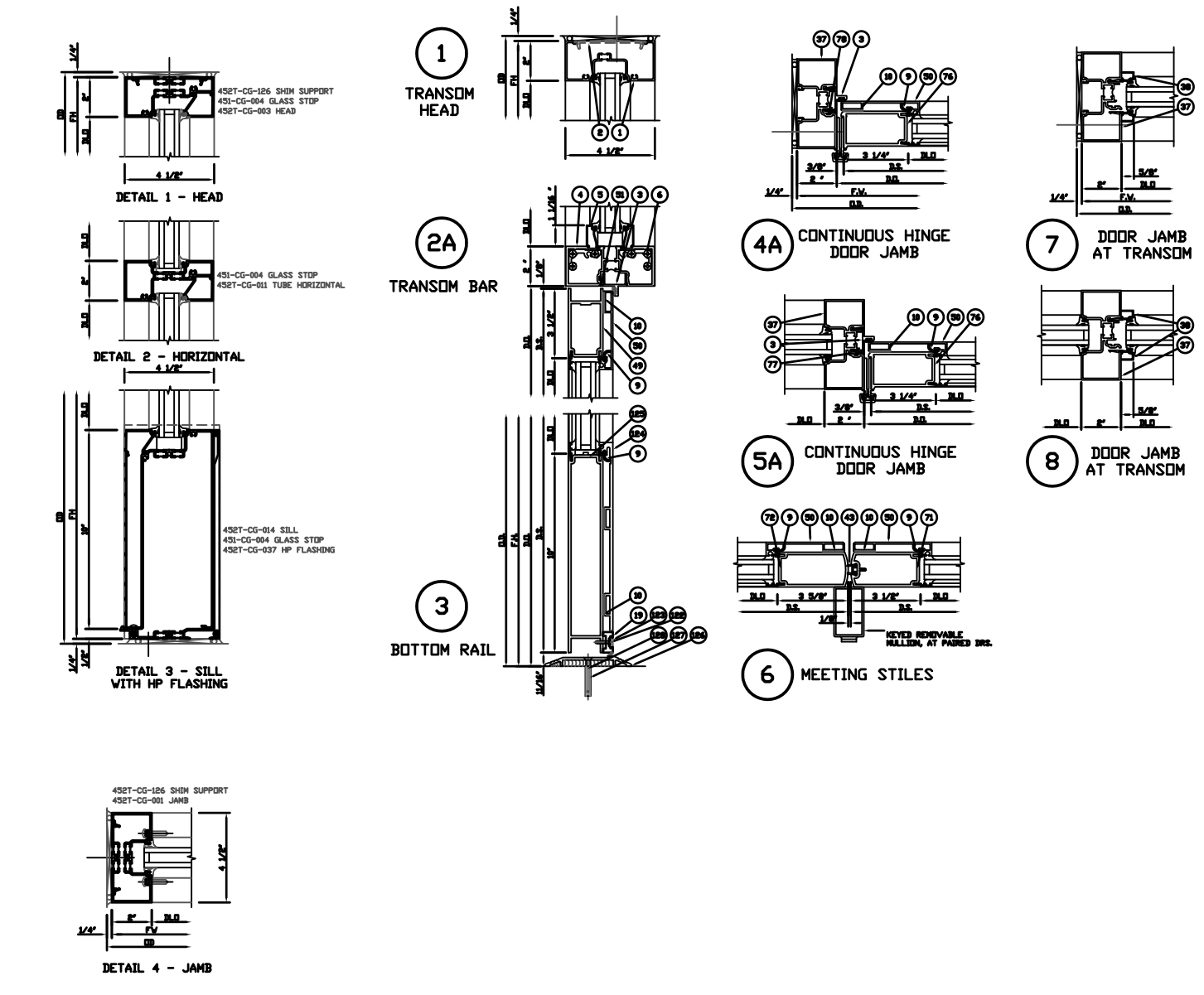
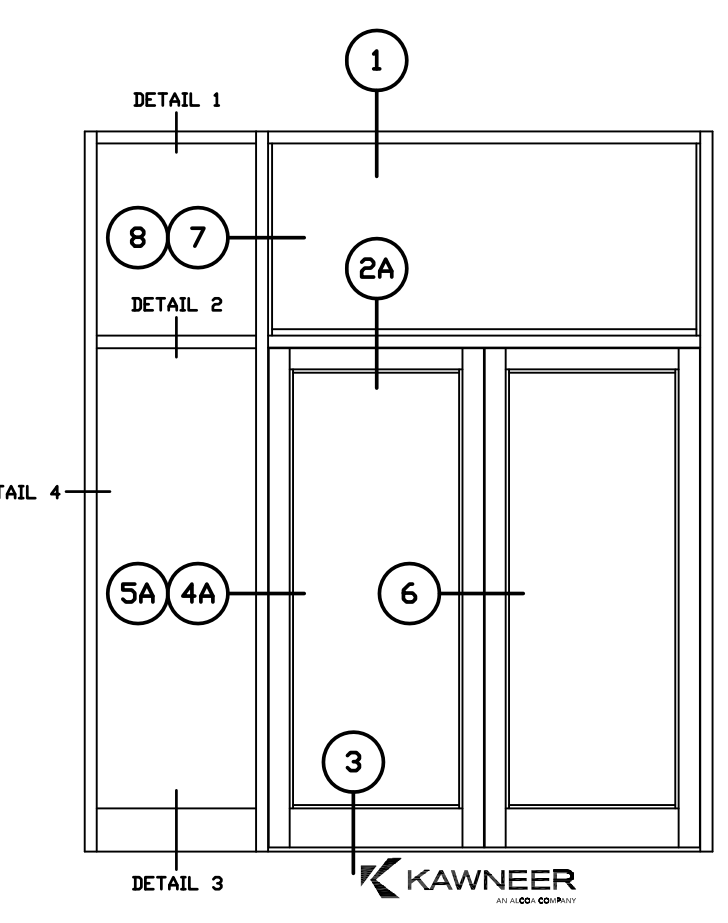
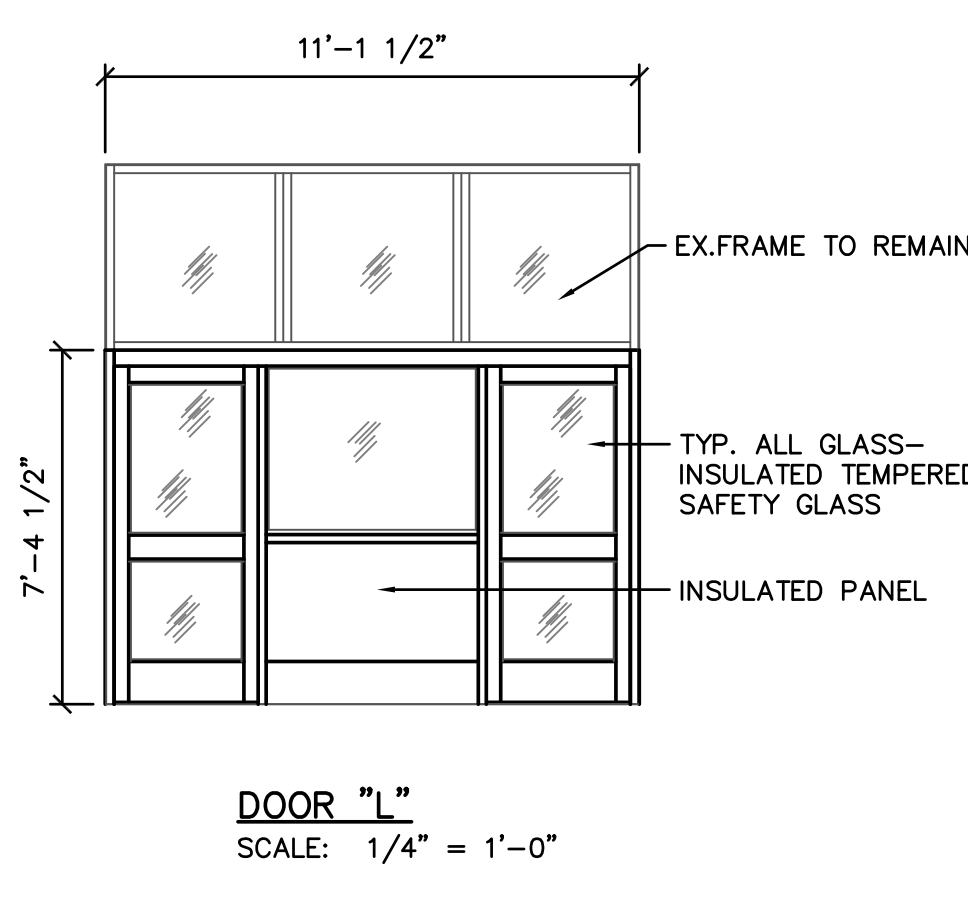
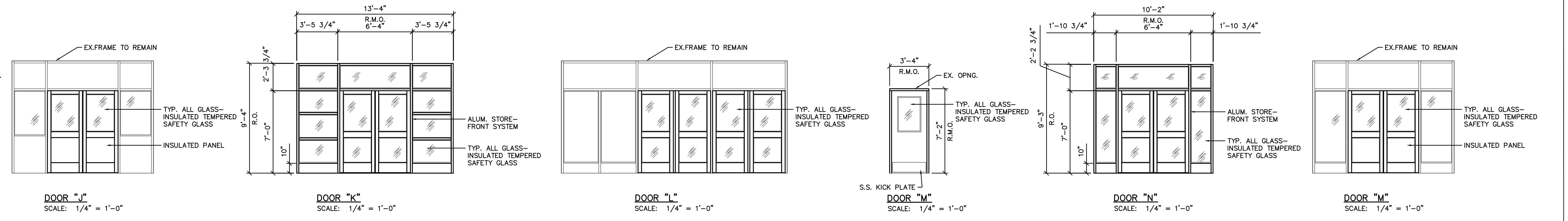
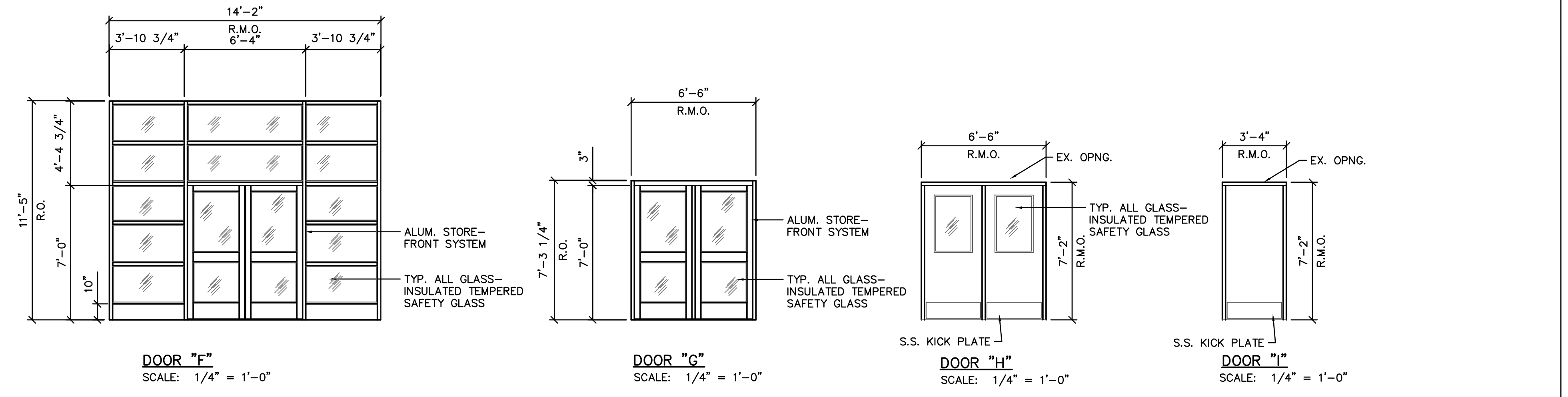
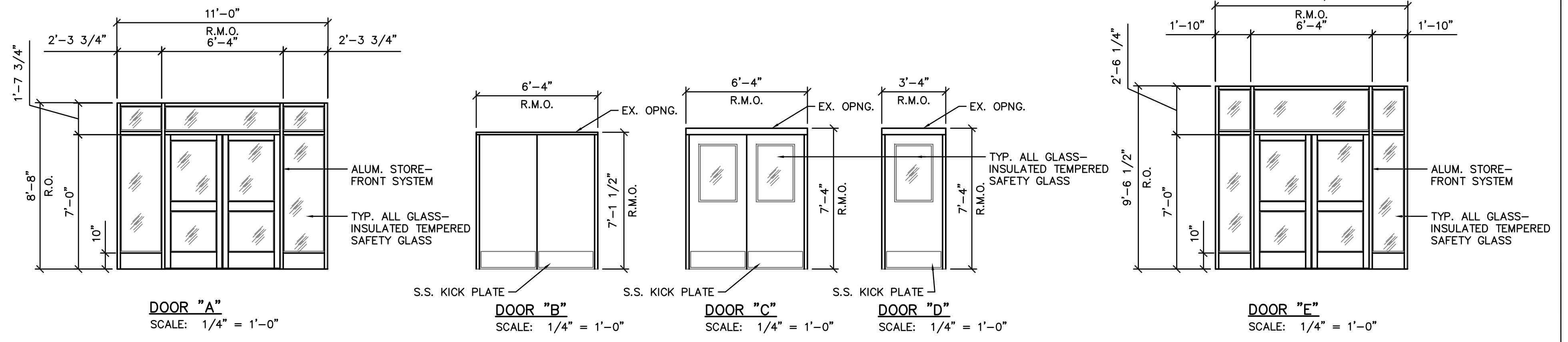
**WINDOW SCHEDULE**

**Spicer Group** SAGINAW OFFICE  
230 S. Washington Ave.  
Saginaw, MI 48607  
Tel. 989-754-4717  
Fax. 989-754-4440  
www.SpicerGroup.com

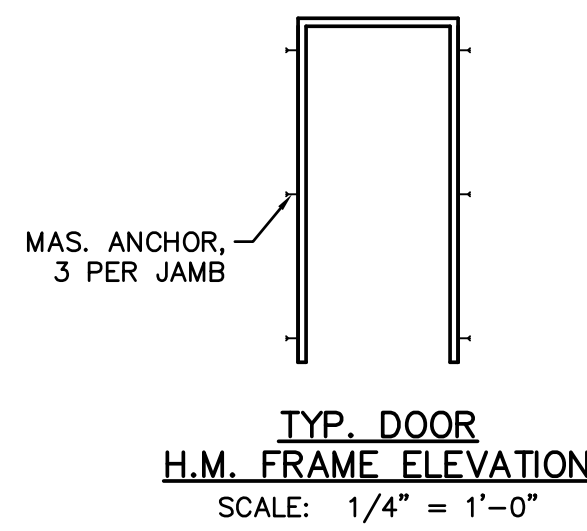
DE. BY: DSB	CH. BY: RRE	PROJECT NO.
DR. BY: DSB	APP. BY: RRE	123146SG2015
STDS.	SHEET 6 OF 9	A
DATE: FEBRUARY, 2016	FILE NO.	5
SCALE: 1/8" = 1'-0"	DA -1287-06	

DOOR SCHEDULE									
SYM.	WIDTH	HEIGHT	THK.	TYPE	MATERIAL	FRAME	HDW. SET	TYPE	REMARKS
1	PR. 3'-0"	7'-0"	2-1/4"	STOREFRONT	ALUMINUM	ALUMINUM		A	INSULATED TEMPERED SAFETY GLASS
2	PR. 3'-0"	7'-0"	1-3/4"	FLUSH	H.M.	H.M.		B	INSULATED, 1 LEFT HAND & 1 RIGHT HAND DOOR
3	PR. 3'-0"	7'-0"	1-3/4"	FLUSH	H.M.	H.M.		C	INSULATED, 1 LEFT HAND & 1 RIGHT HAND DOOR
4	3'-0"	7'-0"	1-3/4"	FLUSH	H.M.	H.M.		D	INSULATED
5	PR. 3'-0"	7'-0"		STOREFRONT	ALUMINUM	ALUMINUM		E	INSULATED TEMPERED SAFETY GLASS
6	PR. 3'-0"	7'-0"	2-1/4"	STOREFRONT	ALUMINUM	ALUMINUM		X	INSULATED TEMPERED SAFETY GLASS
7	PR. 3'-0"	7'-0"	2-1/4"	STOREFRONT	ALUMINUM	ALUMINUM		G	INSULATED TEMPERED SAFETY GLASS
7.1	(3) 3'-0"	7'-0"	2-1/4"	STOREFRONT	ALUMINUM	ALUMINUM		L	INSULATED TEMPERED SAFETY GLASS
8	PR. 3'-0"	7'-0"	1-3/4"	FLUSH	H.M.	H.M.		H	INSULATED, 1 LEFT HAND & 1 RIGHT HAND DOOR
9	3'-0"	7'-0"	1-3/4"	FLUSH	H.M.	H.M.		I	INSULATED
10	PR. 3'-6"	7'-0"	2-1/4"	STOREFRONT	ALUMINUM	-		J	INSULATED TEMPERED SAFETY GLASS, INSULATED PANEL
11	PR. 3'-0"	7'-0"	2-1/4"	STOREFRONT	ALUMINUM	ALUMINUM		K	INSULATED TEMPERED SAFETY GLASS
12	3'-0"	7'-0"	1-3/4"	FLUSH	H.M.	H.M.		I	INSULATED
14	PR. 3'-0"	7'-0"	1-3/4"	FLUSH	H.M.	H.M.		C	INSULATED, 1 LEFT HAND & 1 RIGHT HAND DOOR
15	(4) 3'-0"	7'-0"	2-1/4"	STOREFRONT	ALUMINUM	ALUMINUM		L	INSULATED TEMPERED SAFETY GLASS
16	3'-0"	7'-0"	1-3/4"	FLUSH	H.M.	H.M.		D	INSULATED
17	(4) 3'-0"	7'-0"	2-1/4"	STOREFRONT	ALUMINUM	ALUMINUM		L	INSULATED TEMPERED SAFETY GLASS, FILL NOOPEN HOLES
18	PR. 3'-0"	7'-0"	2-1/4"	STOREFRONT	ALUMINUM	ALUMINUM		K	INSULATED TEMPERED SAFETY GLASS
19	PR. 3'-0"	7'-0"	2-1/4"	STOREFRONT	ALUMINUM	-		M	INSULATED TEMPERED SAFETY GLASS, INSULATED PANEL
19	PR. 3'-0"	7'-0"	2-1/4"	STOREFRONT	ALUMINUM	-		M	INSULATED TEMPERED SAFETY GLASS, INSULATED PANEL

NOTE: MATCH EXISTING DOOR SWINGS



PARTS LIST	
PART NO.	PART DESCRIPTION
1	451-CG-001 MULLION/SILL/JAMB
2	452-146 SHIM SUPPORT
3	452-039 DOOR STEP FOR THERMAL DOOR
4	452-137 THERMAL HEADER/7-BAR
5	450-022 TRANSOM BAR GLASS STOP
6	116-455 T-BAR/HEADER CLIP PKG.
9	116-074 THERMAL SEPARATOR
10	127-152 VHB TAPE
19	116-075 BTM DOOR SWEEP
27	452-136 THERMAL DOOR JAMB
38	452-041 GLAZING INSERT
43	200-496 ADJUSTABLE ASTRAGAL
49	200-023 *350° STANDARD 3 1/2" TOP DOOR RAIL
50	116-083 TOP RAIL CLADDING
51	027-072 THERMAL SEPARATOR
71	200-006 *350° ACTIVE STYLE
72	200-007 *350° INACTIVE STYLE
76	200-012 *500° CONT. HINGE STYLE
77	027-072 THERMAL SEPARATOR
78	027-072 THERMAL SEPARATOR
122	028-340 #8 x 3/4" FINIT *9"
123	027-407 ALUM. FILLER
124	116-101 BTM DOOR RAIL CLADDING
125	200-038 RAIL STD. 10" BTM DOOR
126	069-129 2" DOOR S.A. THRESHOLD
127	028-383 1 1/2" PLASTIC SCREW ANCHER
128	028-201 #12 x 1 3/4" AB FINIS



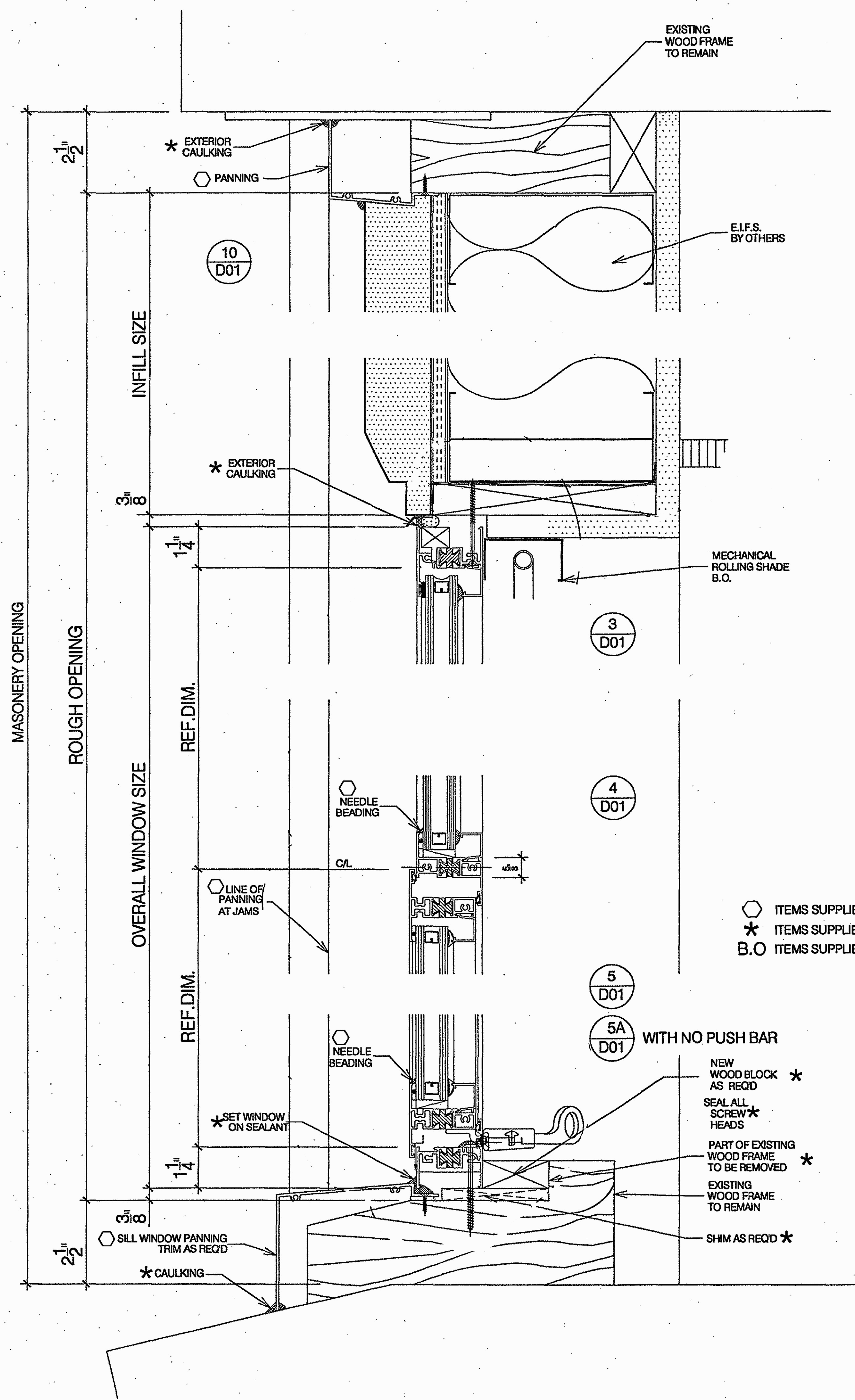
BY	MARK	REVISIONS	DATE
<p>THE WORK REPRESENTED BY THIS DRAWING WAS DESIGNED BY THE ENGINEER FOR THIS SPECIFIC APPLICATION AND SPECIFIC LOCATION DESCRIBED HEREON IN ACCORDANCE WITH THE CONDITIONS PREVALENT AT THE TIME THE DESIGN WAS DONE. THE ENGINEER DOES NOT GUARANTEE AND WILL NOT BE LIABLE FOR ANY OTHER LOCATION, CONDITION, DESIGN OR PURPOSE.</p>			
<p>DISTRICT DOOR REPLACEMENT OWOSSO PUBLIC SCHOOLS 2016 SINKING FUND IMPROVEMENTS</p>			
<p><b>DOOR SCHEDULE</b></p>			
<p>DE. BY: <i>DSB</i> CH. BY: <i>RRE</i> DR. BY: <i>DSB</i> APP. BY: <i>RRE</i></p>		<p>PROJECT NO. <b>123146SG2015</b></p>	
STDS.	SHEET 7 OF 9	A	
DATE: FEBRUARY, 2016	FILE NO.	6	
SCALE: 1/8" = 1'-0"	DA -1287-07		

SAGINAW OFFICE  
 230 S. Washington Ave.  
 Saginaw, MI 48607  
 Tel. 989-754-4717  
 Fax. 989-754-4440  
 www.SpicerGroup.com

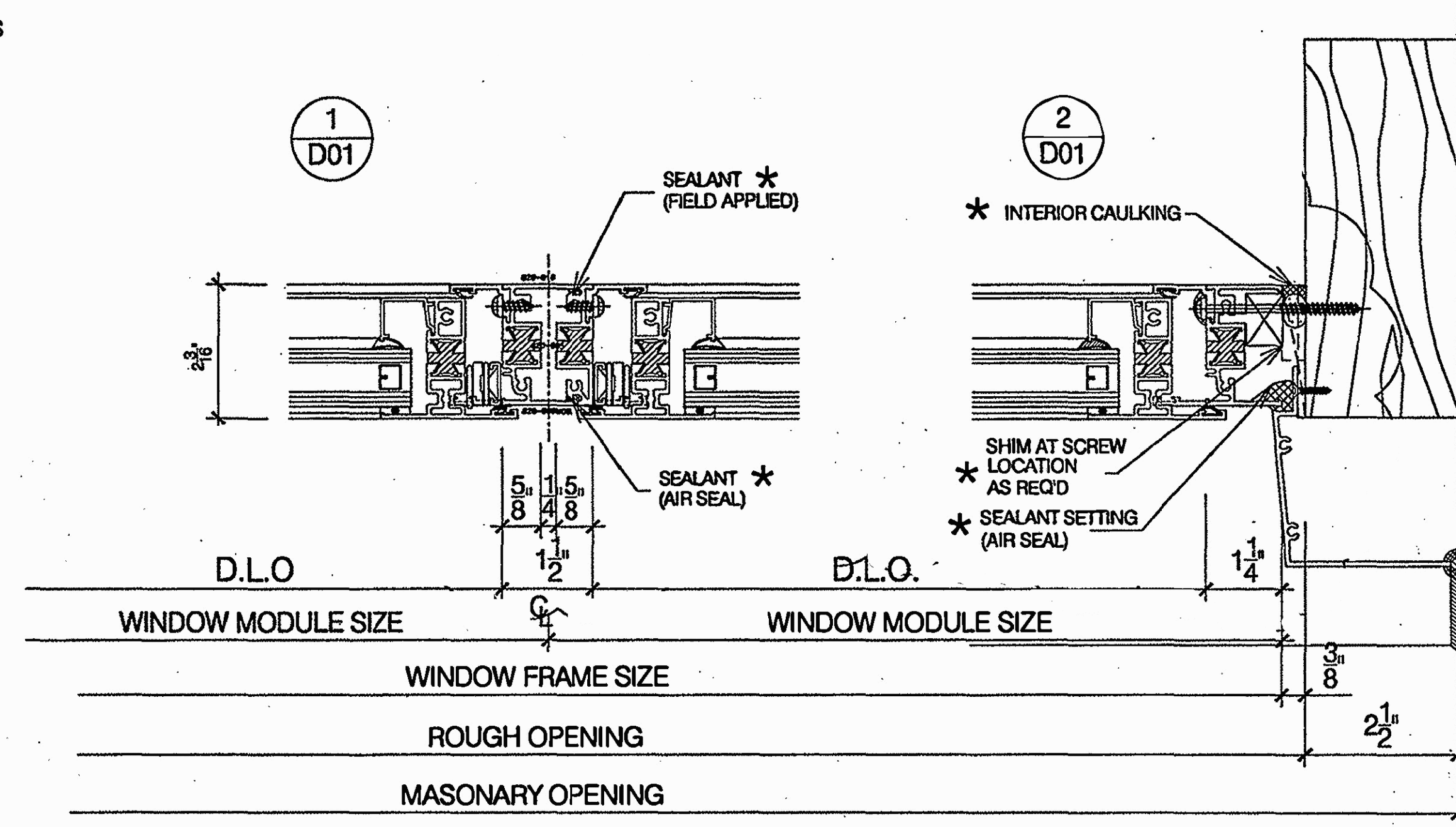
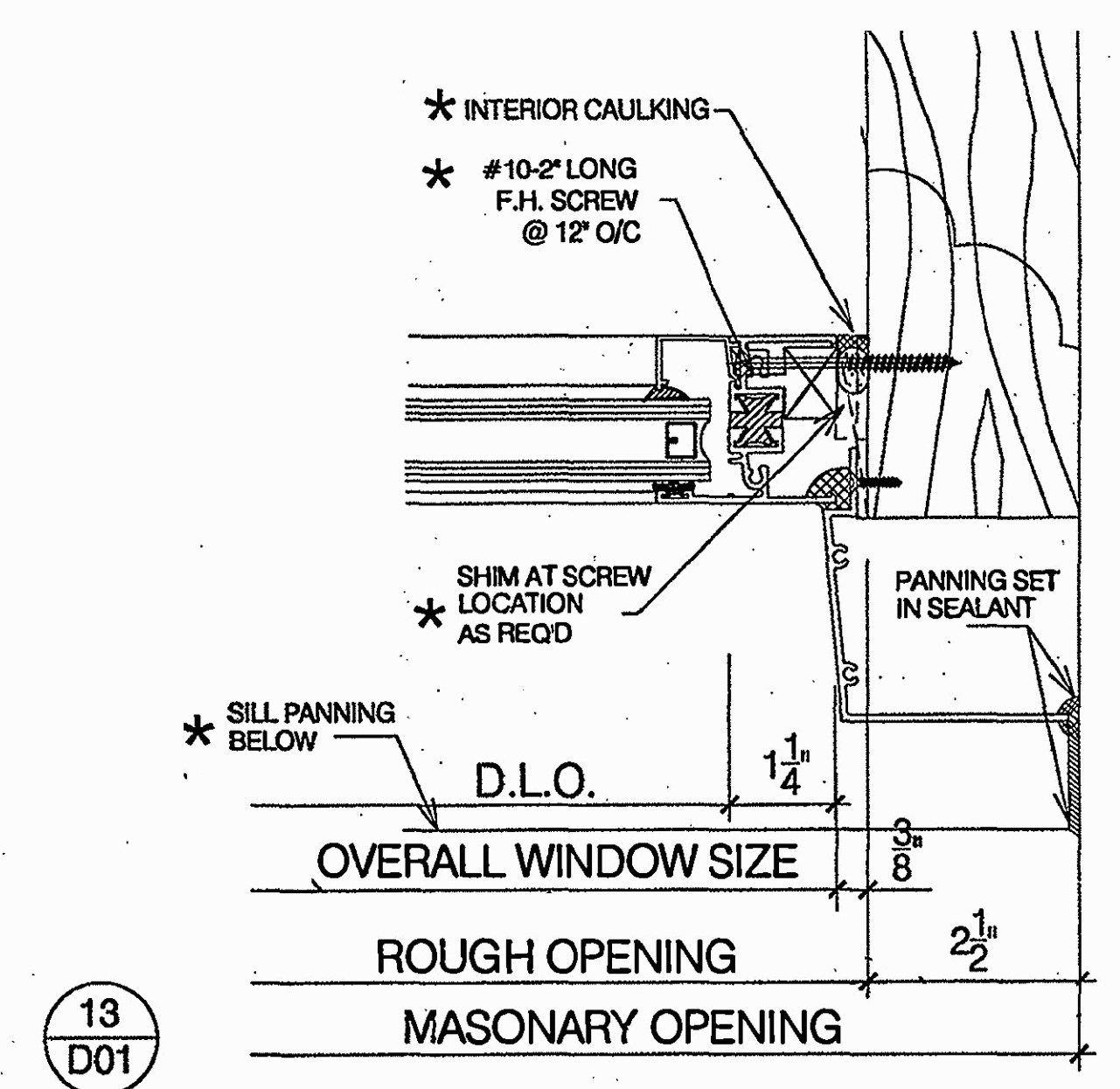
PLOTTING SCALE: 1/4" = 1'-0"  
 RET. F.B. PC. ACAD FILE: DA or DPL \*\*\*\*\*



PLOTTING SCALE: 1/8" = 1'-0"  
 RET. F.B. PC. ACAD FILE: DA or DPL



- ITEMS SUPPLIED BY FULTON
- \* ITEMS SUPPLIED BY AARON GLASS
- B.O. ITEMS SUPPLIED BY OTHER TRADES



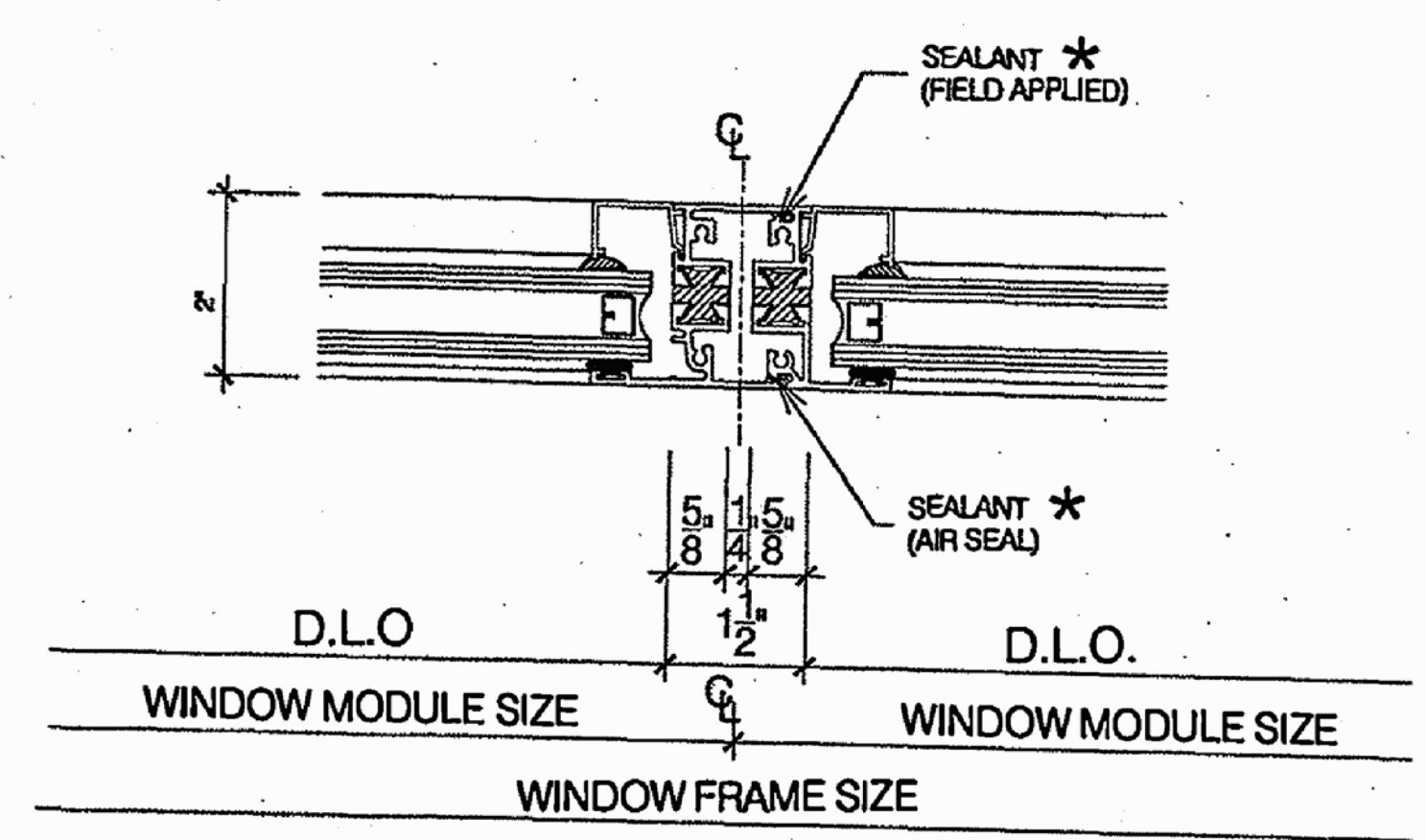
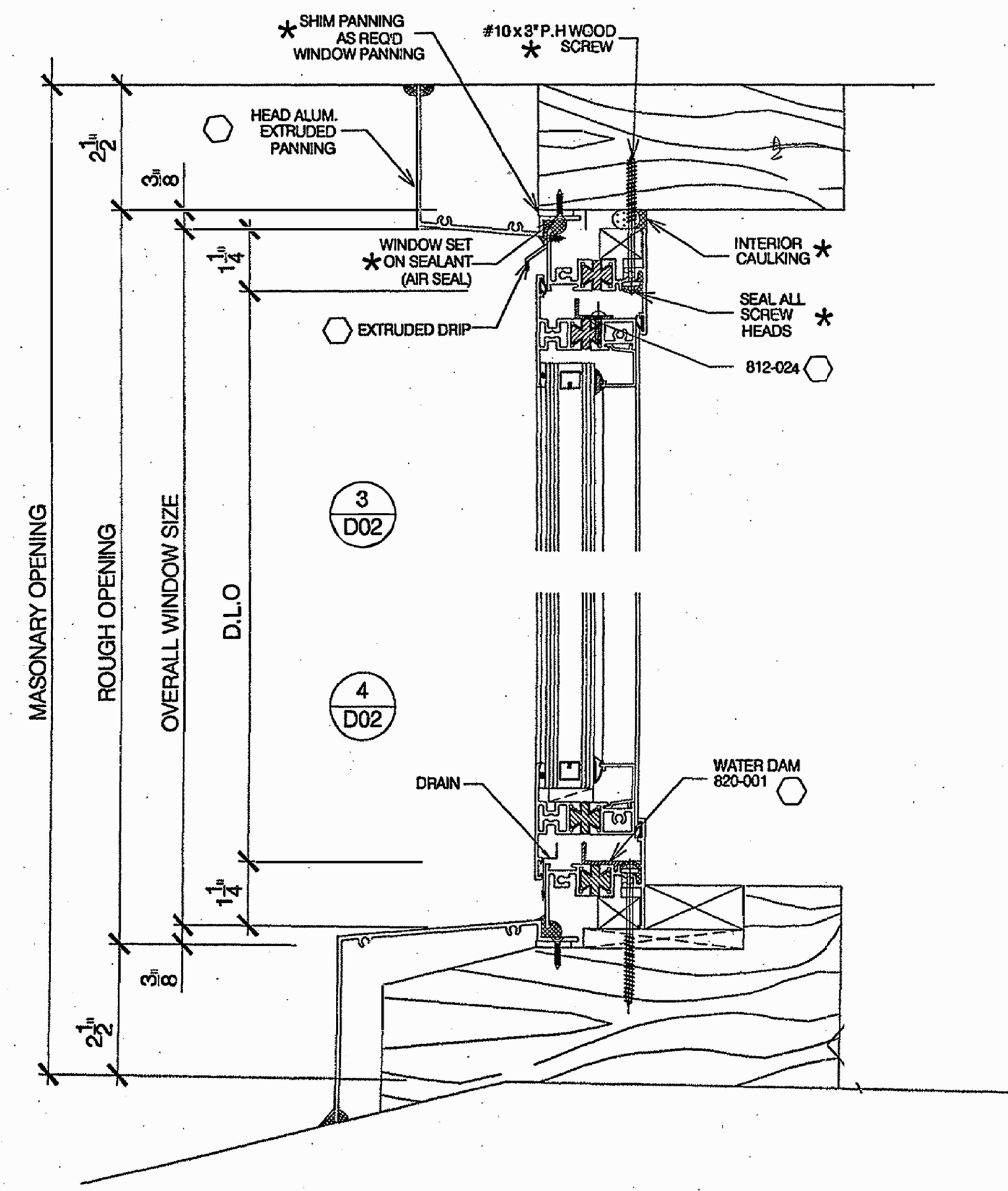
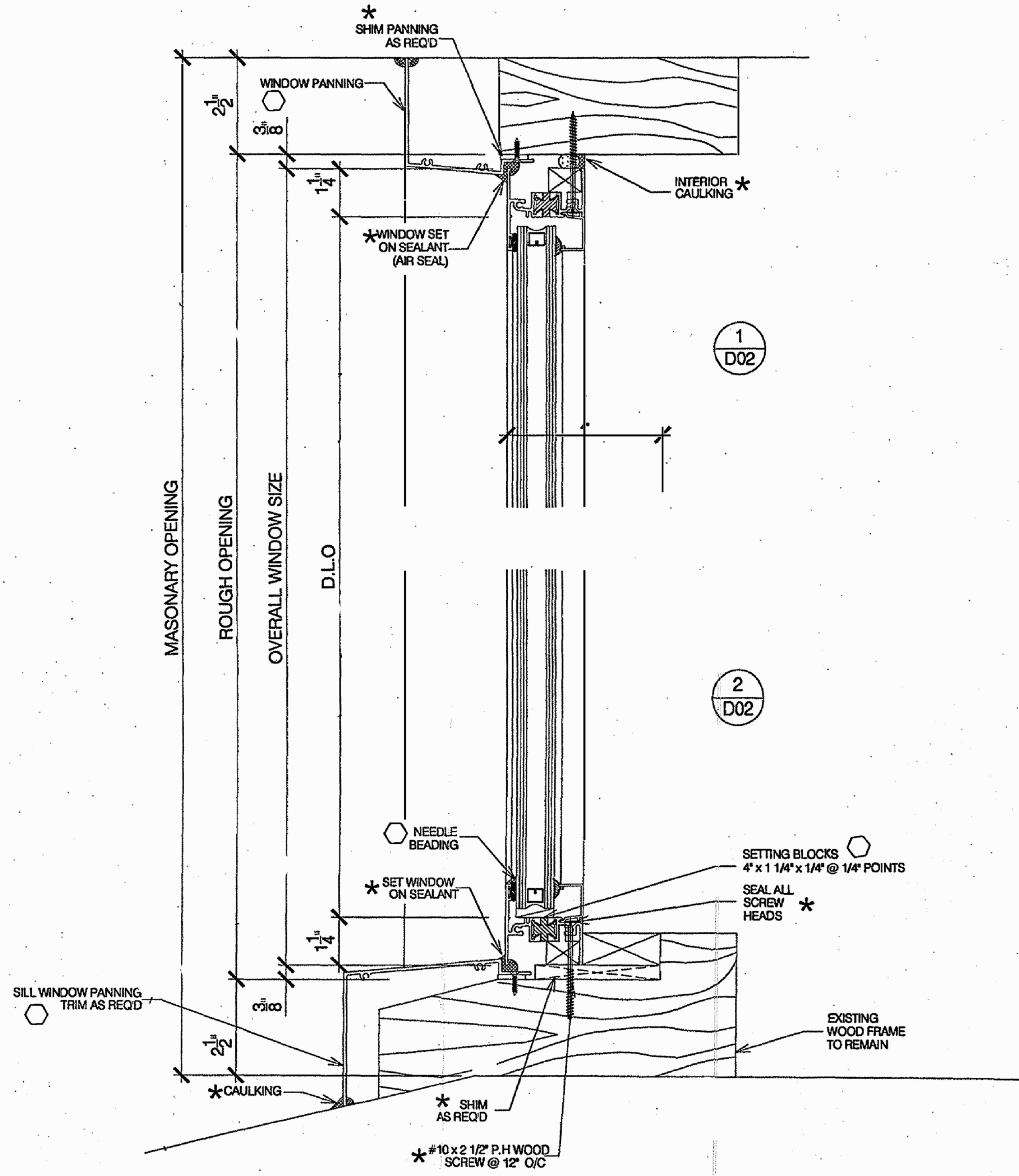
BY	MARK	REVISIONS	DATE
<p>THE WORK REPRESENTED BY THIS DRAWING WAS DESIGNED BY THE ENGINEER FOR THIS SPECIFIC APPLICATION AND SPECIFIC LOCATION DESCRIBED HEREON IN ACCORDANCE WITH THE CONDITIONS PREVALENT AT THE TIME THE DESIGN WAS DONE. THE ENGINEER DOES NOT GUARANTEE AND WILL NOT BE LIABLE FOR ANY OTHER LOCATION, CONDITION, DESIGN OR PURPOSE.</p>			
<p>MIDDLE SCHOOL WINDOW REPLACEMENT  OWOSSO PUBLIC SCHOOLS  2016 SINKING FUND IMPROVEMENTS</p>			
<p>WINDOW DETAILS</p>			
<p>DE. BY: DSB</p>		<p>CH. BY: RRE</p>	
<p>DR. BY: DSB</p>		<p>APP. BY: RRE</p>	
<p>PROJECT NO. 123146SG2015</p>			<p>D</p>
<p>STDS.</p>		<p>SHEET 8 OF 9</p>	
<p>DATE: FEBRUARY, 2016</p>		<p>FILE NO.</p>	
<p>SCALE: 1/8" = 1'-0"</p>		<p>DA -1287-08</p>	

SAGINAW OFFICE  
230 S. Washington Ave.  
Saginaw, MI 48607  
Tel. 989-754-4717  
Fax. 989-754-4440  
www.SpicerGroup.com





PLOTTING SCALE: 1/8" = 1'-0"  
 RET. F.B. P.C. ACAD FILE: DA or DPL \*\*\*\*\*



BY	MARK	REVISIONS	DATE
THE WORK REPRESENTED BY THIS DRAWING WAS DESIGNED BY THE ENGINEER FOR THIS SPECIFIC APPLICATION AND SPECIFIC LOCATION DESCRIBED HEREON IN ACCORDANCE WITH THE CONDITIONS PREVALENT AT THE TIME THE DESIGN WAS DONE. THE ENGINEER DOES NOT GUARANTEE AND WILL NOT BE LIABLE FOR ANY OTHER LOCATION, CONDITION, DESIGN OR PURPOSE.			
<b>MIDDLE SCHOOL WINDOW REPLACEMENT            OWOSSO PUBLIC SCHOOLS            2016 SINKING FUND IMPROVEMENTS</b>			
<b>WINDOW DETAILS</b>			
<b>Spicer group</b>		SAGINAW OFFICE 230 S. Washington Ave. Saginaw, MI 48607 Tel. 989-754-4717 Fax. 989-754-4440 www.SpicerGroup.com	
DE. BY: DSB	CH. BY: RRE	PROJECT NO. 123146SG2015	
DR. BY: DSB	APP. BY: RRE		
STDS.	SHEET 9 OF 9	D	
DATE FEBRUARY, 2016	FILE NO.	2	
SCALE 1/8" = 1'-0"	DA -1287-09		