

**ADDENDUM NO. 1**

**2015 SINKING FUND IMPROVEMENTS  
MISC. SITE AND FIELD IMPROVEMENTS**

**OWOSSO PUBLIC SCHOOLS  
OWOSSO, MICHIGAN**

**TO: ALL PROSPECTIVE BIDDERS ON THE SUBJECT PROJECT**

**RE: CHANGES TO BIDDING DOCUMENTS**

**Acknowledge Receipt of this Addendum on Page P-1  
of the Bidform (Proposal) where indicated.**

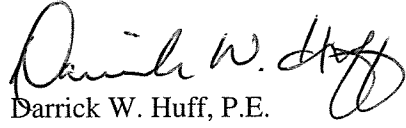
The following is a list of items that are relevant to the bid and the bidders and change or clarify the bidding documents:

1. Bidding documents are available on Spicer Group's web site at [www.spicergroup.com](http://www.spicergroup.com)
2. All questions concerning plans and specifications are to be directed to Mark Norton, Spicer Group, Inc. at (989)754-4717.
3. Copy of sign-in sheet from Mandatory Pre-bid meeting is attached to this Addendum.
4. The product to be used for note 2 on sheet 6 shall be SIKA FerroGard 903. The product information is attached as part of the addendum. Also attached are drawings S-1 and S-8 for **reference only** to allow the top vertical and horizontal surface areas to be calculated. These drawings are to the indicated scale when printed at 24" x 36".
5. All work outlined in the Spicer report concerning portable bleaches are to be completed.
6. The Contractor shall paint all existing painted wall surfaces in the gym, including the area behind the bleachers. Color selections shall be by the Owner. The Contractor shall be responsible to remove signs and reinstall them once the painting is completed.
7. The sand top application at Willman Field shall extend to the limits of the varsity soccer field configuration, which is the area inside the existing field lighting from East to West and North to South to the end lines.
8. Contractor shall include the installation of weed barrier (4" each way from center of fence) underneath all new fencing being installed. This shall be incidental to the fencing.
9. Contractor shall install 200 lin. ft. of 6" perforated tile @ 0.30% running east to west along the north end of the main High School parking lot. This tile shall connect to the existing storm structure located approximately 10' north of the end of the pavement at the east side of the existing parking lot. (West of the track).
10. Contractor shall provide 50 cu. yds. of "Washington top mix" for baseball and softball field applications. This material shall be delivered and stock piled at the Owosso High School at a location identified by the Owner.

Please sign the Acknowledgment below and attach this Addendum No. 1 to the front of your bidding document. Acknowledge the same in the Bid Form (Proposal).

Prepared by:

SPICER GROUP, INC.



Darrick W. Huff, P.E.  
Project Manager

### ACKNOWLEDGMENT

BIDDER: \_\_\_\_\_

BY: \_\_\_\_\_

DATE: \_\_\_\_\_

# SIGN-IN SHEET

## 2015 SINKING FUND IMPROVEMENTS MISC. SITE AND FIELD IMPROVEMENTS OWOSSO PUBLIC SCHOOLS

**Wednesday April 1, 2015  
Pre Bid Conference at 10:00 a.m.**

Please Print Legibly – You won't receive addendum information if we can't read your writing

	CONTACT NAME	COMPANY	E-MAIL	PHONE NUMBER	FAX NUMBER
1	Darrick Huff	Spicer Group, Inc.	darrickh@spicergroup.com	989-754-4717	989-754-4440
2	John Klapko	Owosso Public Schools	klapkoj@owosso.k12.mi.us	989-729-5701	989-729-6706
3	KEVIN BUZZARD	GRAHAM COOS	CURT @ GRAHAM CONSTRUCTION, INC	989 921-3030	989 921 -303
4	BRAD BAGANS	NWCG (GC)	bbagans@nationwidecos.com	810 533-2416	<del>517-647-5555</del>
5	Brian Stieba	LAUX CONST.	brian@lauxconstruction.com	517.525.1456	517.694.0359
6	Mike Hull	Superior electric	m.hull@superiorelectricinc.com	5174857125	5174851505
7					
8			estimator@lauxconstruction.com		
9					
10					
11					
12					
13					
14					
15					
16					
17					
18					
19					
20					
21					
22					

# SIGN-IN SHEET

## 2015 SINKING FUND IMPROVEMENTS MISC. SITE AND FIELD IMPROVEMENTS OWOSSO PUBLIC SCHOOLS

**Wednesday April 1, 2015  
Pre Bid Conference at 10:00 a.m.**

Please Print Legibly – You won't receive addendum information if we can't read your writing

	CONTACT NAME	COMPANY	E-MAIL	PHONE NUMBER	FAX NUMBER
1	Darrick Huff	Spicer Group, Inc.	darrickh@spicergroup.com	989-754-4717	989-754-4440
2	John Klapko	Owosso Public Schools	klapkoj@owosso.k12.mi.us	989-729-5701	989-729-6706
3	Jason Fringnitz	Progressive Irrigation	progressiveirrigation@yahoo	248-889-9067	248-889-906
4	Michael Bray	Sandborn Construction	kent297@sbcglobal.net	517-647-4018	647-5155
5	BILL WIEMERZ	AXIOM CSG, LLC	ESTIMATING@AXIOMCSG.LLC.COM	248-446-1104	248-446-1105
6					
7					
8					
9					
10					
11					
12					
13					
14					
15					
16					
17					
18					
19					
20					
21					
22					

## Sika FerroGard® 903

### Penetrating, corrosion inhibiting, impregnation coating for hardened concrete

<b>Description</b>	Sika FerroGard 903 is a corrosion inhibiting impregnation coating for hardened concrete surfaces. It is designed to penetrate the surface and then to diffuse in vapor or liquid form to the steel reinforcing bars embedded in the concrete. Sika FerroGard 903 forms a protective layer on the steel surface which inhibits corrosion caused by the presence of chlorides as well as by carbonation of concrete.
<b>How it Works</b>	<p>Sika FerroGard 903 is a combination of amino alcohols, and organic and inorganic inhibitors that protects both the anodic and cathodic parts of the corrosion cell. This dual action effect dramatically delays the initiation of corrosion and greatly reduces the overall corrosion activity.</p> <p>Sika FerroGard 903 protects the embedded steel by depositing a physical barrier in the form of a protective layer on the surface of the steel reinforcement. This barrier inhibits corrosion of the steel.</p>
<b>Where to use</b>	<p>Sika FerroGard 903 is recommended for all steel-reinforced, prestressed, precast, post tensioned or marine concrete. Use of Sika FerroGard 903:</p> <ul style="list-style-type: none"><li>■ Steel-reinforced concrete, bridges and highways exposed to corrosive environments (deicing salts, weathering)</li><li>■ Building facades and balconies</li><li>■ Steel-reinforced concrete in or near a marine environment</li><li>■ Parking garages</li><li>■ Piers, piles, and concrete dock structures</li><li>■ As part of Sika's system approach for buildings and civil engineering structures</li></ul>
<b>Advantages</b>	<p>Sika FerroGard 903 offers owners, specifiers, port authorities, DOTs, and engineers, a new technology in corrosion inhibition that can easily be applied to the surface of existing concrete to extend the service life of any reinforced concrete structure.</p> <ul style="list-style-type: none"><li>■ Protects against the harmful effects of corrosion by penetrating the surface of even the most dense concrete and diffusing to the steel to inhibit corrosion.</li><li>■ Enhances the durability of reinforced concrete.</li><li>■ Does not require concrete removal.</li><li>■ Environmentally sound.</li><li>■ Does not contain calcium nitrite.</li><li>■ Easily applied by either spray or roller to all existing reinforced concrete.</li><li>■ Can be applied to reinforced concrete that already exhibits corrosion.</li><li>■ Adds additional benefits when used prior to protective coatings in concrete restoration systems.</li><li>■ Water based for easy handling and application.</li><li>■ Not a vapor barrier; allows vapor diffusion.</li><li>■ FerroGard has been proven effective in both laboratory (ASTM G109/Cracked Beams) and field analysis.</li><li>■ ANSI/NSF Standard 61 potable water approved</li></ul>
<b>Coverage</b>	For normal concrete, application is 200 ft. <sup>2</sup> /gal. each coat. A minimum of two coats is always recommended. For dense concrete, application may exceed 300 ft. <sup>2</sup> /gal. Therefore, more than two coats may be required to achieve the <b>total application rate: 100 ft.<sup>2</sup>/gal.</b>
<b>Packaging</b>	5 gallon pails with spout, 55 gallon drums.

#### Typical Data [at 73°F(23°C)]

RESULTS MAY DIFFER BASED UPON STATISTICAL VARIATIONS DEPENDING UPON MIXING METHODS AND EQUIPMENT, TEMPERATURE, APPLICATION METHODS, TEST METHODS, ACTUAL SITE CONDITIONS AND CURING CONDITIONS.

<b>Shelf life</b>	18 months minimum in original, unopened container
<b>Storage Conditions</b>	Store at 40°-95°F (4°-35°C). Protect from freezing. If frozen, discard.
<b>Color</b>	Pale Yellow
<b>Viscosity</b>	15 cps
<b>Flash Point</b>	None (water based)
<b>Density</b>	1.13 (9.4 lbs./gal.)
<b>pH</b>	11 (±1)
<b>Application Rate</b>	100 ft. <sup>2</sup> /gal. total application rate

#### How to Use

##### Surface Preparation

Before applying Sika FerroGard 903 be sure the surface is clean and sound. Remove all dirt, dust, oil, grease, efflorescence or existing coatings from concrete surface by steam cleaning, waterblasting or slightly sandblasting. Allow concrete surface to dry prior to application of Sika FerroGard 903. The dryer the surface the better the penetration and effectiveness.

Construction



Key Criteria	Performance Level	Test Method/Institute
Corrosion inhibition	FerroGard corrosion inhibitors delay the onset of corrosion and reduce the rate of corrosion by 65% versus control specimen after 1 year.	1
Penetration Rate in hardened concrete	FerroGard 903 penetrates independently of orientation (horizontal, vertical, overhead) at a rate of 1/10 to 4/5 inches (2.5 to 20 mm) per day, depending on the density of the concrete.	2
Depth of Penetration	FerroGard 903 penetrates up to 3 inches (76 mm) in 28 days.	2
Protective layer on steel	FerroGard 903 forms a protective layer on the reinforcing steel of high integrity measured at as much as 100 Å in thickness.	3
Displacement of chlorides from steel surface	FerroGard 903 forms a continuous film on the reinforcing steel and displaces chloride ions from the steel surface.	3
Corrosion Rate Field Monitoring	Reduction of corrosion rates in excess of 65%.	4

**Test Method/Institute:**

1. Cracked Concrete Beam Test (adapted from ASTM G109).
2. Secondary Neutron Mass Spectroscopy (SNMS) / Institute for Radiochemistry, Karlsruhe (Germany), Prof. Dr. J. Goschnick.
3. X-ray Photon Spectroscopy (XPS) and Secondary Ion Mass Spectroscopy (SIMS) / Brundle and Associates, San Jose, CA and University Heidelberg (Germany), Prof. M. Grunze.
4. Performance of Corrosion Inhibitors in Practice, Graeme Jones, C-Probe Technologies Ltd., 2000.

<b>Application</b>	<p>Sika FerroGard 903 is applied by roller, brush or spray on concrete surfaces. When spraying, use a conventional airless spray system or hand-pressure equipment. <b>A minimum of two coats is always recommended.</b> Dense substrates may require more coats. Waiting time between coats of Sika FerroGard 903 is at least 1 hour. Allow a minimum of one day to allow Sika FerroGard 903 to dry and penetrate.</p> <p>When Sika FerroGard 903 is used prior to the application of a repair mortar, concrete overlay, protective coating, Sikafloor system or any other application, care must be taken to remove any residue remaining on the surface from the application of Sika FerroGard 903. Clean the substrate in such a manner (i.e. push the water in one direction away and off from the surface to be overcoated) to completely remove any residue. Horizontal surfaces require pressure washing (2,000 psi minimum) to remove the residue. Vertical surfaces may be rinsed with water or pressure washed. The use of Sika Armatec 110 EpoCem as a bonding agent prior to the application of repair mortars or concrete overlays is suggested. Drying times depend on environmental conditions, absorbency of the substrate and maximum recommended moisture content for the subsequently applied system.</p>
<b>Limitations</b>	<ul style="list-style-type: none"> <li>■ Minimum ambient and substrate temperatures 35°F.</li> <li>■ Do not apply when temperature is expected to fall below 35°F within 12 hours.</li> <li>■ If the applied surfaces will be submerged after the application of Sika FerroGard 903, a waterproofing coating must be applied prior to submersion.</li> <li>■ Substrate should be as dry as possible prior to the application.</li> <li>■ Protect glass, wood, brick, galvanized steel, copper and exposed aluminum during the application.</li> <li>■ Maximum chloride content of concrete structures intended to be treated with Sika FerroGard 903 is 6 lbs./y<sup>3</sup> (measured at the level of the reinforcing steel). For levels up to 10 lbs./y<sup>3</sup>, consult technical service.</li> </ul>
<b>Caution</b>	<b>Irritant</b> - Skin and eye irritant. Vapors may cause respiratory tract irritation. Use only with adequate ventilation. Use of safety goggles and chemical resistant gloves is recommended. Remove contaminated clothing.
<b>First Aid</b>	In case of skin contact, wash thoroughly with soap and water. For eye contact, flush immediately with plenty of water for at least 15 minutes; contact physician immediately. For respiratory problems, remove person to fresh air. Wash clothing before re-use.
<b>Clean Up</b>	In case of spills or leaks, wear suitable protective equipment, contain spill, collect with absorbent material, and transfer to a suitable container. Ventilate area. Avoid contact. Dispose of in accordance with current, applicable local, state, and federal regulations.

**KEEP CONTAINER TIGHTLY CLOSED • KEEP OUT OF REACH OF CHILDREN • NOT FOR INTERNAL CONSUMPTION • FOR INDUSTRIAL USE ONLY**

All information provided by Sika Corporation ("Sika") concerning Sika products, including but not limited to, any recommendations and advice relating to the application and use of Sika products, is given in good faith based on Sika's current experience and knowledge of its products when properly stored, handled and applied under normal conditions in accordance with Sika's instructions. In practice, the differences in materials, substrates, storage and handling conditions, actual site conditions and other factors outside of Sika's control are such that Sika assumes no liability for the provision of such information, advice, recommendations or instructions related to its products, nor shall any legal relationship be created by or arise from the provision of such information, advice, recommendations or instructions related to its products. The user of the Sika product(s) must test the product(s) for suitability for the intended application and purpose before proceeding with the full application of the product(s). Sika reserves the right to change the properties of its products without notice. All sales of Sika product(s) are subject to its current terms and conditions of sale which are available at [www.sikausa.com](http://www.sikausa.com) or by calling 800-933-7452.

**Prior to each use of any Sika product, the user must always read and follow the warnings and instructions on the product's most current Technical Data Sheet, product label and Material Safety Data Sheet which are available online at [www.sikausa.com](http://www.sikausa.com) or by calling Sika's Technical Service Department at 800-933-7452. Nothing contained in any Sika materials relieves the user of the obligation to read and follow the warnings and instruction for each Sika product as set forth in the current Technical Data Sheet, product label and Material Safety Data Sheet prior to product use.**

**LIMITED WARRANTY:** Sika warrants this product for one year from date of installation to be free from manufacturing defects and to meet the technical properties on the current Technical Data Sheet if used as directed within shelf life. User determines suitability of product for intended use and assumes all risks. Buyer's sole remedy shall be limited to the purchase price or replacement of product exclusive of labor or cost of labor. **NO OTHER WARRANTIES EXPRESS OR IMPLIED SHALL APPLY INCLUDING ANY WARRANTY OF MERCHANTABILITY OR FITNESS FOR A PARTICULAR PURPOSE. SIKASHALL NOT BELIEVE UNDER ANY LEGAL THEORY FOR SPECIAL OR CONSEQUENTIAL DAMAGES. SIKASHALL NOT BE RESPONSIBLE FOR THE USE OF THIS PRODUCT IN A MANNER TO INFRINGE ON ANY PATENT OR ANY OTHER INTELLECTUAL PROPERTY RIGHTS HELD BY OTHERS.**

Visit our website at [www.sikausa.com](http://www.sikausa.com)

**1-800-933-SIKA NATIONWIDE**

**Regional Information and Sales Centers.** For the location of your nearest Sika sales office, contact your regional center.

**Sika Corporation**  
201 Polito Avenue  
Lyndhurst, NJ 07071  
Phone: 800-933-7452  
Fax: 201-933-6225

**Sika Canada Inc.**  
601 Delmar Avenue  
Pointe Claire  
Quebec H9R 4A9  
Phone: 514-697-2610  
Fax: 514-694-2792

**Sika Mexicana S.A. de C.V.**  
Carretera Libre Celaya Km. 8.5  
Fracc. Industrial Balvanera  
Corregidora, Queretaro  
C.P. 76920  
Phone: 52 442 2385800  
Fax: 52 442 2250537



Sika and FerroGard are registered trademarks. Printed in Canada.



# Sika FerroGard® 903

## Penetrating, corrosion inhibiting, impregnation coating for hardened concrete

<b>Description</b>	Sika FerroGard 903 is a corrosion inhibiting impregnation coating for hardened concrete surfaces. It is designed to penetrate the surface and then to diffuse in vapor or liquid form to the steel reinforcing bars embedded in the concrete. Sika FerroGard 903 forms a protective layer on the steel surface which inhibits corrosion caused by the presence of chlorides as well as by carbonation of concrete.
<b>How it Works</b>	<p>Sika FerroGard 903 is a combination of amino alcohols, and organic and inorganic inhibitors that protects both the anodic and cathodic parts of the corrosion cell. This dual action effect dramatically delays the initiation of corrosion and greatly reduces the overall corrosion activity.</p> <p>Sika FerroGard 903 protects the embedded steel by depositing a physical barrier in the form of a protective layer on the surface of the steel reinforcement. This barrier inhibits corrosion of the steel.</p>
<b>Where to use</b>	<p>Sika FerroGard 903 is recommended for all steel-reinforced, prestressed, precast, post tensioned or marine concrete. Use of Sika FerroGard 903:</p> <ul style="list-style-type: none"><li>■ Steel-reinforced concrete, bridges and highways exposed to corrosive environments (deicing salts, weathering)</li><li>■ Building facades and balconies</li><li>■ Steel-reinforced concrete in or near a marine environment</li><li>■ Parking garages</li><li>■ Piers, piles, and concrete dock structures</li><li>■ As part of Sika's system approach for buildings and civil engineering structures</li></ul>
<b>Advantages</b>	<p>Sika FerroGard 903 offers owners, specifiers, port authorities, DOTs, and engineers, a new technology in corrosion inhibition that can easily be applied to the surface of existing concrete to extend the service life of any reinforced concrete structure.</p> <ul style="list-style-type: none"><li>■ Protects against the harmful effects of corrosion by penetrating the surface of even the most dense concrete and diffusing to the steel to inhibit corrosion.</li><li>■ Enhances the durability of reinforced concrete.</li><li>■ Does not require concrete removal.</li><li>■ Environmentally sound.</li><li>■ Does not contain calcium nitrite.</li><li>■ Easily applied by either spray or roller to all existing reinforced concrete.</li><li>■ Can be applied to reinforced concrete that already exhibits corrosion.</li><li>■ Adds additional benefits when used prior to protective coatings in concrete restoration systems.</li><li>■ Water based for easy handling and application.</li><li>■ Not a vapor barrier; allows vapor diffusion.</li><li>■ FerroGard has been proven effective in both laboratory (ASTM G109/Cracked Beams) and field analysis.</li><li>■ ANSI/NSF Standard 61 potable water approved</li></ul>
<b>Coverage</b>	For normal concrete, application is 200 ft. <sup>2</sup> /gal. each coat. A minimum of two coats is always recommended. For dense concrete, application may exceed 300 ft. <sup>2</sup> /gal. Therefore, more than two coats may be required to achieve the <b>total application rate: 100 ft.<sup>2</sup>/gal.</b>
<b>Packaging</b>	5 gallon pails with spout, 55 gallon drums.

### Typical Data [at 73°F(23°C)]

RESULTS MAY DIFFER BASED UPON STATISTICAL VARIATIONS DEPENDING UPON MIXING METHODS AND EQUIPMENT, TEMPERATURE, APPLICATION METHODS, TEST METHODS, ACTUAL SITE CONDITIONS AND CURING CONDITIONS.

<b>Shelf life</b>	18 months minimum in original, unopened container
<b>Storage Conditions</b>	Store at 40°-95°F (4°-35°C). Protect from freezing. If frozen, discard.
<b>Color</b>	Pale Yellow
<b>Viscosity</b>	15 cps
<b>Flash Point</b>	None (water based)
<b>Density</b>	1.13 (9.4 lbs./gal.)
<b>pH</b>	11 (±1)
<b>Application Rate</b>	100 ft. <sup>2</sup> /gal. total application rate

### How to Use

#### Surface Preparation

Before applying Sika FerroGard 903 be sure the surface is clean and sound. Remove all dirt, dust, oil, grease, efflorescence or existing coatings from concrete surface by steam cleaning, waterblasting or slightly sandblasting. Allow concrete surface to dry prior to application of Sika FerroGard 903. The dryer the surface the better the penetration and effectiveness.

Construction



# Construction

Key Criteria	Performance Level	Test Method/Institute
Corrosion inhibition	FerroGard corrosion inhibitors delay the onset of corrosion and reduce the rate of corrosion by 65% versus control specimen after 1 year.	1
Penetration Rate in hardened concrete	FerroGard 903 penetrates independently of orientation (horizontal, vertical, overhead) at a rate of 1/10 to 4/5 inches (2.5 to 20 mm) per day, depending on the density of the concrete.	2
Depth of Penetration	FerroGard 903 penetrates up to 3 inches (76 mm) in 28 days.	2
Protective layer on steel	FerroGard 903 forms a protective layer on the reinforcing steel of high integrity measured at as much as 100 Å in thickness.	3
Displacement of chlorides from steel surface	FerroGard 903 forms a continuous film on the reinforcing steel and displaces chloride ions from the steel surface.	3
Corrosion Rate Field Monitoring	Reduction of corrosion rates in excess of 65%.	4

**Test Method/Institute:**

1. Cracked Concrete Beam Test (adapted from ASTM G109).
2. Secondary Neutron Mass Spectroscopy (SNMS) / Institute for Radiochemistry, Karlsruhe (Germany), Prof. Dr. J. Goschnick.
3. X-ray Photon Spectroscopy (XPS) and Secondary Ion Mass Spectroscopy (SIMS) / Brundle and Associates, San Jose, CA and University Heidelberg (Germany), Prof. M. Grunze.
4. Performance of Corrosion Inhibitors in Practice, Graeme Jones, C-Probe Technologies Ltd., 2000.

<b>Application</b>	<p>Sika FerroGard 903 is applied by roller, brush or spray on concrete surfaces. When spraying, use a conventional airless spray system or hand-pressure equipment. <b>A minimum of two coats is always recommended.</b> Dense substrates may require more coats. Waiting time between coats of Sika FerroGard 903 is at least 1 hour. Allow a minimum of one day to allow Sika FerroGard 903 to dry and penetrate.</p> <p>When Sika FerroGard 903 is used prior to the application of a repair mortar, concrete overlay, protective coating, Sikafloor system or any other application, care must be taken to remove any residue remaining on the surface from the application of Sika FerroGard 903. Clean the substrate in such a manner (i.e. push the water in one direction away and off from the surface to be overcoated) to completely remove any residue. Horizontal surfaces require pressure washing (2,000 psi minimum) to remove the residue. Vertical surfaces may be rinsed with water or pressure washed. The use of Sika Armatec 110 EpoCem as a bonding agent prior to the application of repair mortars or concrete overlays is suggested. Drying times depend on environmental conditions, absorbency of the substrate and maximum recommended moisture content for the subsequently applied system.</p>
<b>Limitations</b>	<ul style="list-style-type: none"> <li>■ Minimum ambient and substrate temperatures 35°F.</li> <li>■ Do not apply when temperature is expected to fall below 35°F within 12 hours.</li> <li>■ If the applied surfaces will be submerged after the application of Sika FerroGard 903, a waterproofing coating must be applied prior to submersion.</li> <li>■ Substrate should be as dry as possible prior to the application.</li> <li>■ Protect glass, wood, brick, galvanized steel, copper and exposed aluminum during the application.</li> <li>■ Maximum chloride content of concrete structures intended to be treated with Sika FerroGard 903 is 6 lbs./y<sup>3</sup> (measured at the level of the reinforcing steel). For levels up to 10 lbs./y<sup>3</sup>, consult technical service.</li> </ul>
<b>Caution</b>	<b>Irritant</b> - Skin and eye irritant. Vapors may cause respiratory tract irritation. Use only with adequate ventilation. Use of safety goggles and chemical resistant gloves is recommended. Remove contaminated clothing.
<b>First Aid</b>	In case of skin contact, wash thoroughly with soap and water. For eye contact, flush immediately with plenty of water for at least 15 minutes; contact physician immediately. For respiratory problems, remove person to fresh air. Wash clothing before re-use.
<b>Clean Up</b>	In case of spills or leaks, wear suitable protective equipment, contain spill, collect with absorbent material, and transfer to a suitable container. Ventilate area. Avoid contact. Dispose of in accordance with current, applicable local, state, and federal regulations.

**KEEP CONTAINER TIGHTLY CLOSED • KEEP OUT OF REACH OF CHILDREN • NOT FOR INTERNAL CONSUMPTION • FOR INDUSTRIAL USE ONLY**

All information provided by Sika Corporation ("Sika") concerning Sika products, including but not limited to, any recommendations and advice relating to the application and use of Sika products, is given in good faith based on Sika's current experience and knowledge of its products when properly stored, handled and applied under normal conditions in accordance with Sika's instructions. In practice, the differences in materials, substrates, storage and handling conditions, actual site conditions and other factors outside of Sika's control are such that Sika assumes no liability for the provision of such information, advice, recommendations or instructions related to its products, nor shall any legal relationship be created by or arise from the provision of such information, advice, recommendations or instructions related to its products. The user of the Sika product(s) must test the product(s) for suitability for the intended application and purpose before proceeding with the full application of the product(s). Sika reserves the right to change the properties of its products without notice. All sales of Sika product(s) are subject to its current terms and conditions of sale which are available at [www.sikausa.com](http://www.sikausa.com) or by calling 800-933-7452.

**Prior to each use of any Sika product, the user must always read and follow the warnings and instructions on the product's most current Technical Data Sheet, product label and Material Safety Data Sheet which are available online at [www.sikausa.com](http://www.sikausa.com) or by calling Sika's Technical Service Department at 800-933-7452. Nothing contained in any Sika materials relieves the user of the obligation to read and follow the warnings and instruction for each Sika product as set forth in the current Technical Data Sheet, product label and Material Safety Data Sheet prior to product use.**

**LIMITED WARRANTY:** Sika warrants this product for one year from date of installation to be free from manufacturing defects and to meet the technical properties on the current Technical Data Sheet if used as directed within shelf life. User determines suitability of product for intended use and assumes all risks. Buyer's sole remedy shall be limited to the purchase price or replacement of product exclusive of labor or cost of labor. **NO OTHER WARRANTIES EXPRESS OR IMPLIED SHALL APPLY INCLUDING ANY WARRANTY OF MERCHANTABILITY OR FITNESS FOR A PARTICULAR PURPOSE. SIKASHALL NOT BELIEVE UNDER ANY LEGAL THEORY FOR SPECIAL OR CONSEQUENTIAL DAMAGES. SIKASHALL NOT BE RESPONSIBLE FOR THE USE OF THIS PRODUCT IN A MANNER TO INFRINGE ON ANY PATENT OR ANY OTHER INTELLECTUAL PROPERTY RIGHTS HELD BY OTHERS.**

Visit our website at [www.sikausa.com](http://www.sikausa.com)

1-800-933-SIKA NATIONWIDE

**Regional Information and Sales Centers.** For the location of your nearest Sika sales office, contact your regional center.

**Sika Corporation**  
201 Polito Avenue  
Lyndhurst, NJ 07071  
Phone: 800-933-7452  
Fax: 201-933-6225

**Sika Canada Inc.**  
601 Delmar Avenue  
Pointe Claire  
Quebec H9R 4A9  
Phone: 514-697-2610  
Fax: 514-694-2792

**Sika Mexicana S.A. de C.V.**  
Carretera Libre Celaya Km. 8.5  
Fracc. Industrial Balvanera  
Corregidora, Queretaro  
C.P. 76920  
Phone: 52 442 2385800  
Fax: 52 442 2250537



RESponsible CARE®

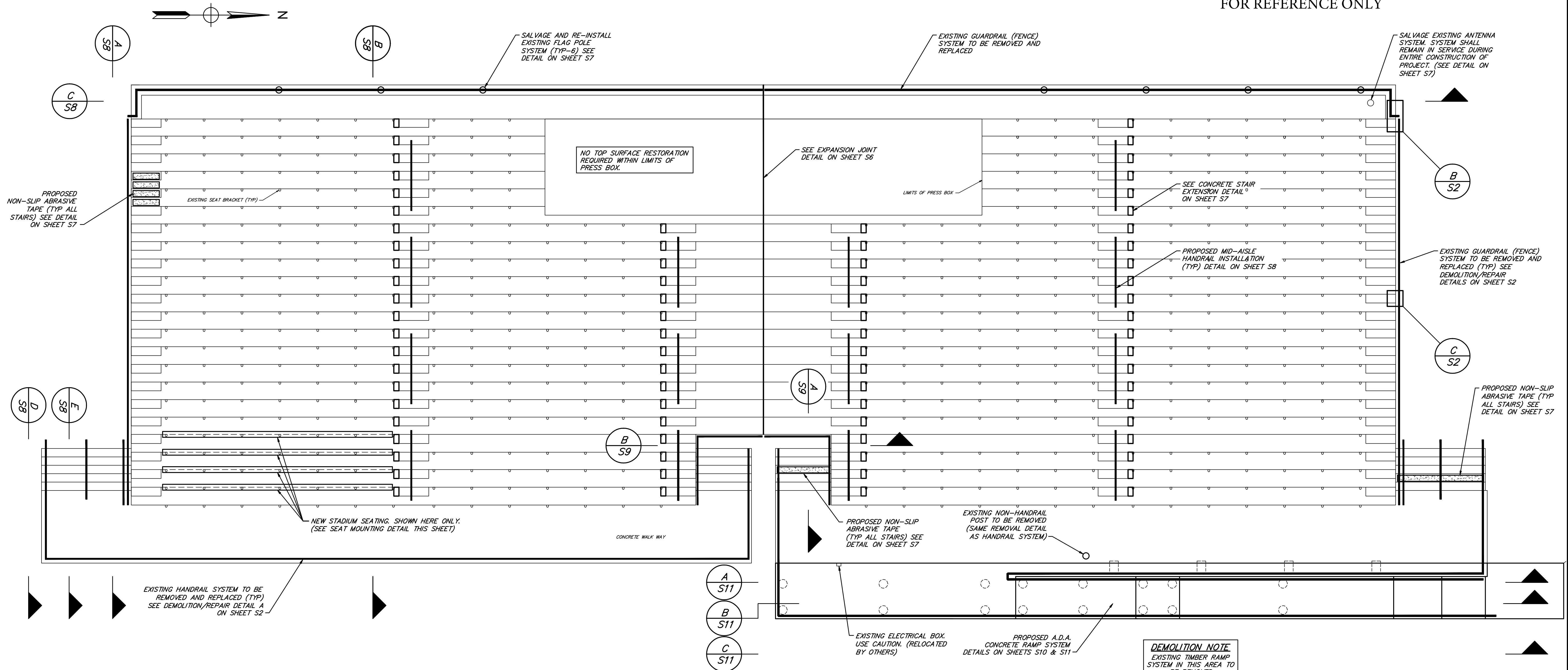
ISO 9001

Sika and FerroGard are registered trademarks. Printed in Canada.

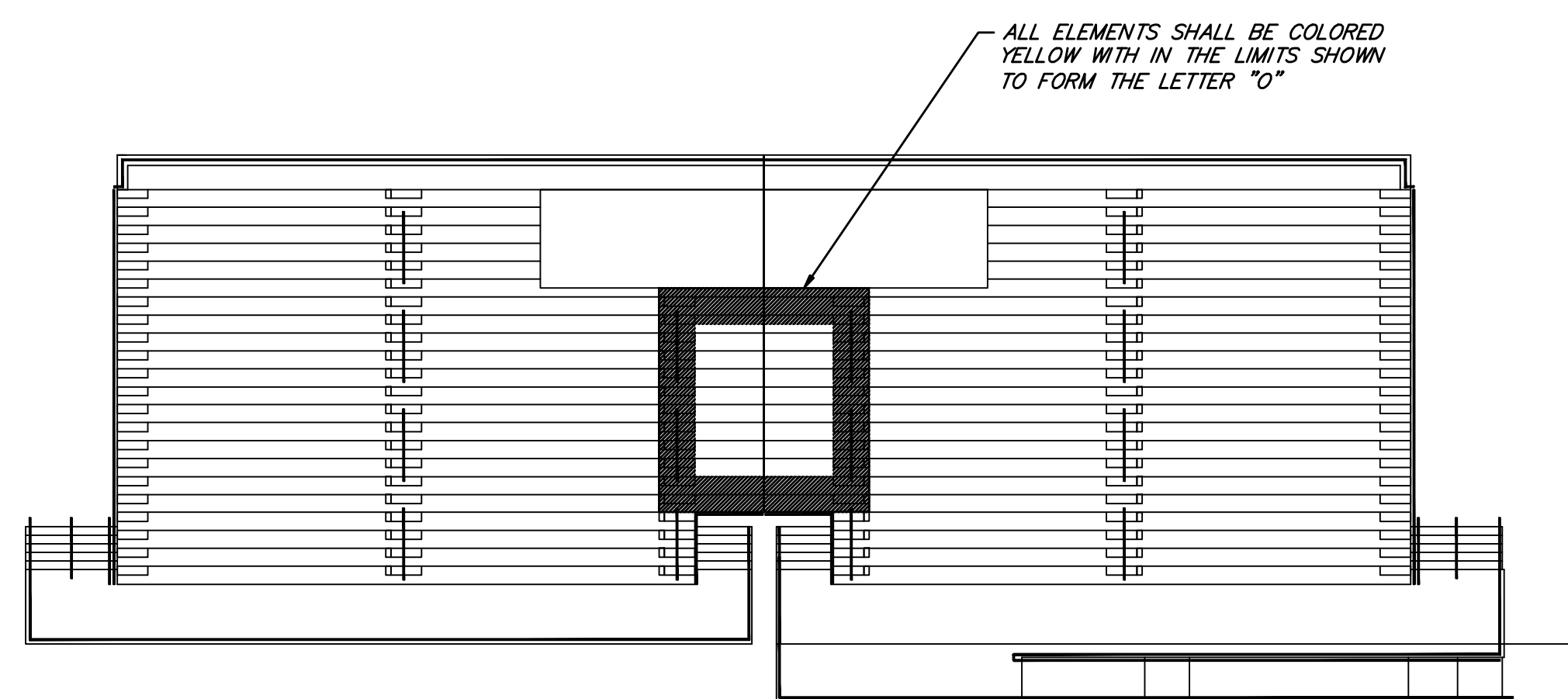




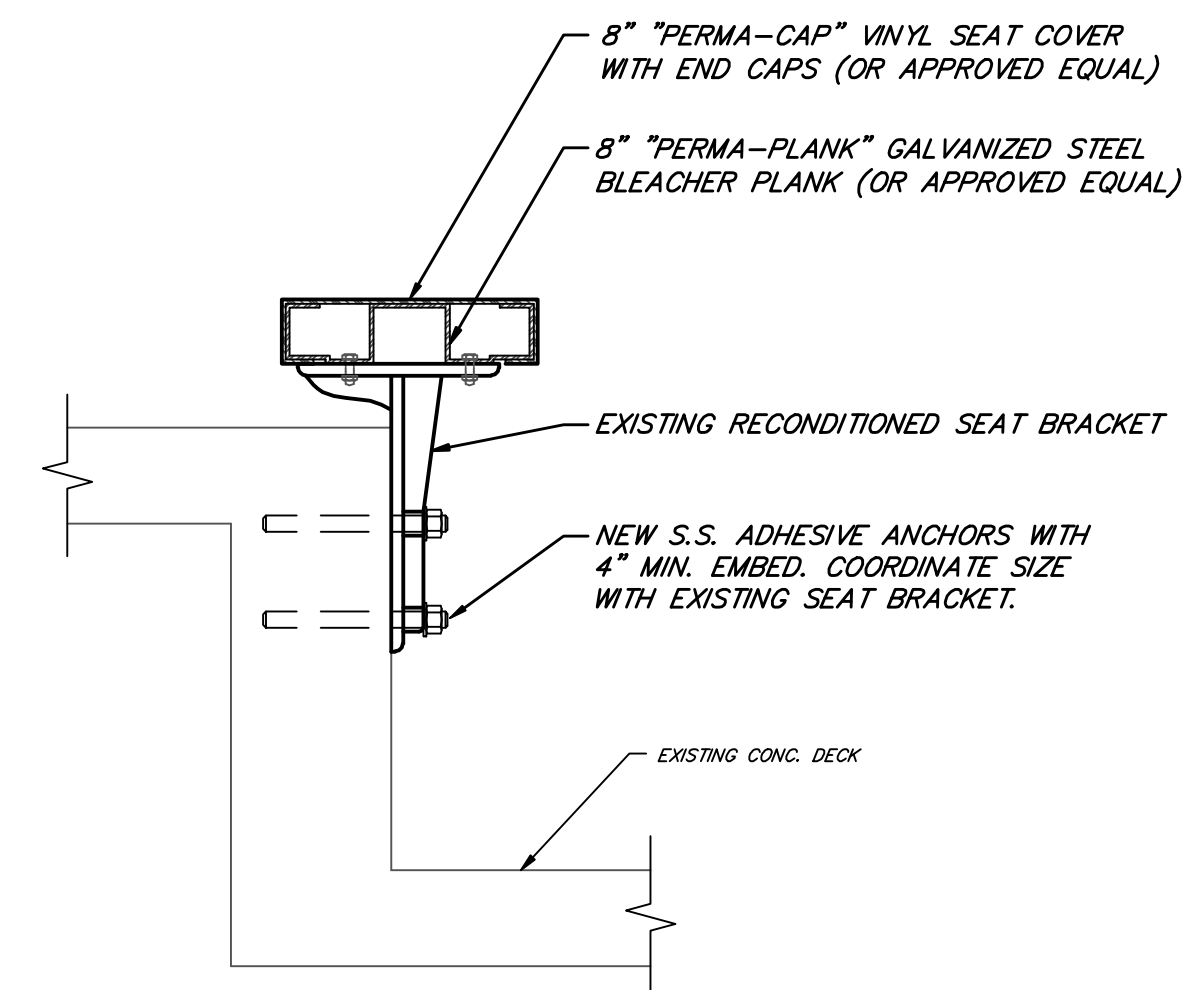
FOR REFERENCE ONLY



**EXISTING STADIUM - PLAN VIEW**  
SCALE: 3/16"=1'-0"



**STADIUM MONOGRAM DETAIL (PLAN VIEW)**  
SCALE: NO SCALE

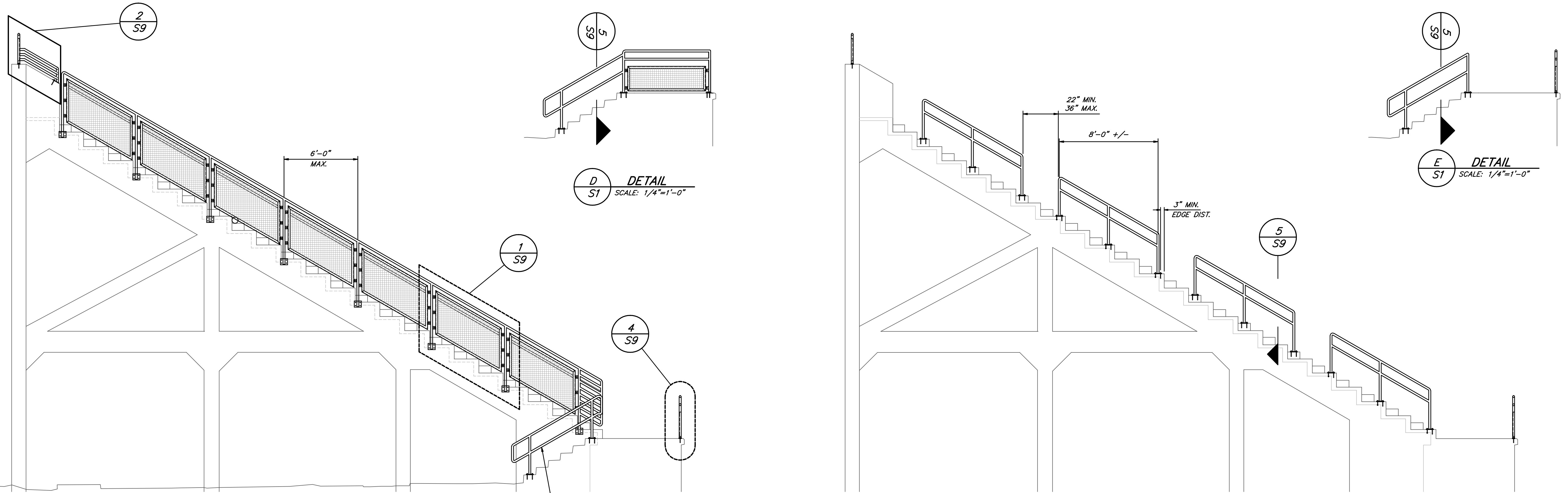


**SEAT MOUNTING DETAIL**  
SCALE: 2"=1'-0"



**EXISTING SEAT BRACKET**  
SCALE: NO SCALE  
(FOR INFORMATION ONLY)

BY	MARK	REVISIONS	DATE
<small>THE WORK REPRESENTED BY THIS DRAWING WAS DESIGNED BY THE ENGINEER FOR THIS SPECIFIC APPLICATION AND SPECIFIC LOCATION DESCRIBED HEREIN IN ACCORDANCE WITH THE CONDITIONS PREVALENT AT THE TIME THE DESIGN WAS DONE. THE ENGINEER DOES NOT GUARANTEE AND WILL NOT BE LIABLE FOR ANY OTHER LOCATION, CONDITION, DESIGN OR PURPOSE.</small>			
<b>WILLMAN FIELD RENOVATION OWOSSO PUBLIC SCHOOLS</b>			
<b>PROPOSED RAILING, STEPS, SEAT AND A.D.A. RAMP LAYOUT</b>			
<b>Spicer group</b>		<small>SAGINAW OFFICE 230 S. Washington Ave. Saginaw, MI 48607 Tel. 989-754-4717 Fax. 989-754-4440 www.SpicerGroup.com</small>	
DE. BY:	KMT	CH. BY:	SRW
DR. BY:	KMT	APP. BY:	DWH
			PROJECT NO. 120969562013
STDS.		SHEET	2 OF 33
DATE	JANUARY, 2014	FILE NO.	DA-1261-02
SCALE	AS SHOWN		1



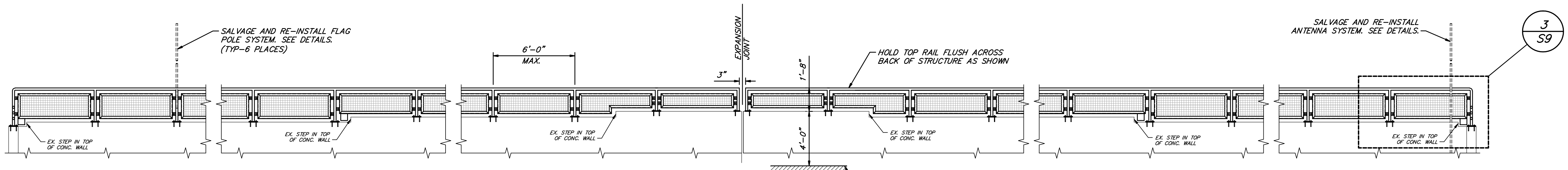
**A** SECTION  
S1 SCALE: 1/4"=1'-0"

**D** DETAIL  
S1 SCALE: 1/4"=1'-0"

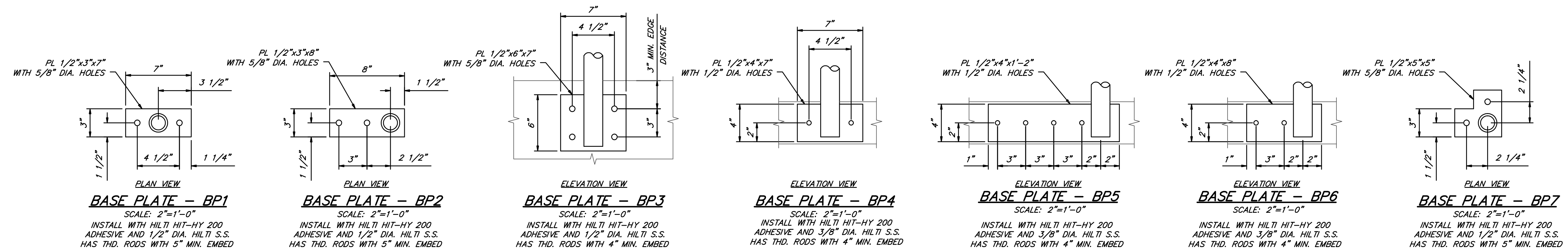
**B** SECTION  
S1 SCALE: 1/4"=1'-0"

**E** DETAIL  
S1 SCALE: 1/4"=1'-0"

SEE SIMILAR DETAIL 5 ON SHEET S8  
(TYPICAL MID-AISLE STEEL HANDRAIL DETAILS)



**C** SECTION  
S1 SCALE: 1/4"=1'-0"



**BASE PLATE - BP1**  
SCALE: 2"=1'-0"  
INSTALL WITH HILTI HIT-HY 200 ADHESIVE AND 1/2" DIA. HILTI S.S. HAS THD. RODS WITH 5" MIN. EMBED

**BASE PLATE - BP2**  
SCALE: 2"=1'-0"  
INSTALL WITH HILTI HIT-HY 200 ADHESIVE AND 1/2" DIA. HILTI S.S. HAS THD. RODS WITH 5" MIN. EMBED

**BASE PLATE - BP3**  
SCALE: 2"=1'-0"  
INSTALL WITH HILTI HIT-HY 200 ADHESIVE AND 1/2" DIA. HILTI S.S. HAS THD. RODS WITH 4" MIN. EMBED

**BASE PLATE - BP4**  
SCALE: 2"=1'-0"  
INSTALL WITH HILTI HIT-HY 200 ADHESIVE AND 3/8" DIA. HILTI S.S. HAS THD. RODS WITH 4" MIN. EMBED

**BASE PLATE - BP5**  
SCALE: 2"=1'-0"  
INSTALL WITH HILTI HIT-HY 200 ADHESIVE AND 3/8" DIA. HILTI S.S. HAS THD. RODS WITH 4" MIN. EMBED

**BASE PLATE - BP6**  
SCALE: 2"=1'-0"  
INSTALL WITH HILTI HIT-HY 200 ADHESIVE AND 3/8" DIA. HILTI S.S. HAS THD. RODS WITH 4" MIN. EMBED

**BASE PLATE - BP7**  
SCALE: 2"=1'-0"  
INSTALL WITH HILTI HIT-HY 200 ADHESIVE AND 1/2" DIA. HILTI S.S. HAS THD. RODS WITH 5" MIN. EMBED

BY: KMT	REVISIONS	DATE
<p>THE WORK REPRESENTED BY THIS DRAWING WAS DESIGNED BY THE ENGINEER FOR THIS SPECIFIC APPLICATION AND SPECIFIC LOCATION DESCRIBED HEREON IN ACCORDANCE WITH THE CONDITIONS PREVALENT AT THE TIME THE DESIGN WAS DONE. THE ENGINEER DOES NOT GUARANTEE AND WILL NOT BE LIABLE FOR ANY OTHER LOCATION, CONDITION, DESIGN OR PURPOSE.</p>		
<p>WILLMAN FIELD RENOVATION OWOSSO PUBLIC SCHOOLS</p>		
<p>HANDRAIL/GUARDRAIL SECTIONS AND BASE PLATE DETAILS</p>		
<p>SAGINAW OFFICE 230 S. Washington Ave. Saginaw, MI 48607 Tel. 989-754-4717 Fax. 989-754-4440 www.SpicerGroup.com</p>		
DE. BY: KMT	CH. BY: SRW	PROJECT NO. 120969SG2013
DR. BY: KMT	APP. BY: DWH	
STDS.	SHEET 9 OF 33	S
DATE JANUARY, 2014	FILE NO. DA-1261-09	8
SCALE AS SHOWN		

RET. F.B. PG. ACAD FILE: PLOTTING SCALE: