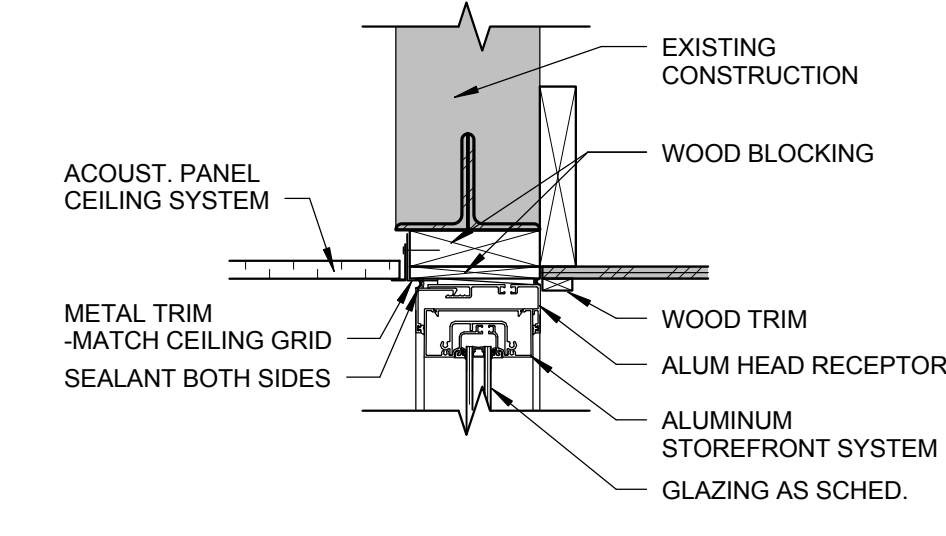
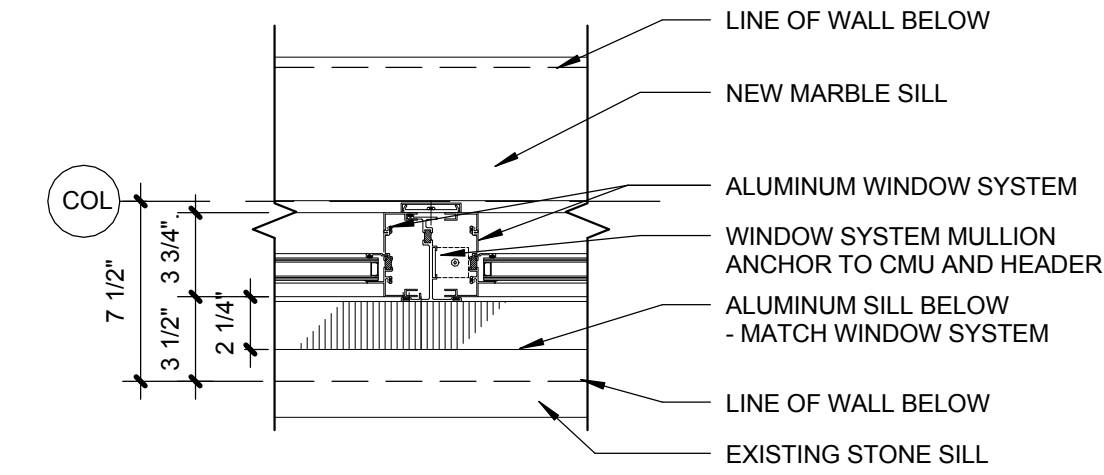


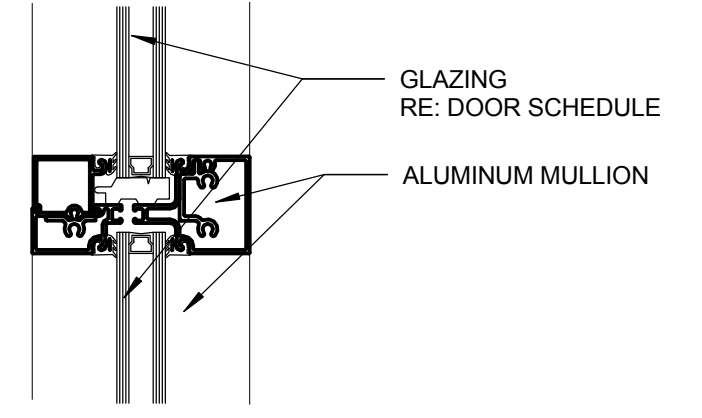
G4 DOOR HEADER W/ TRANSOM DETAIL
3" = 1'-0" REFERENCED ON A4 / A511



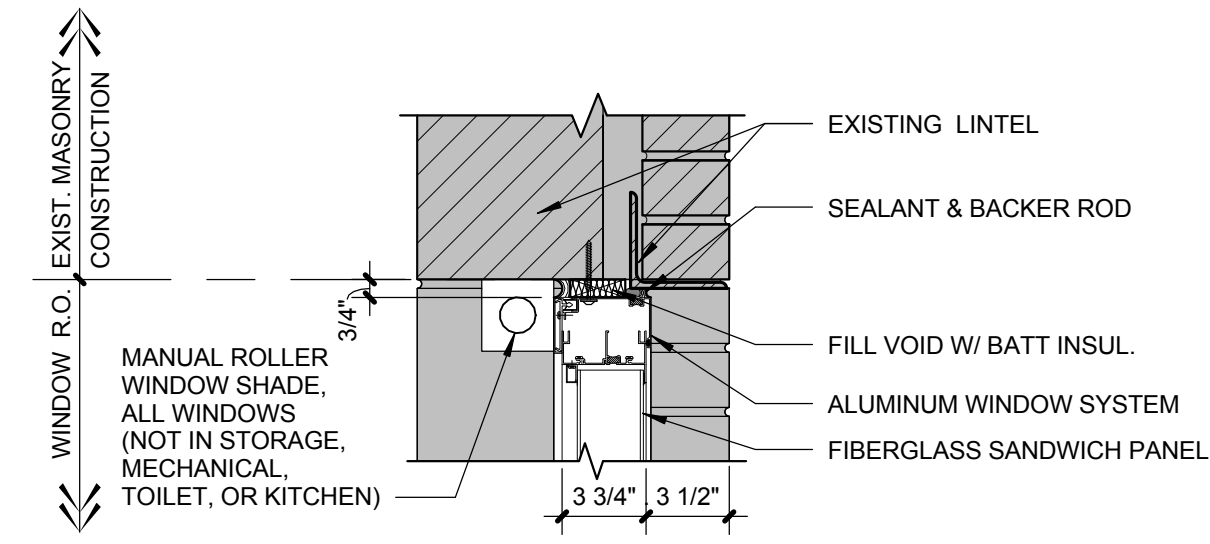
G6 HEAD DETAIL @ VEST C100
1 1/2" = 1'-0" REFERENCED ON /



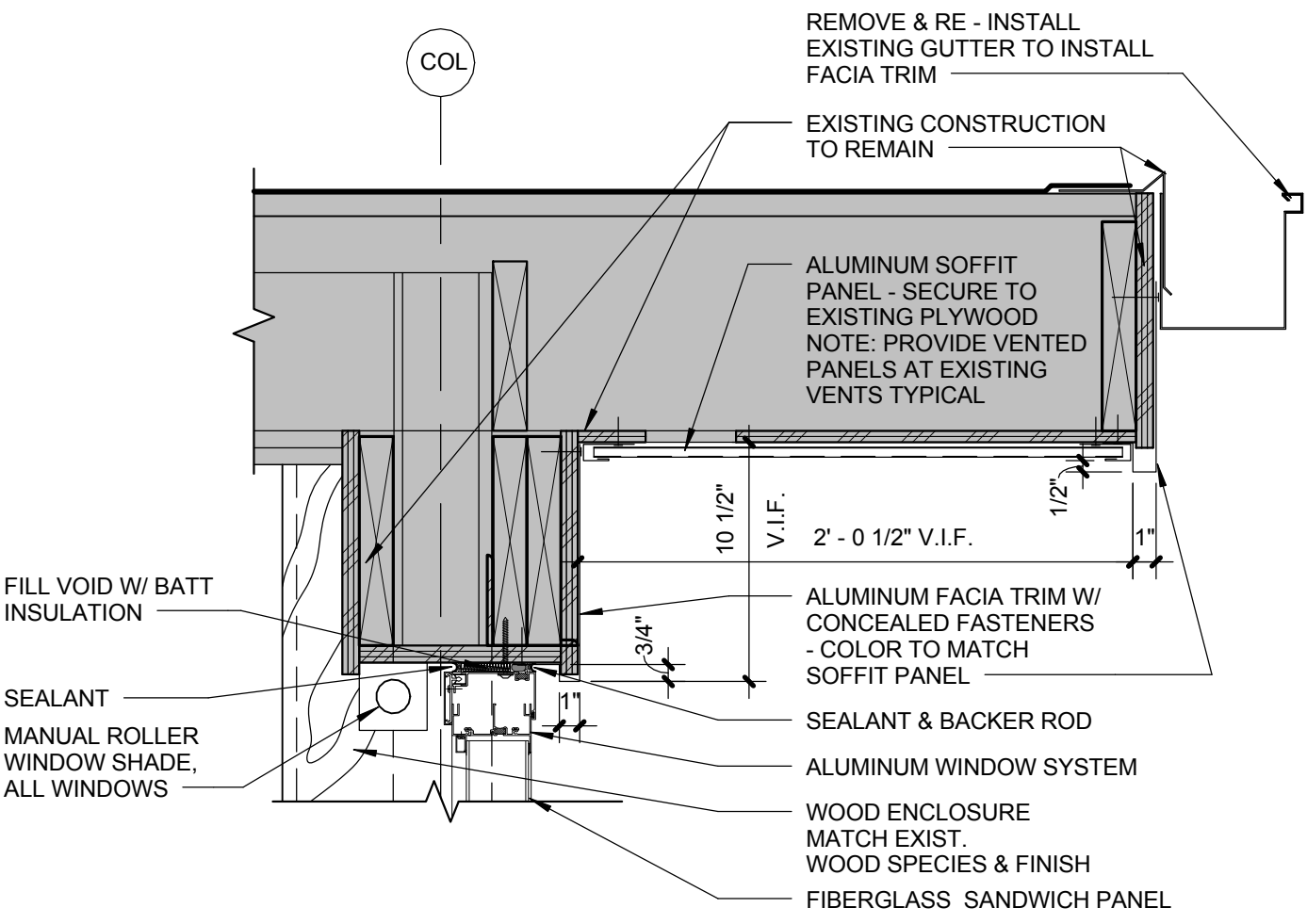
G8 JAMB @ STRUCTURAL MULLION
1 1/2" = 1'-0" REFERENCED ON A5 / A201



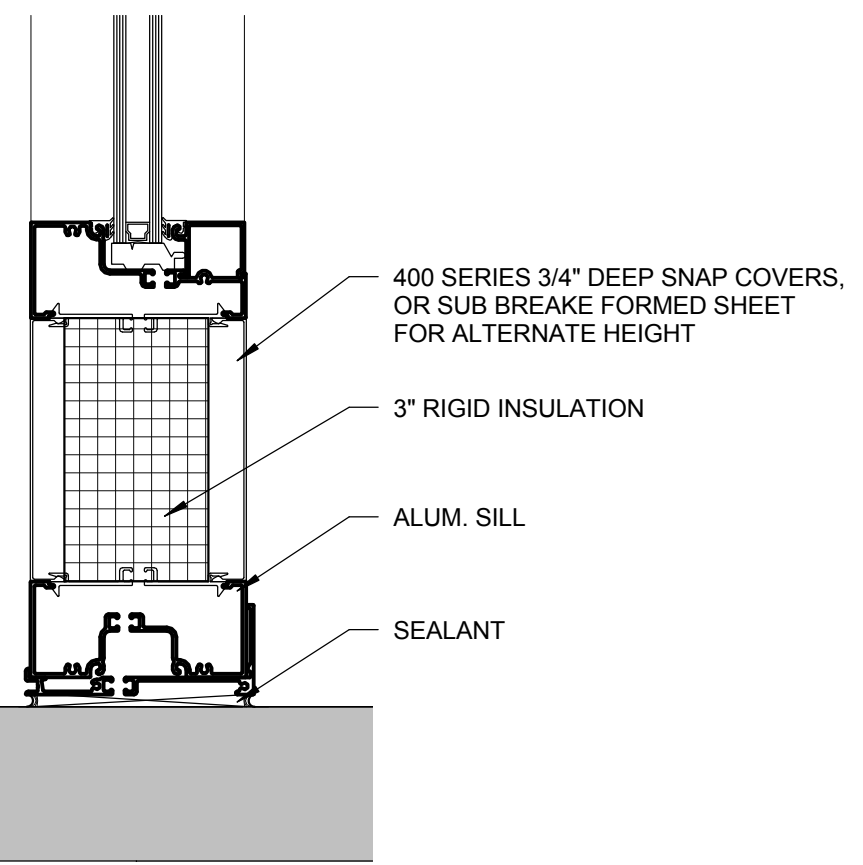
F4 INTERMEDIATE MULLION
3" = 1'-0" REFERENCED ON A4 / A511



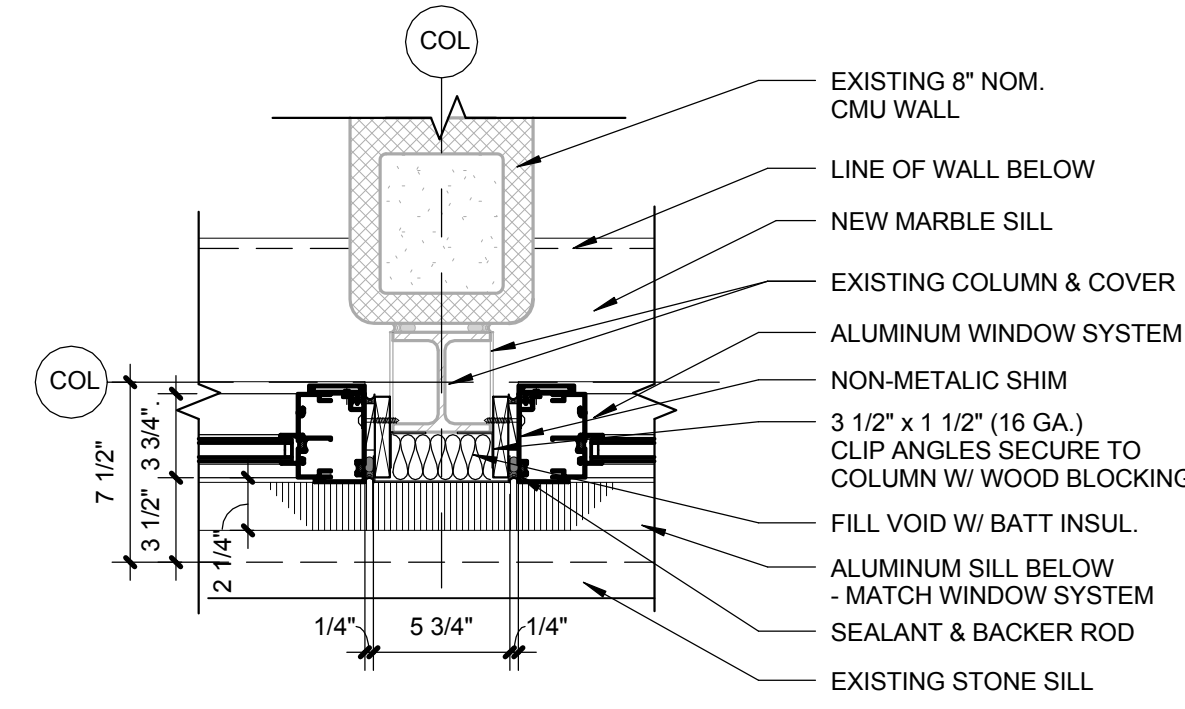
F6 HEAD DETAIL @ MASONRY
1 1/2" = 1'-0" REFERENCED ON A3 / A201



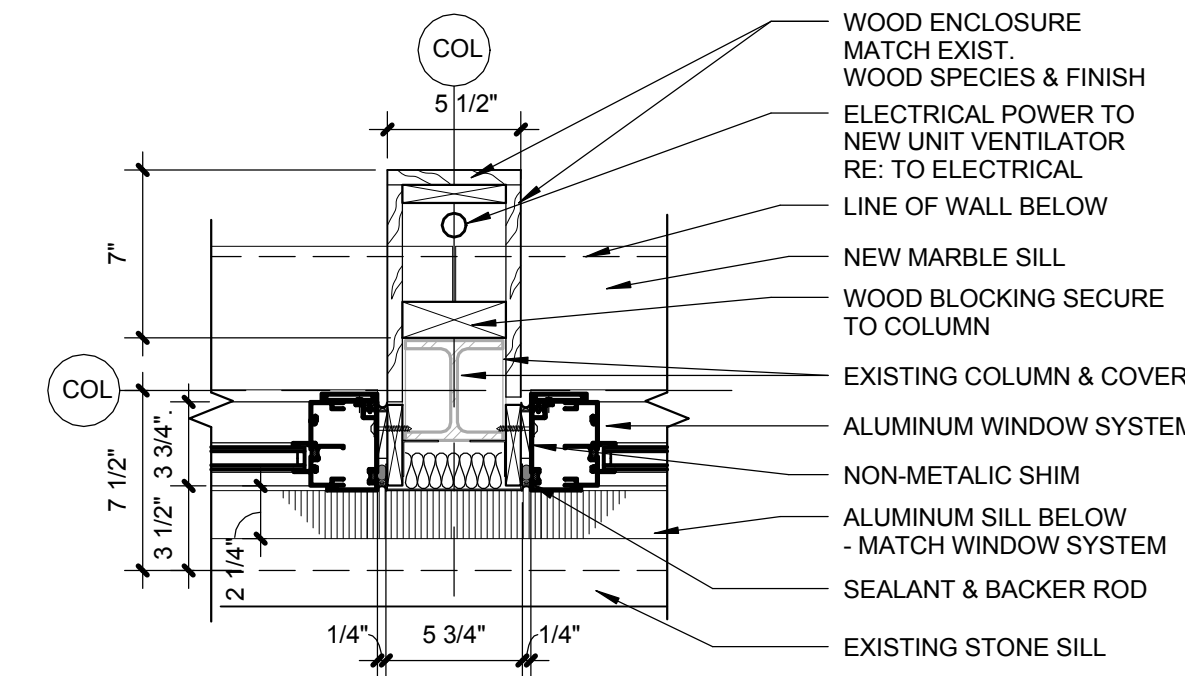
F8 WINDOW DETAIL HEAD
1 1/2" = 1'-0" REFERENCED ON A5 / A201



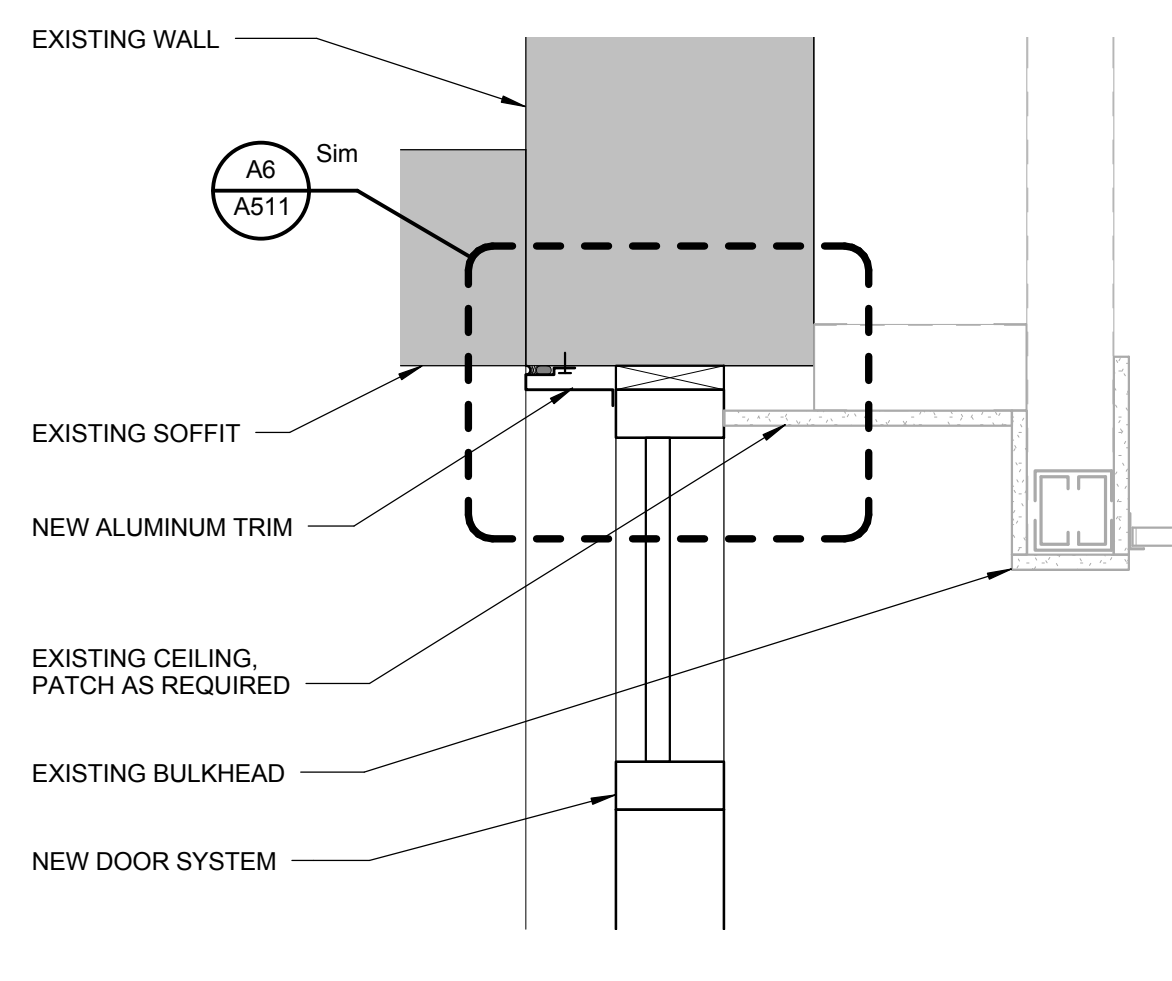
D4 SILL DETAIL
3" = 1'-0" REFERENCED ON A4 / A511



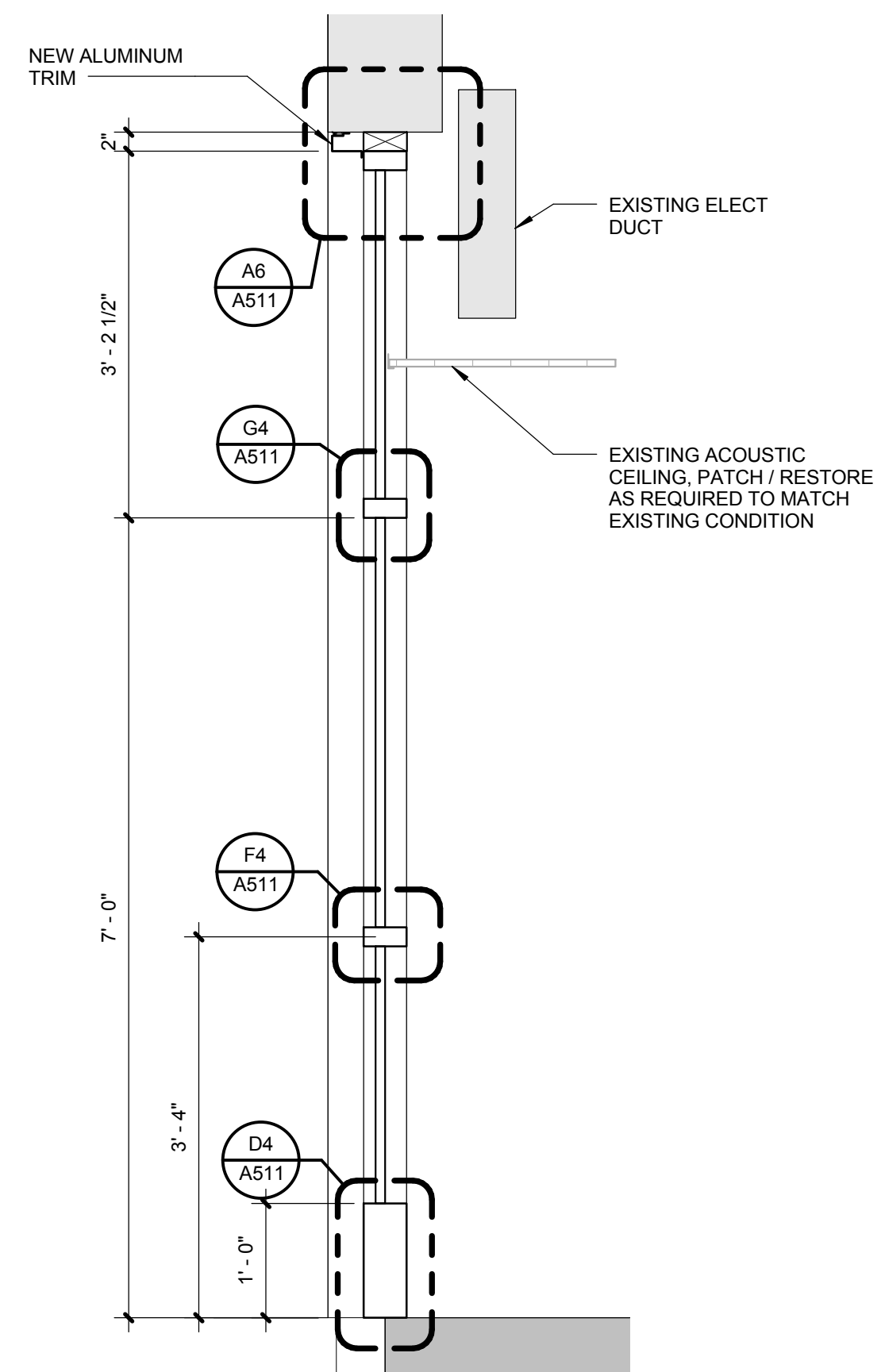
D6 PLAN DETAIL @ COL./ WALL(WT-3)
1 1/2" = 1'-0" REFERENCED ON A4 / A113



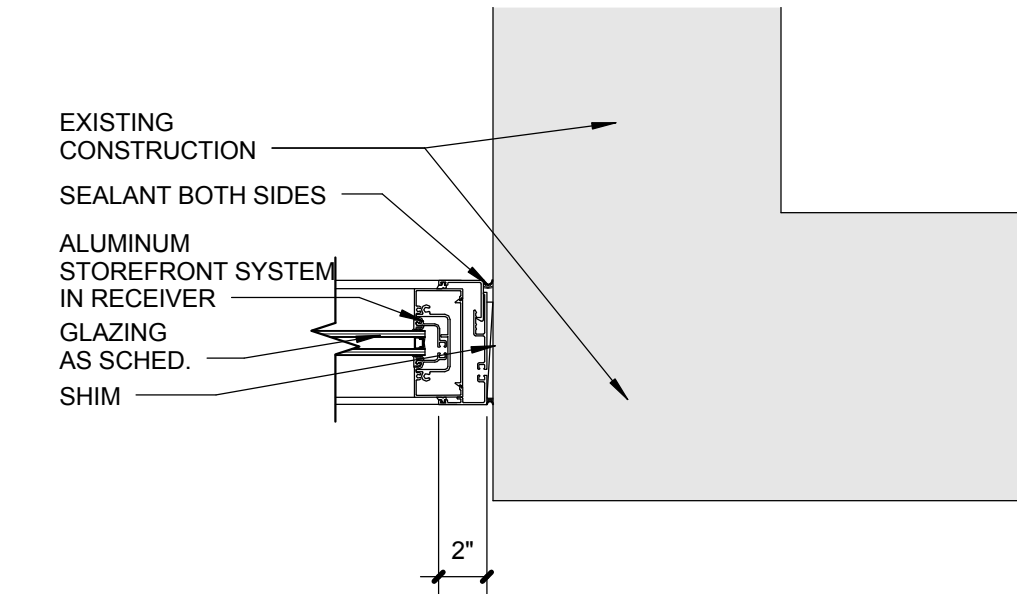
D8 WINDOW DETAIL @ COLUMN
1 1/2" = 1'-0" REFERENCED ON E8 / A201



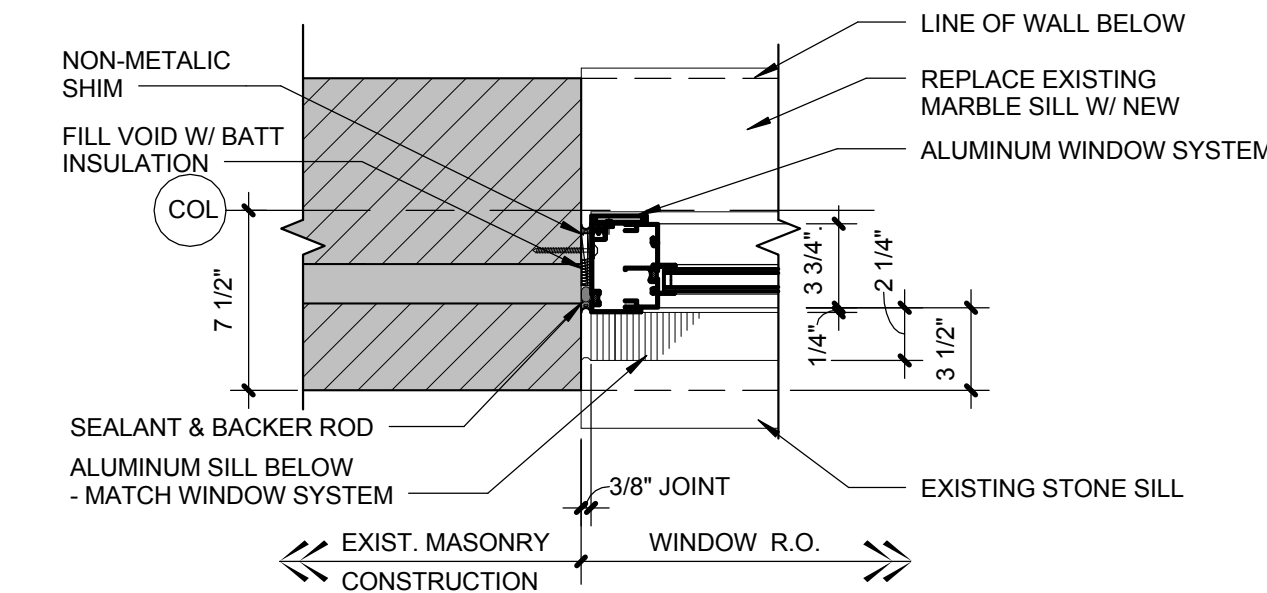
A2 SECTION THRU DOOR A110 / A110A
1 1/2" = 1'-0"



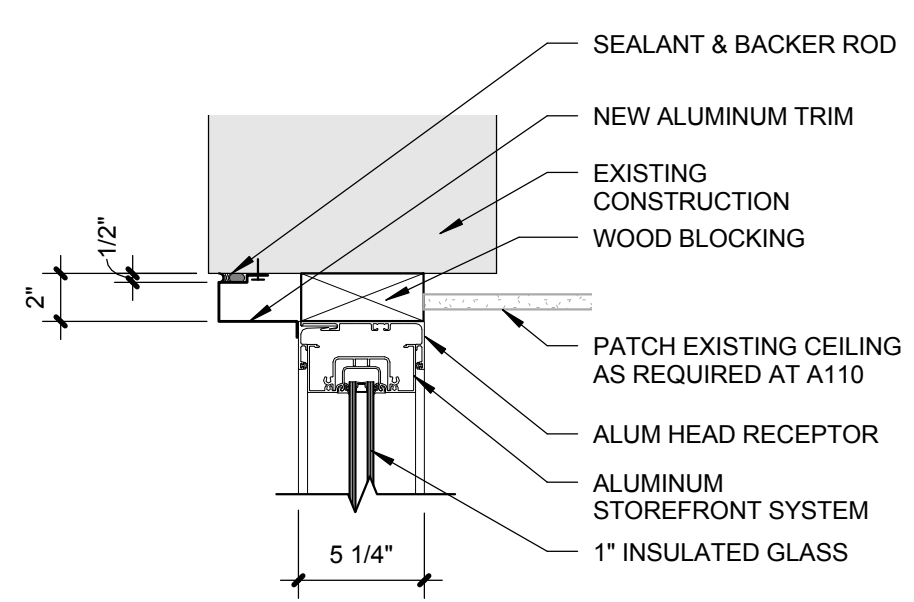
A4 SECTION THRU B127 ENTRY
3/4" = 1'-0"



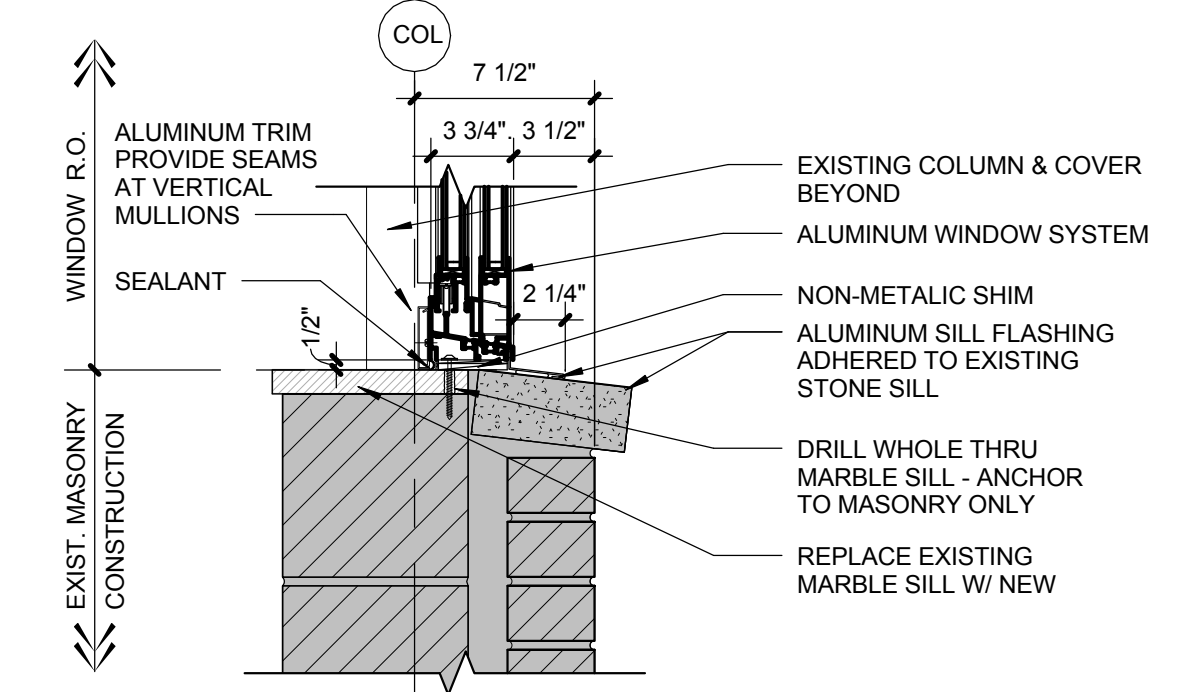
B6 JAMB DETAIL @ VESTIBULE
1 1/2" = 1'-0"



B8 WINDOW DETAIL @ MASONRY JAMB1
1 1/2" = 1'-0" REFERENCED ON A5 / A201



A6 TRANSOM HEADER @ ENTRY
1 1/2" = 1'-0" REFERENCED ON A2 / A511



A8 WINDOW DETAIL @ SILL
1 1/2" = 1'-0" REFERENCED ON A3 / A201

Final Plans for Bidding and Construction



AIRPORT COMMUNITY SCHOOLS
EYLER ELEMENTARY SCHOOL
WINDOW / DOOR REPLACEMENT
Carleton, Michigan

DRAWN: Author
CHECKED: Checker
SCALE: As Indicated

ISSUE:
03-23-15 BDS

SHEET TITLE:
HEAD, JAMB, AND SILL DETAILS