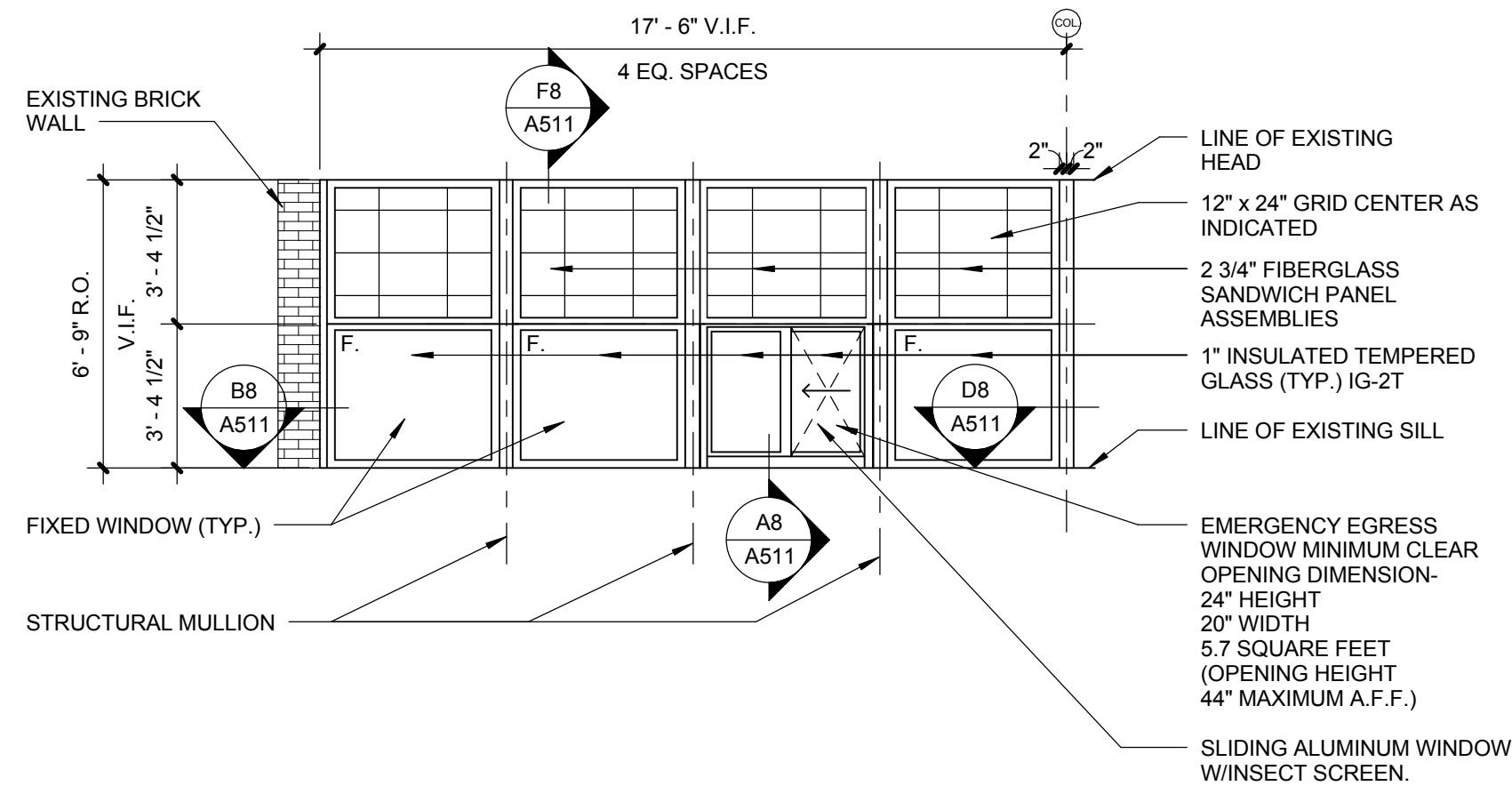
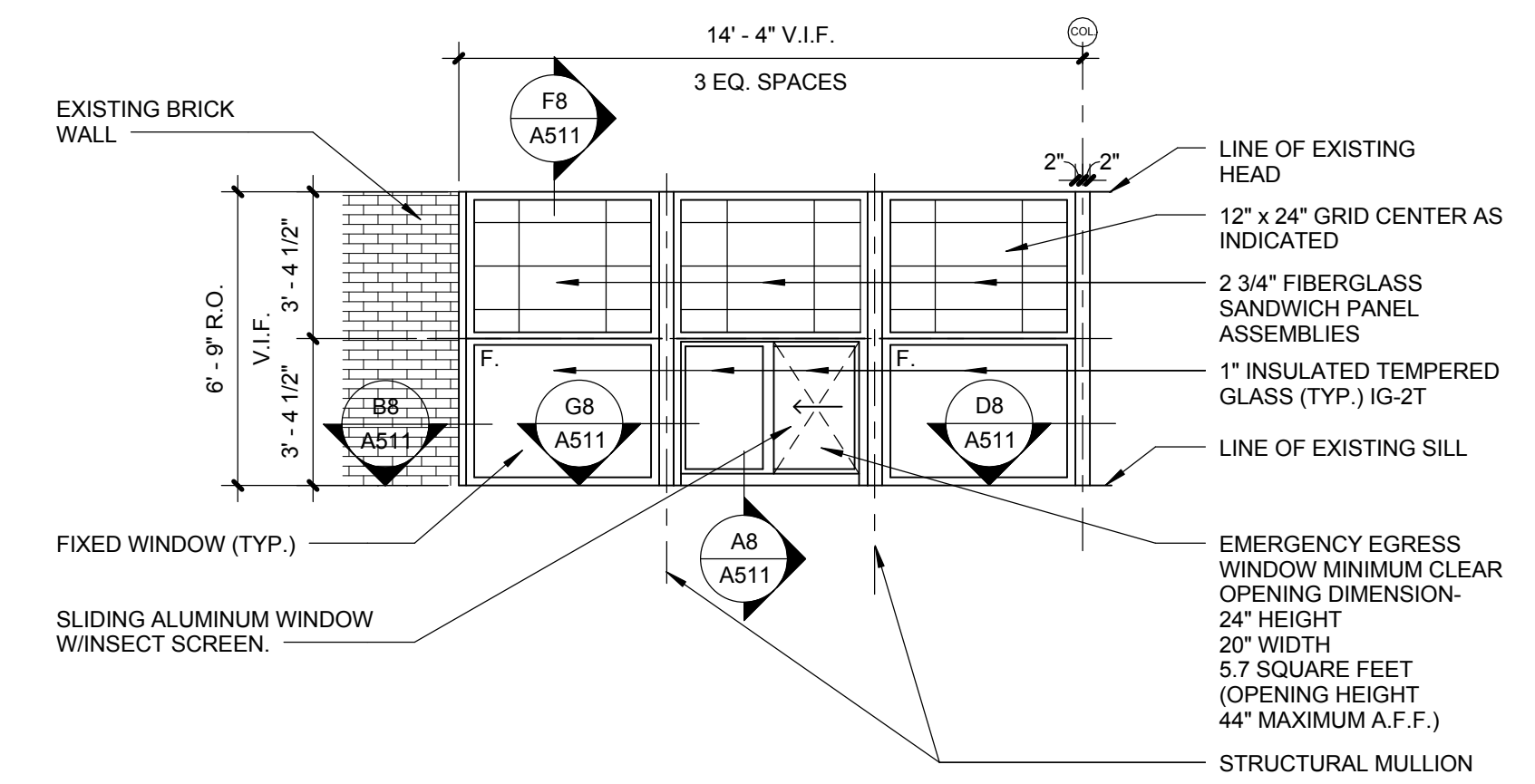


GLAZING SCHEDULE

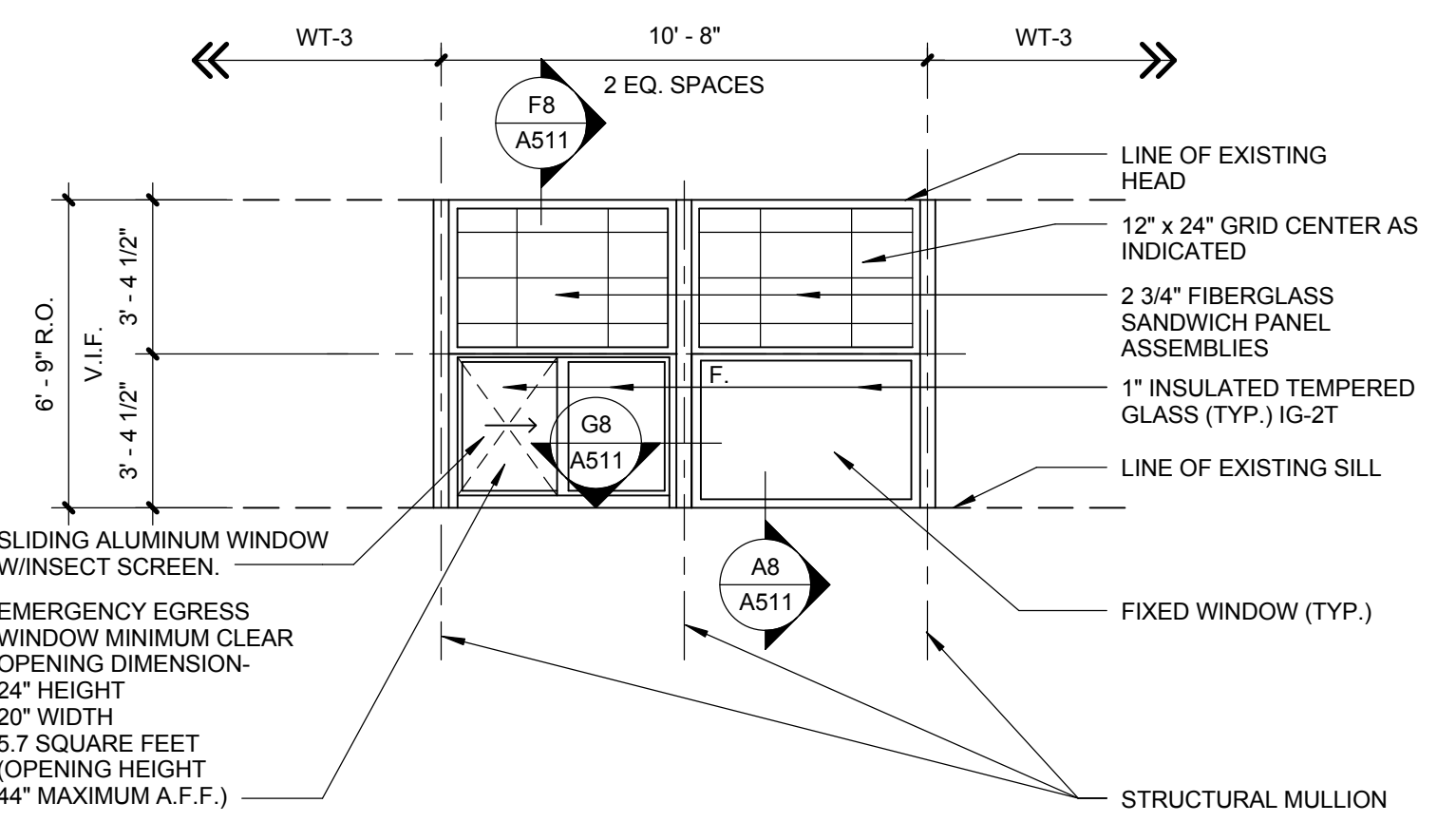
GLAZING TYPE	DESCRIPTION
MG-1	MONOLITHIC CLEAR
IG-2T	INSULATING GRAY - TEMPERED
ILG-2T	INSULATING GRAY LAMINATED - TEMPERED (PRIVACY)



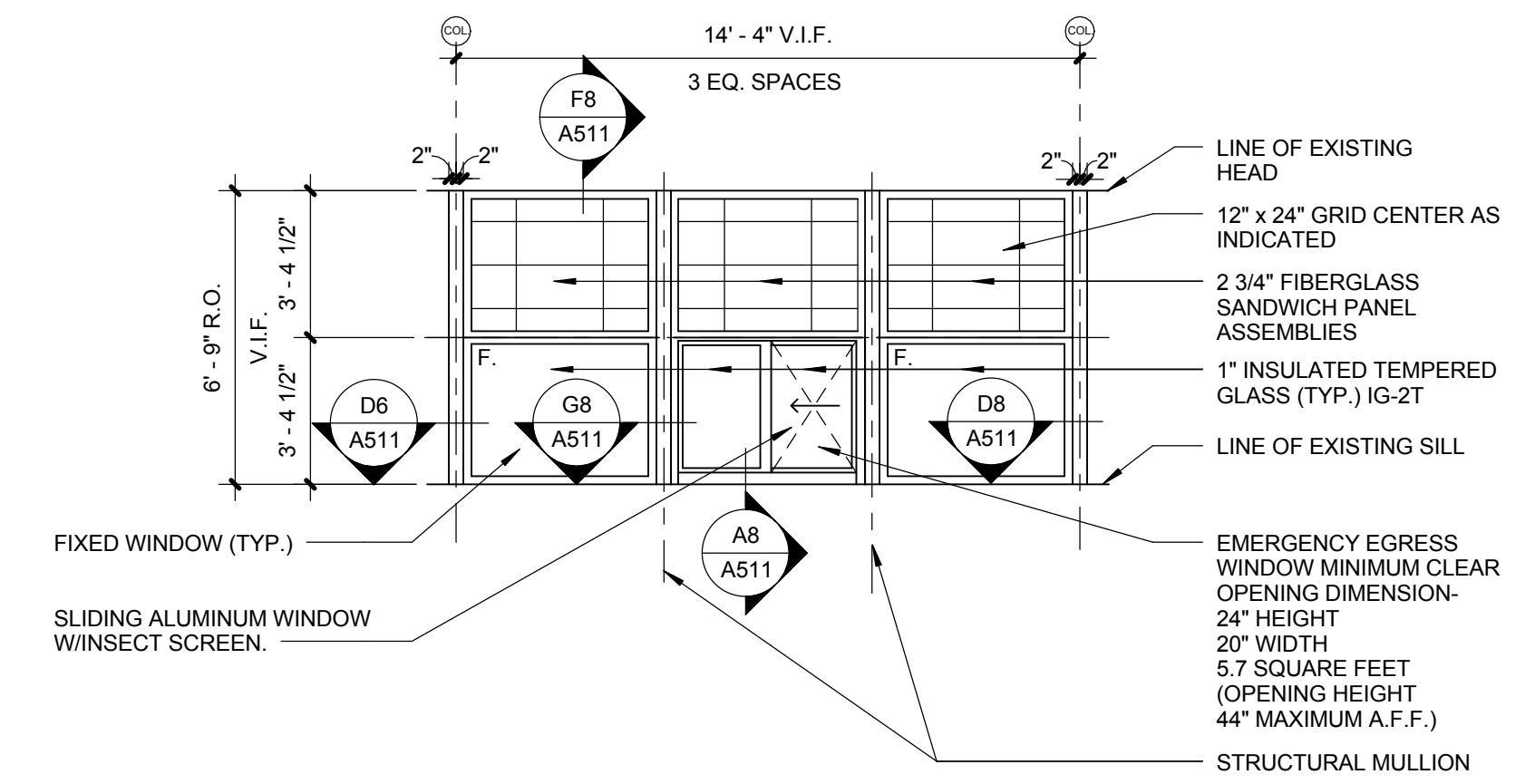
G5 WINDOW TYPE 8 (WT-8)  
1/4" = 1'-0" REFERENCED ON /



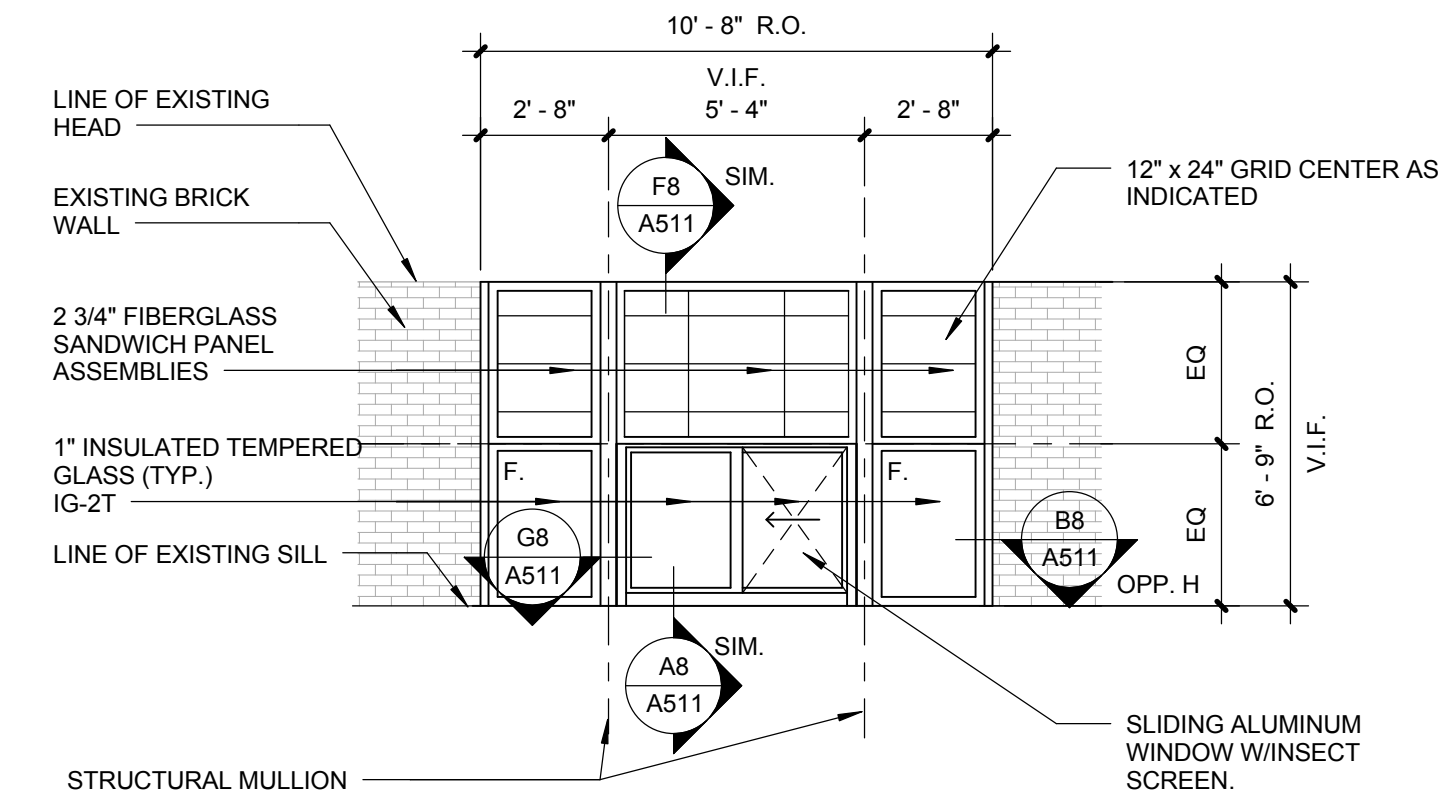
G8 WINDOW TYPE 4 (WT-4)  
1/4" = 1'-0"



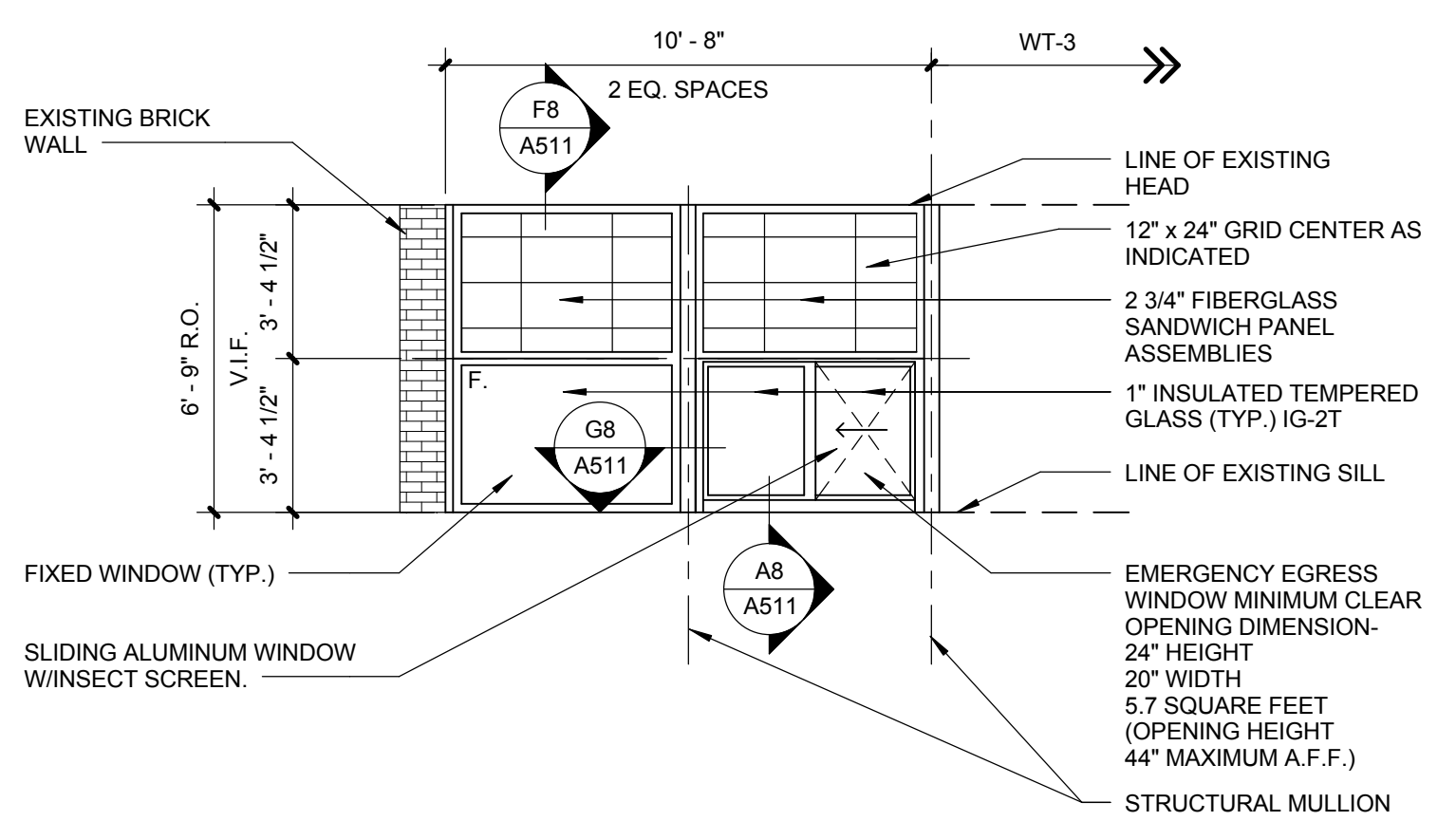
E5 WINDOW TYPE 7 (WT-7)  
1/4" = 1'-0"



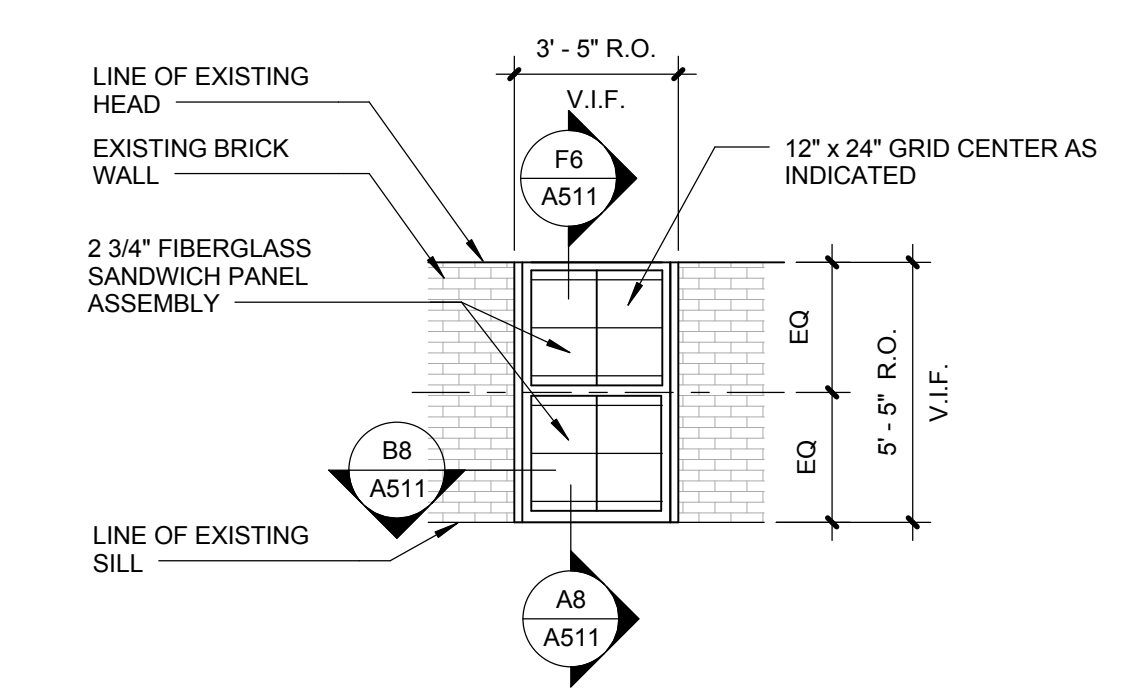
E8 WINDOW TYPE 3 (WT-3)  
1/4" = 1'-0"



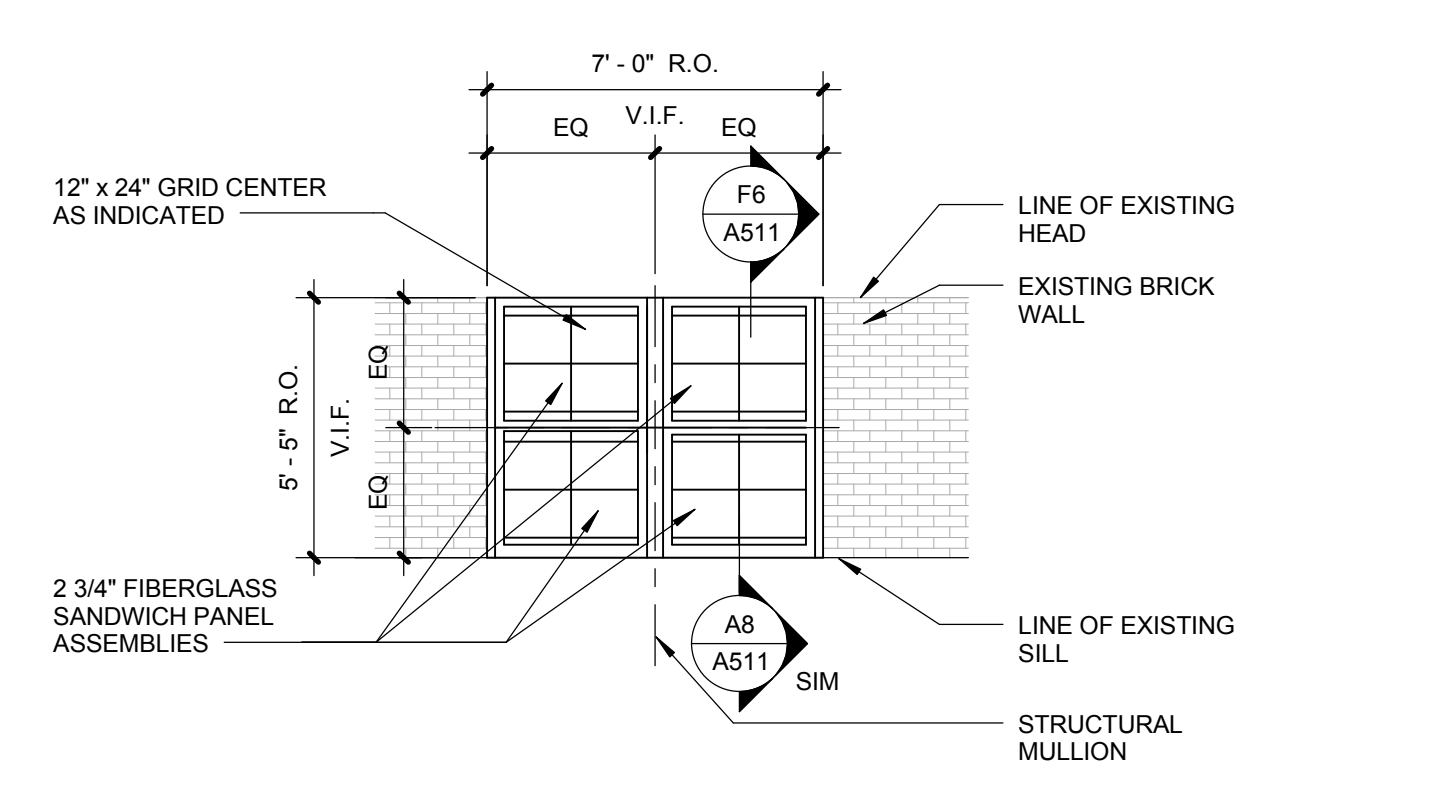
C3 WINDOW TYPE 10 (WT-10)  
1/4" = 1'-0"



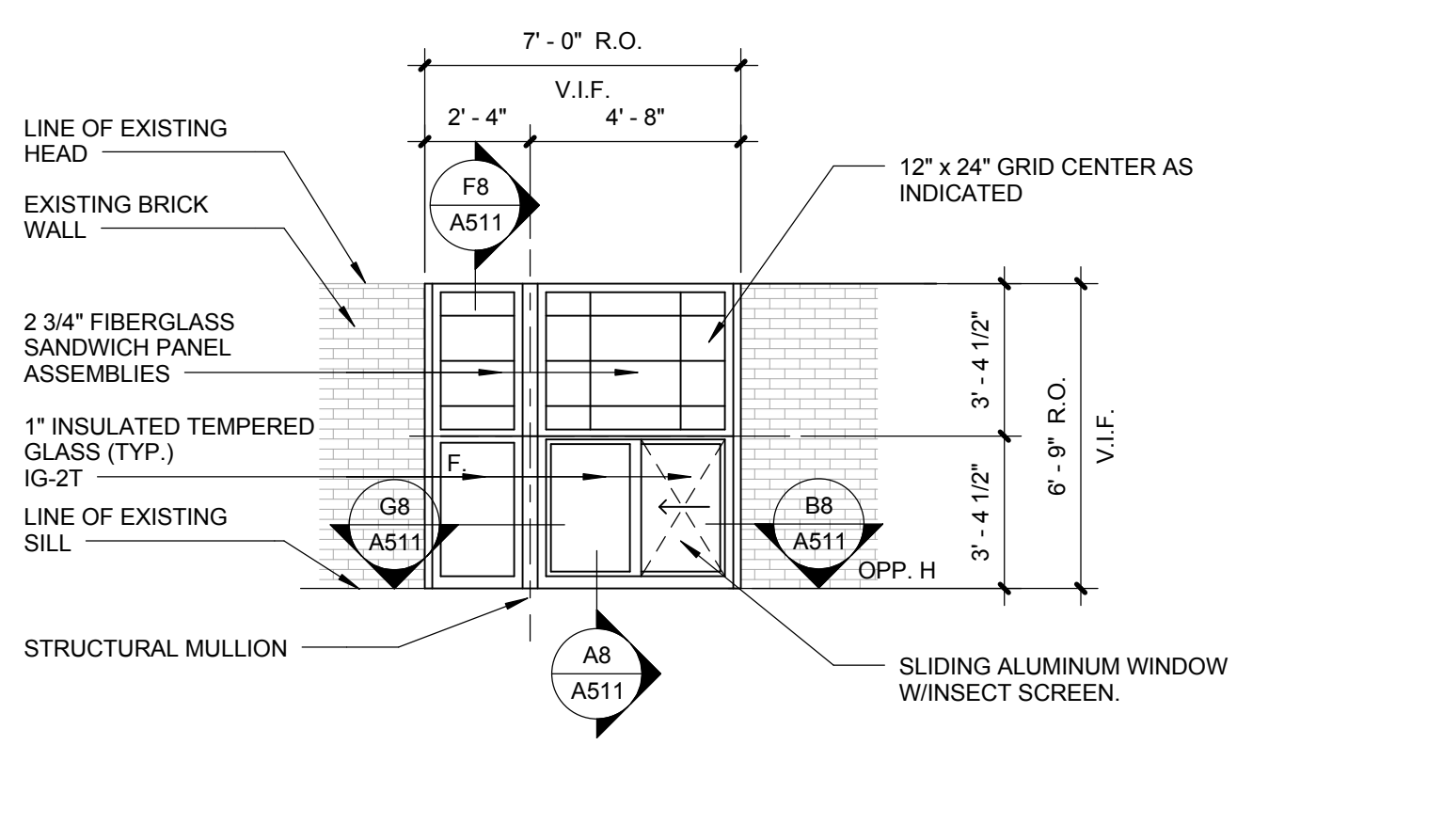
C5 WINDOW TYPE 6 (WT-6)  
1/4" = 1'-0"



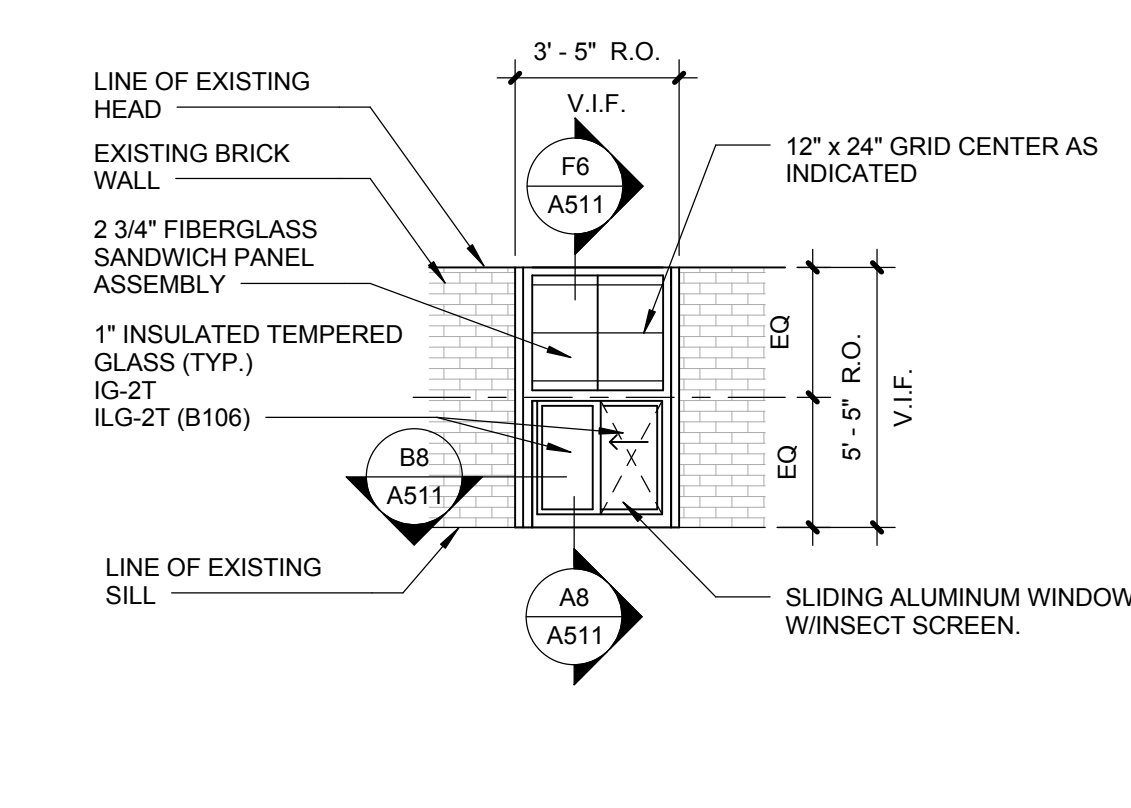
C8 WINDOW TYPE 2 (WT-2)  
1/4" = 1'-0"



A3 WINDOW TYPE 9 (WT-9)  
1/4" = 1'-0"



A5 WINDOW TYPE 5 (WT-5)  
1/4" = 1'-0"



A8 WINDOW TYPE 1 (WT-1)  
1/4" = 1'-0"

Final Plans for Bidding and Construction



AIRPORT COMMUNITY SCHOOLS  
EYLER ELEMENTARY SCHOOL  
WINDOW / DOOR REPLACEMENT  
Carleton, Michigan

DRAWN: Author  
CHECKED: Checker  
SCALE: 1/4" = 1'-0"

ISSUE:  
03-23-15 BDS

SHEET TITLE:  
EXTERIOR ELEVATIONS

A201  
214100176