

WAKELY ASSOCIATES, INC.
ARCHITECTS
30500 Van Dyke Avenue Suite M-7
Warren, Michigan 48093

ADDENDUM NO. THREE
WARREN WOODS PUBLIC SCHOOLS
TOWER HIGH SCHOOL
2013 KITCHEN/SERVERY RENOVATIONS
Page 1 of 1 (write up only)

April 2, 2013

ADDENDUM NO. THREE to the plans and specifications for the WARREN WOODS PUBLIC SCHOOLS, TOWER HIGH SCHOOL, 2013 KITCHEN/SERVERY RENOVATIONS, Architect's Project No. 121451, dated March 11, 2013.

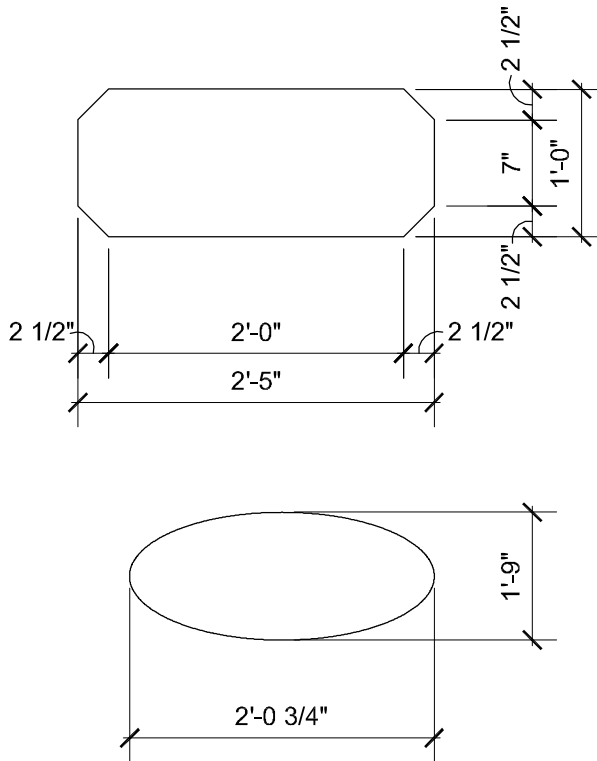
The above plans and specifications are modified, supplemented or augmented as follows, and this ADDENDUM NO. THREE, is hereby made a part of the contract documents.

Sketch SK-1 is being issued with this Addendum

ARCHITECTURAL

- ITEM NO. 1:** Refer to Sketch SK-1 (issued with this Addendum) for signage size.
- a. Contractor shall provide (2) two signs. One (1) oval and one (1) rectangular with chamfered edges as indicated on Sketch SK-1.
 - 1. Oval sign shall indicate "COLD STUFF".
 - 2. Rectangular sign with chamfered edges shall indicate "HOT AND COLD STUFF".
 - b. Signs shall be hung from ceiling/bulkheads, bottom of sign at 7'-0"h.

END OF ADDENDUM NO. 3



SIGN TYPES

SCALE: 3/4" = 1'-0"

NOTE:
LETTERS ARE TO BE 3 1/2"
HIGH, RAISED 1/2" FROM FACE
OF SIGN



WAKELY ASSOCIATES, INC./
ARCHITECTS

30500 Van Dyke Avenue, Suite M-7,
Warren, Michigan 48093
PH: 586.573.4100
FX: 586.573.0822
EM: wa@wakelyaia.com

Warren Woods Public Schools
Tower High School
2013 Kitchen/Serving Renovations

SCALE: NONE

DRAWN BY: JSM	PROJECT NO.: 121451
APPROVED BY: RS	REFERENCE SHEET: -
DATE: 03/14/2013	SHEET NO.: SK-1