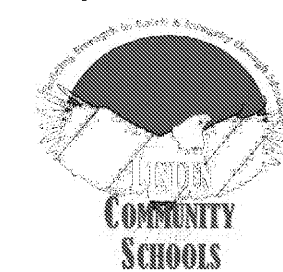


Integrated Design Solutions, LLC
Architecture, Engineering, Interiors & Technology

1441 West Long Lake, Suite 200, Troy, MI 48098
tel 248.823.2100 - fax 248.823.2200
www.ids-troy.com

Project Title



LINDEN COMMUNITY SCHOOLS

2013 Sinking Fund Projects

Linden, Michigan

Key Plan

Project Administrator: Seal:
K. Delzer

Project Designer:
B. Ingham

Project Architect / Engineer:
B. Ingham

Drawn By:
B. Ingham

Q.M. Review:
K. Delzer

Approved:
K. Delzer

Drawing Scale:
As Noted

Issue Date: Issued for:

03-11-13 Quality Management Review

03-15-13 Bids

03-28-13 Addendum No 1

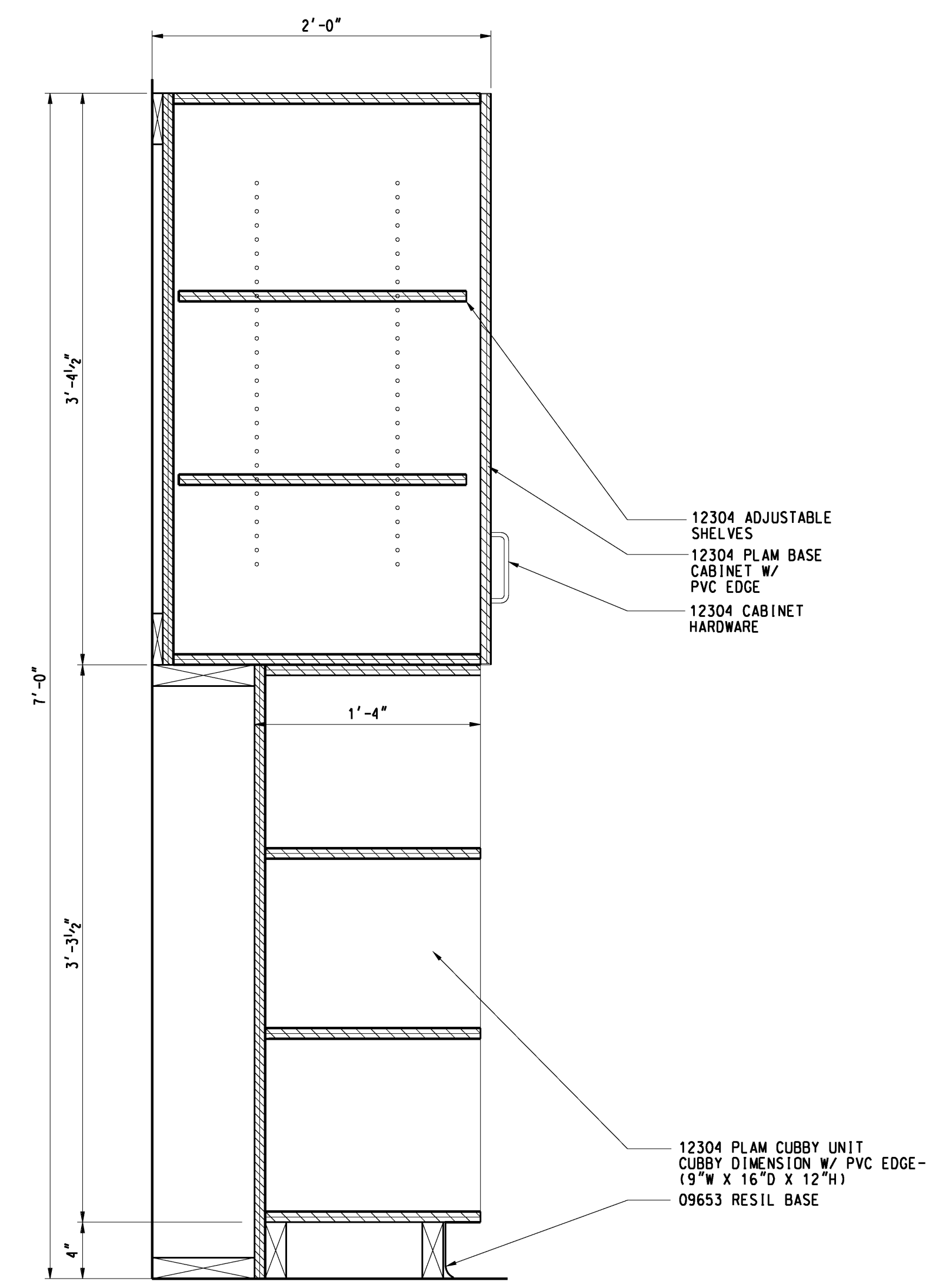
© 2013 Integrated Design Solutions, LLC

IDS Drawing Title

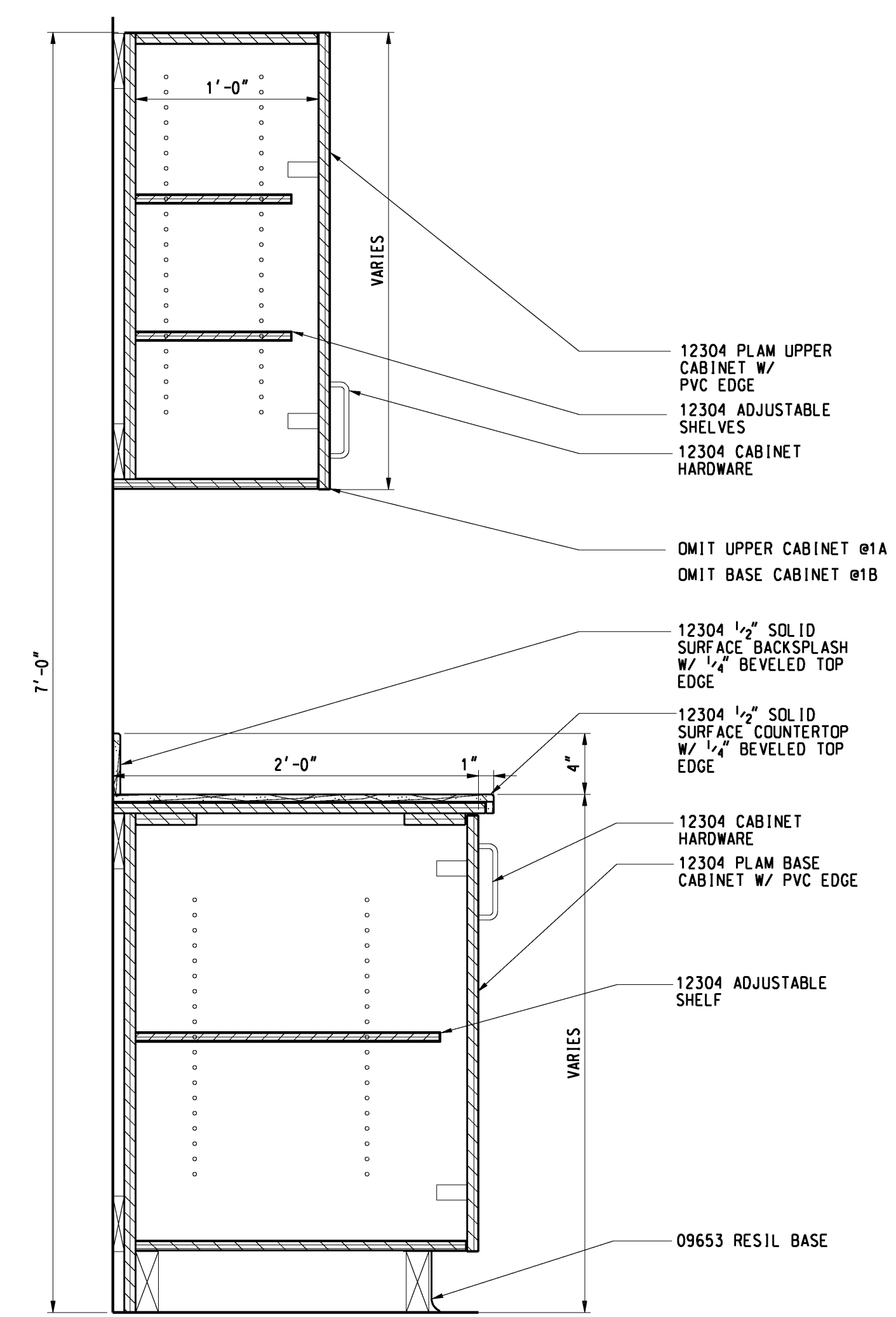
Linden Elementary Classroom Storage Details

IDS Project Number Drawing Number

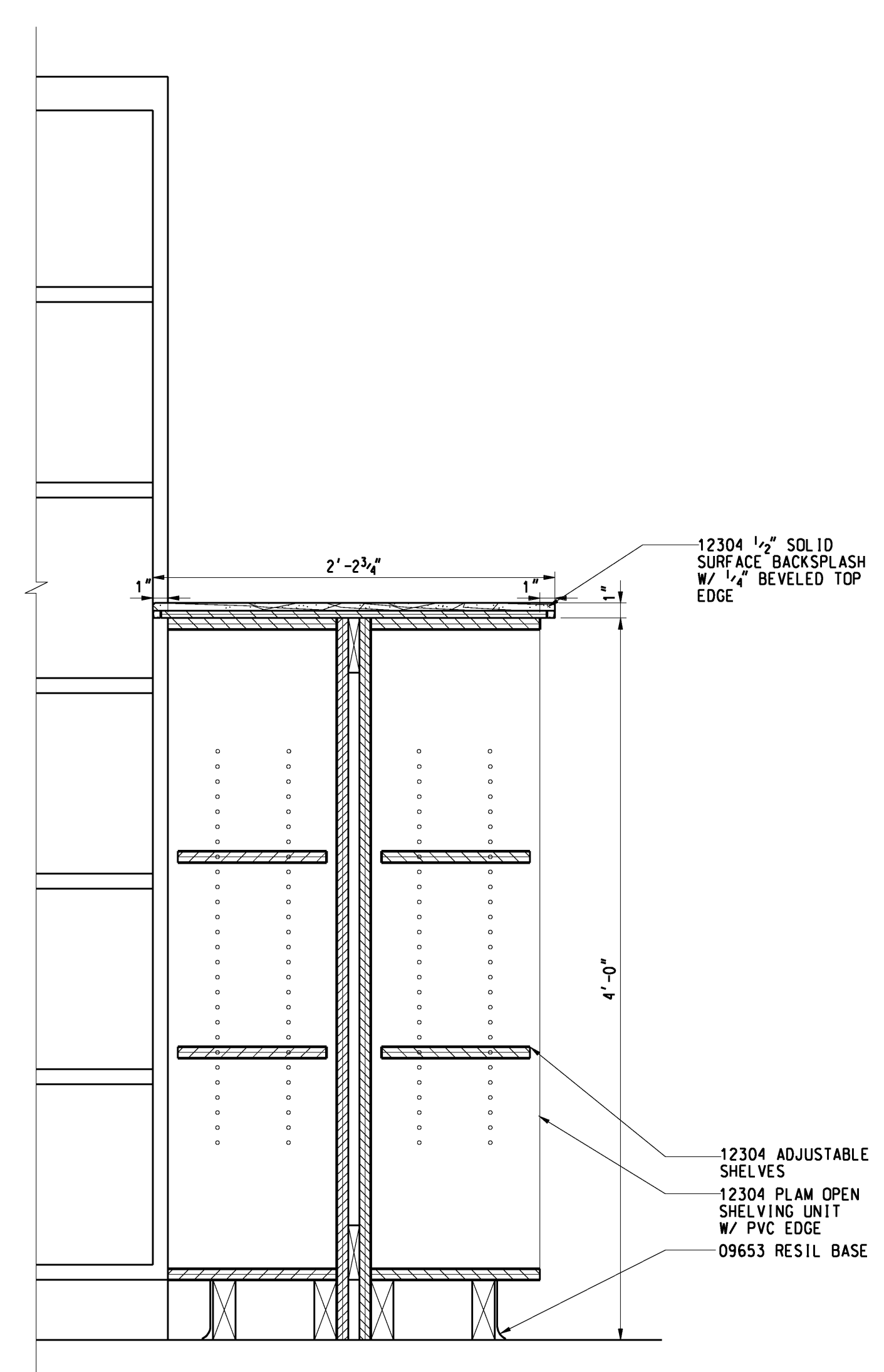
13101-1000 **A3.3LE**



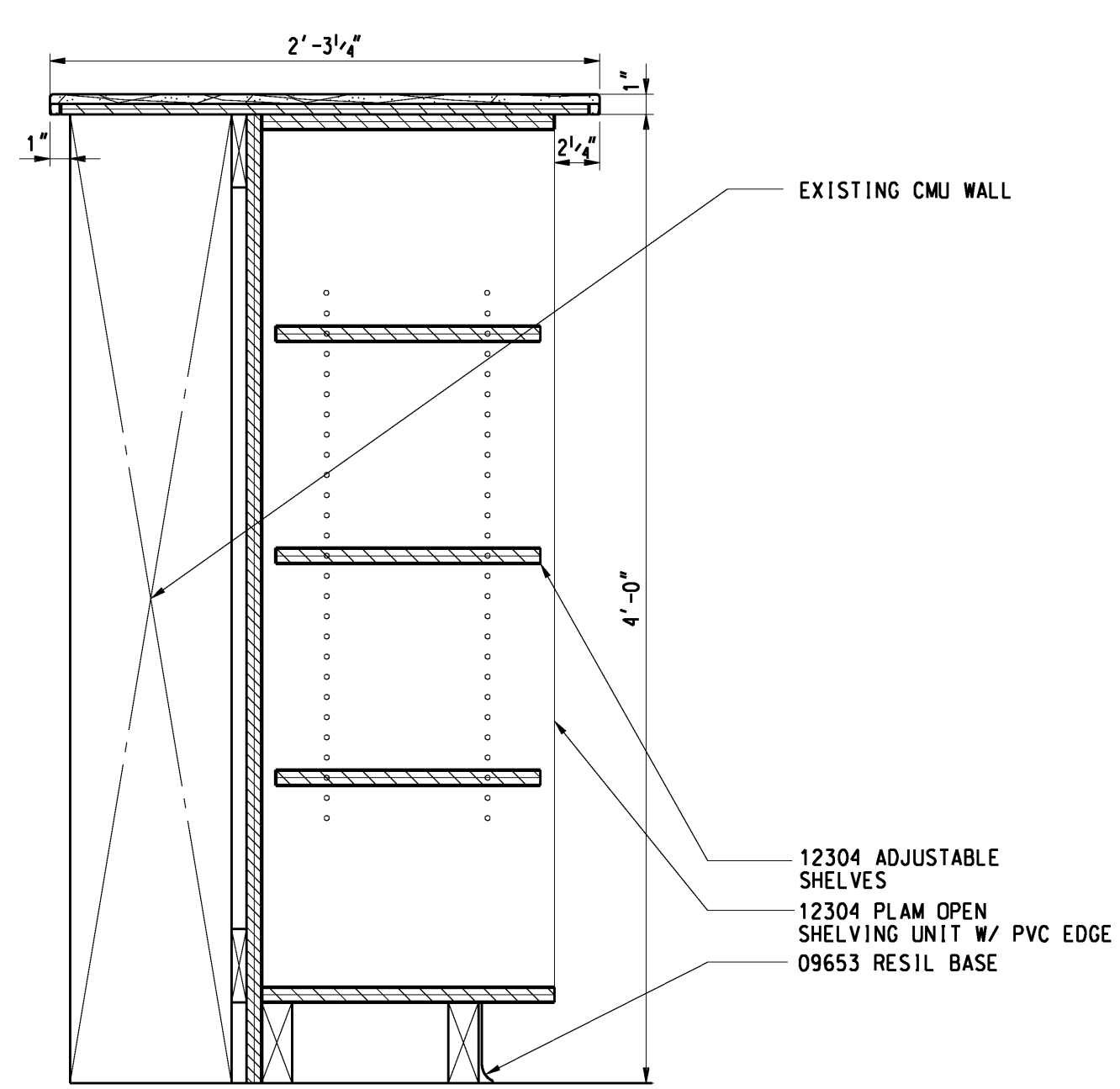
2 CASEWORK DETAIL
A3.1LE 1-1/2" = 1'-0"



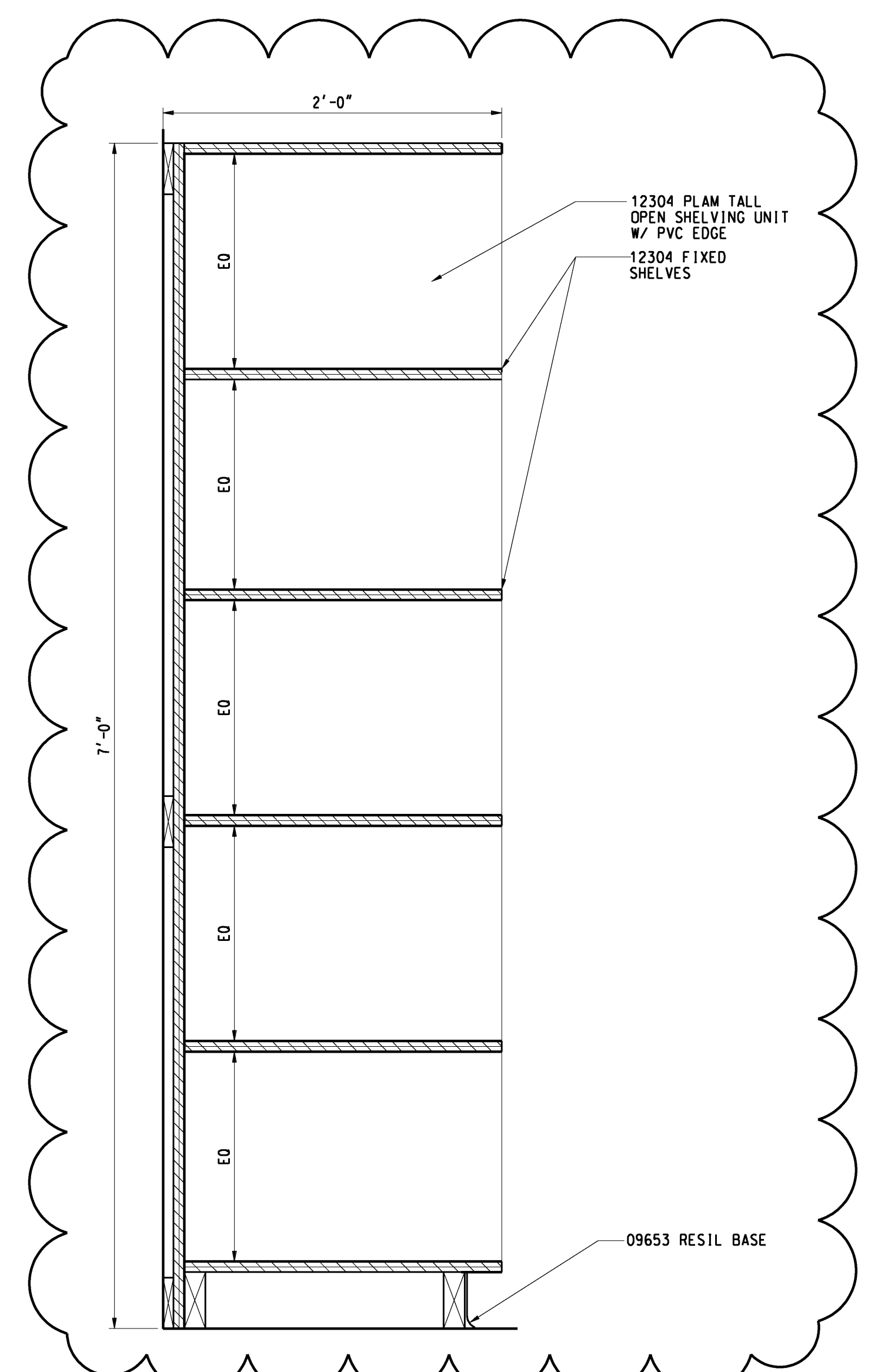
1A 1 CASEWORK DETAIL
A3.1LE A1.3HC 1-1/2" = 1'-0"
A3.1LE



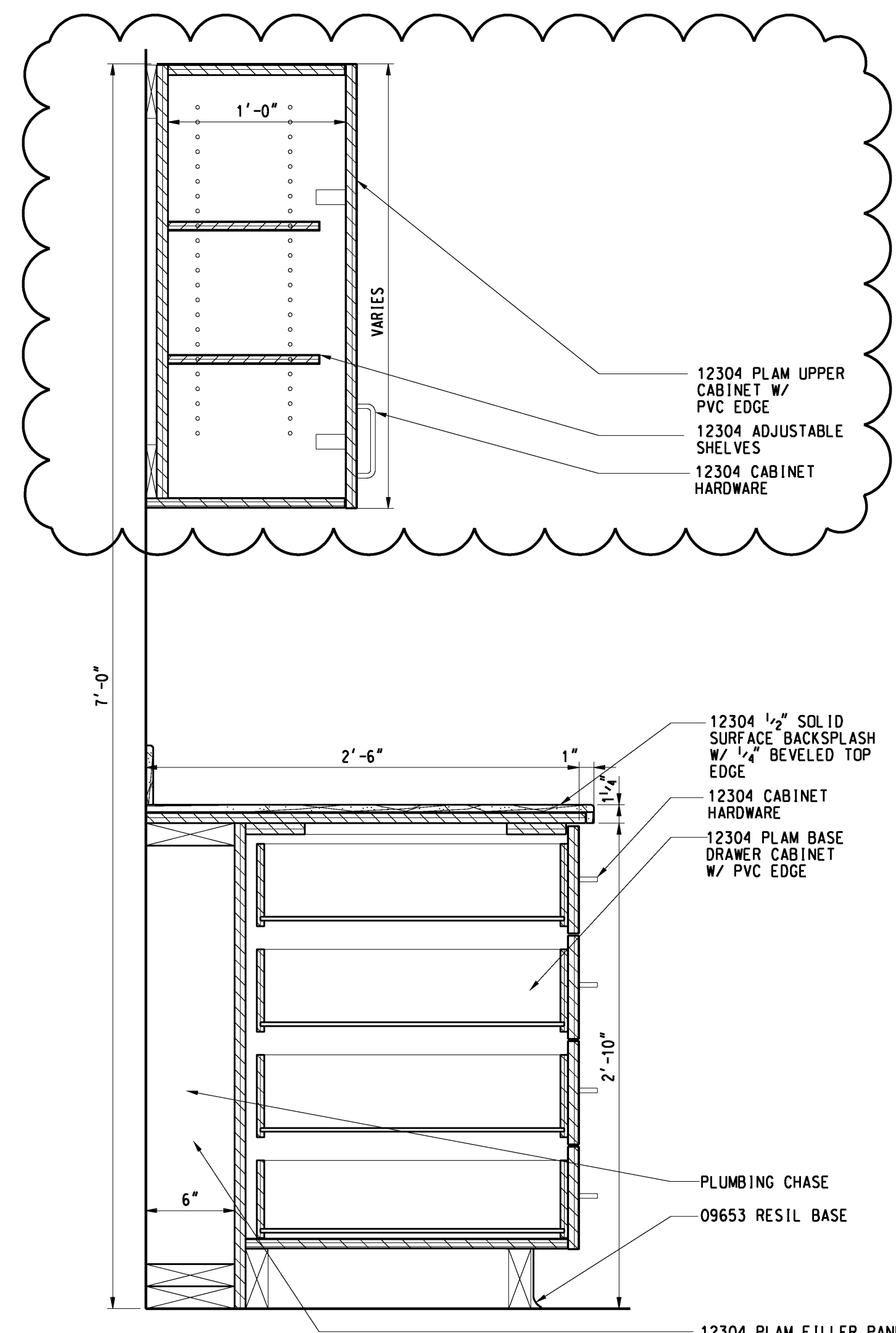
4 CASEWORK DETAIL
A3.1LE 1-1/2" = 1'-0"



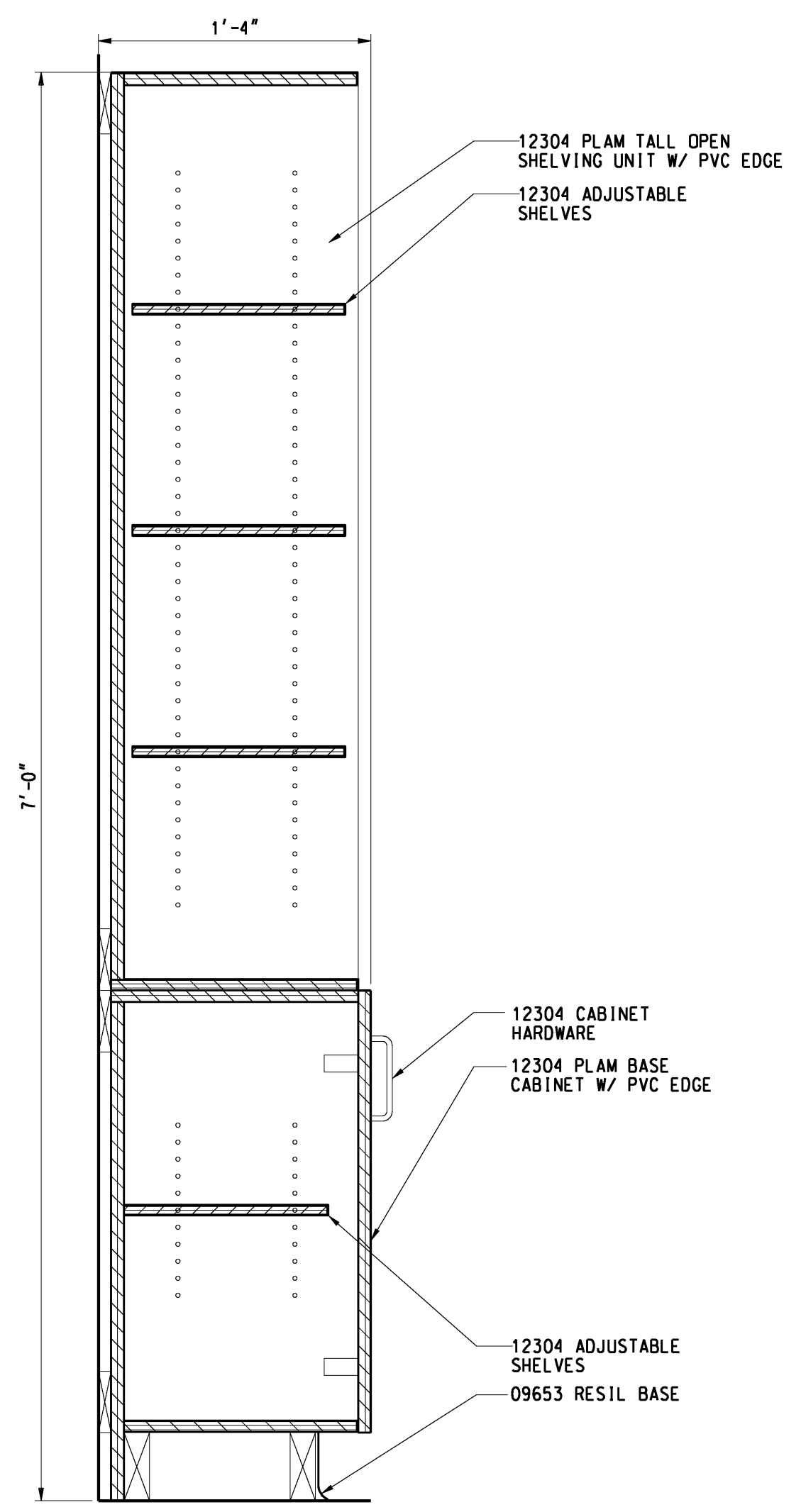
3 CASEWORK DETAIL
A3.1LE 1-1/2" = 1'-0"



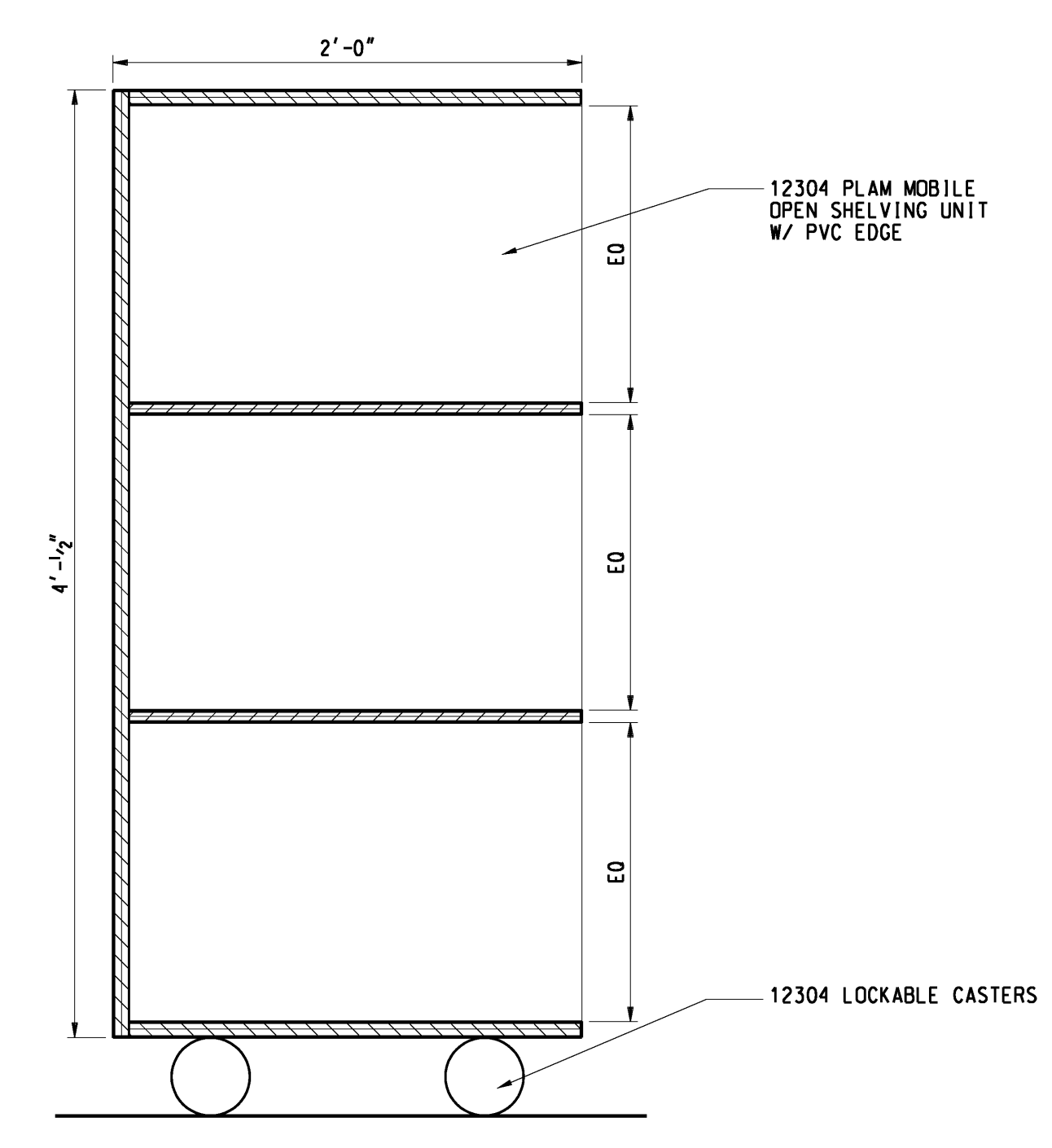
6 CASEWORK DETAIL
A3.2LE 1-1/2" = 1'-0"



5 CASEWORK DETAIL
A3.2LE 1-1/2" = 1'-0"



8 CASEWORK DETAIL
A3.2LE 1-1/2" = 1'-0"



7 MOBILE CUBBY UNIT DETAIL
A3.2LE 1-1/2" = 1'-0"