

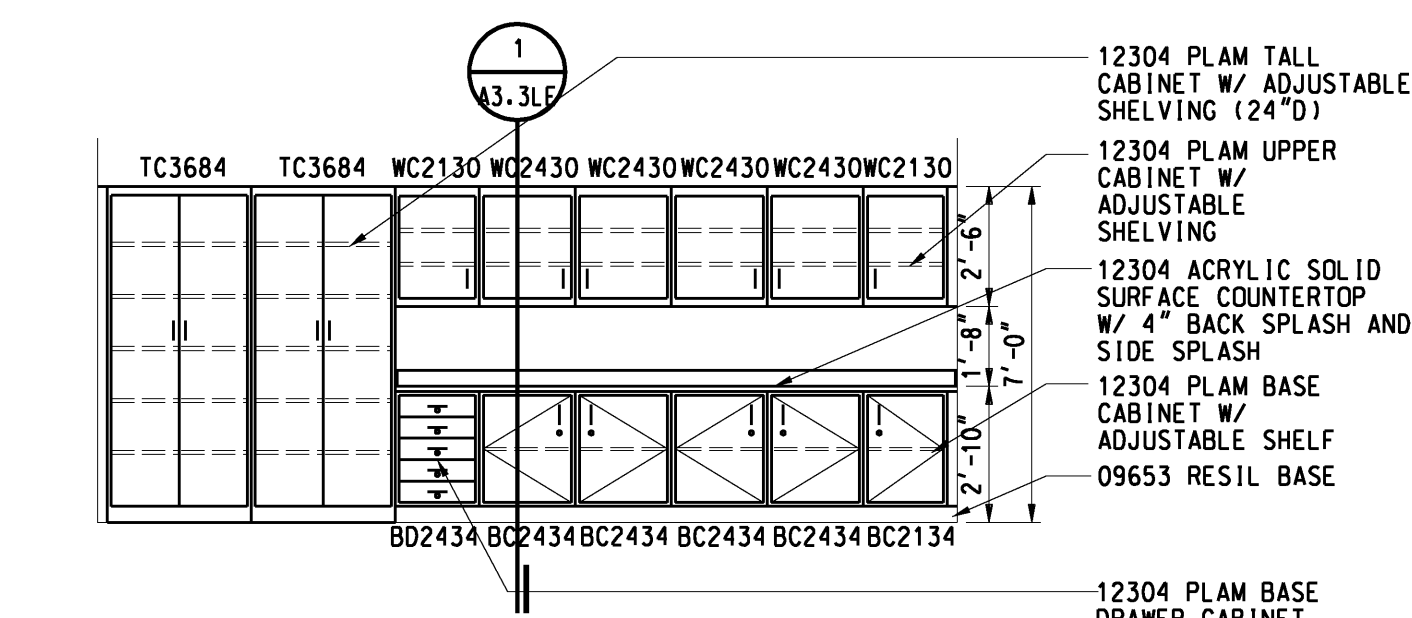
Integrated Design Solutions, LLC
Architecture, Engineering, Interiors & Technology

1441 West Long Lake, Suite 200, Troy, MI 48098
tel 248.823.2100 - fax 248.823.2200
www.ids-troy.com

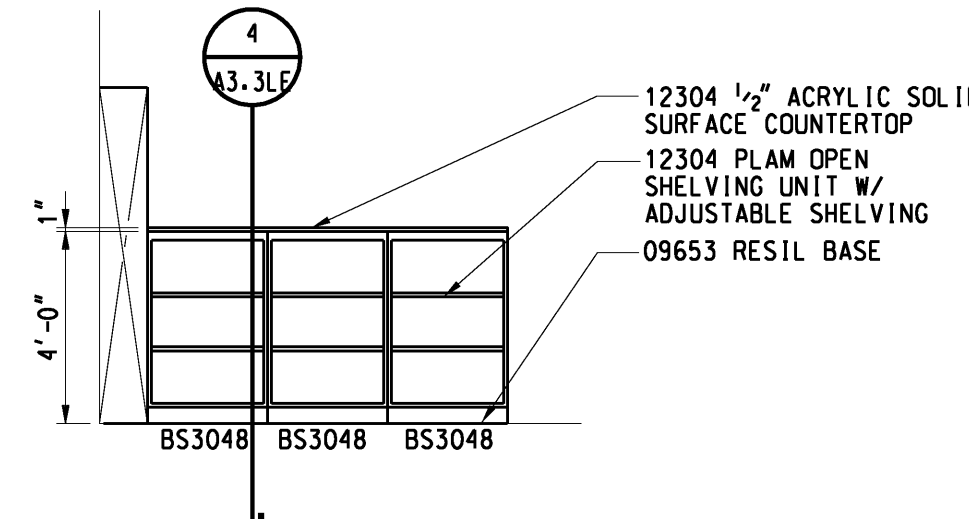
GENERAL NOTES

INTERIOR ELEVATIONS

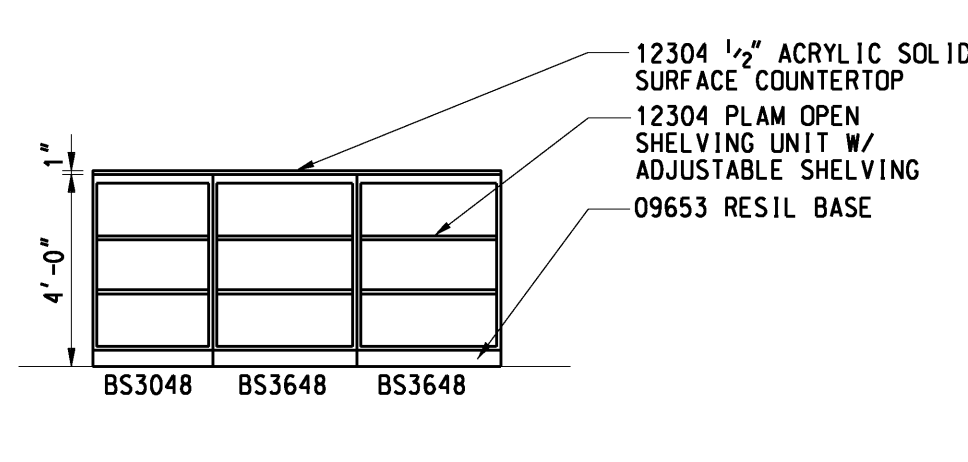
- A ALL WALL MOUNTED CABINETS ARE TO BE MOUNTED 7'-0" AFF TO TOP UCN
- B COORDINATE THE INTERFACING OF ALL TRADES WITH RESPECT TO DELIVERY AND INSTALLATION OF ALL FIXTURES AND EQUIPMENT
- C CONTRACTOR TO FIELD VERIFY EXISTING CONDITIONS BEFORE INSTALLATION. CONSULT WITH ARCHITECT WHEN ACTUAL FIELD CONDITIONS VARY FROM THOSE SHOWN ON CONTRACT DOCUMENTS
- D COORDINATE LOCATIONS OF ALL REQUIRED UTILITIES WITH THE TRADE PROVIDING SAME. REFER TO MECHANICAL AND ELECTRICAL DRAWINGS FOR ADDITIONAL INFORMATION
- E ALL TALL CASES ARE TO BE FASTENED TO THE ADJOINING WALL THROUGH THE BACK OR SIDE OF THE UNIT
- F ALL COUNTERTOPS INSTALLED AGAINST A WALL ARE TO HAVE A 4" BACK SPLASH AND SIDE SPLASHES UCN
- G FINISH EXPOSED ENDS AND/OR BACKS OF ALL FREESTANDING CASEWORK
- H PROVIDE FILLERS AS NEEDED
- I PROVIDE LOCKS ON ALL CABINETS AND DRAWERS UNLESS OTHERWISE NOTED. ALL LOCKS SHALL BE KEYPED ALIKE BY ROOM. PROVIDE MASTER KEYING
- J REFER TO LEGEND ON INTERIOR ELEVATIONS AS-1LE FOR DESCRIPTION OF ACCESSORIES, EQUIPMENT AND FURNISHINGS. REFER TO FLOOR PLANS FOR ADDITIONAL INFORMATION
- K CASEWORK SHALL BE PIONITE-WX031 PEARWOOD. COUNTERTOPS SHALL BE CORIAN-GRAY FIELDSTONE. RESILIENT BASE SHALL BE JOHNSONITE-40 BLACK IF APPLICABLE. PAINT SHALL MATCH EXISTING.



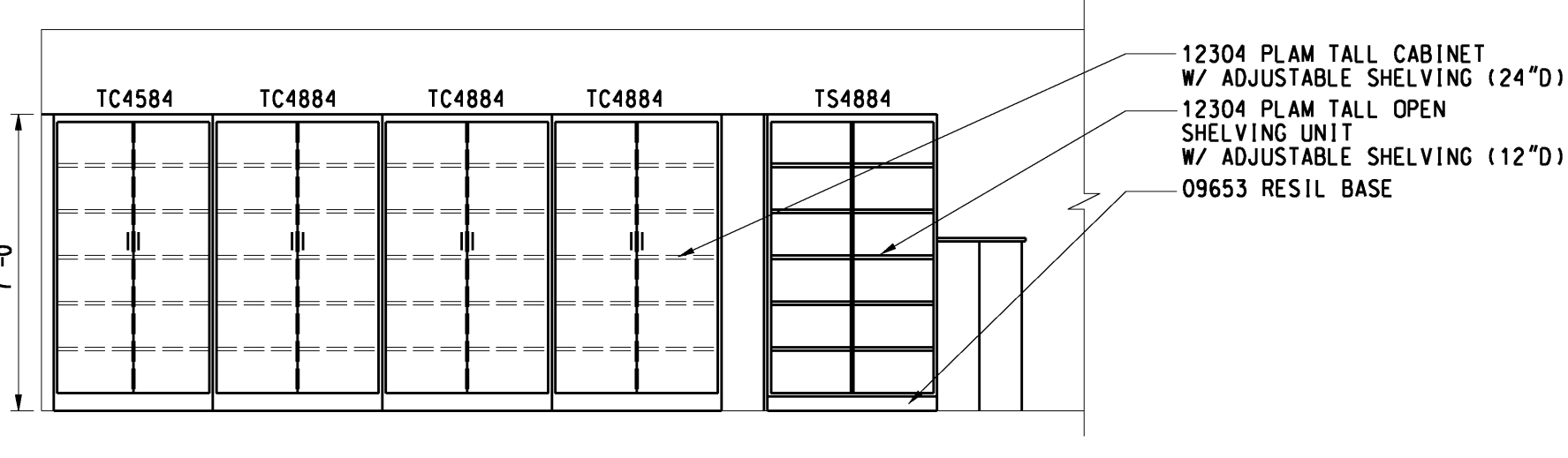
19 CLASSROOMS 9,10,12,13
AM1.1LE 1/4" = 1'-0"



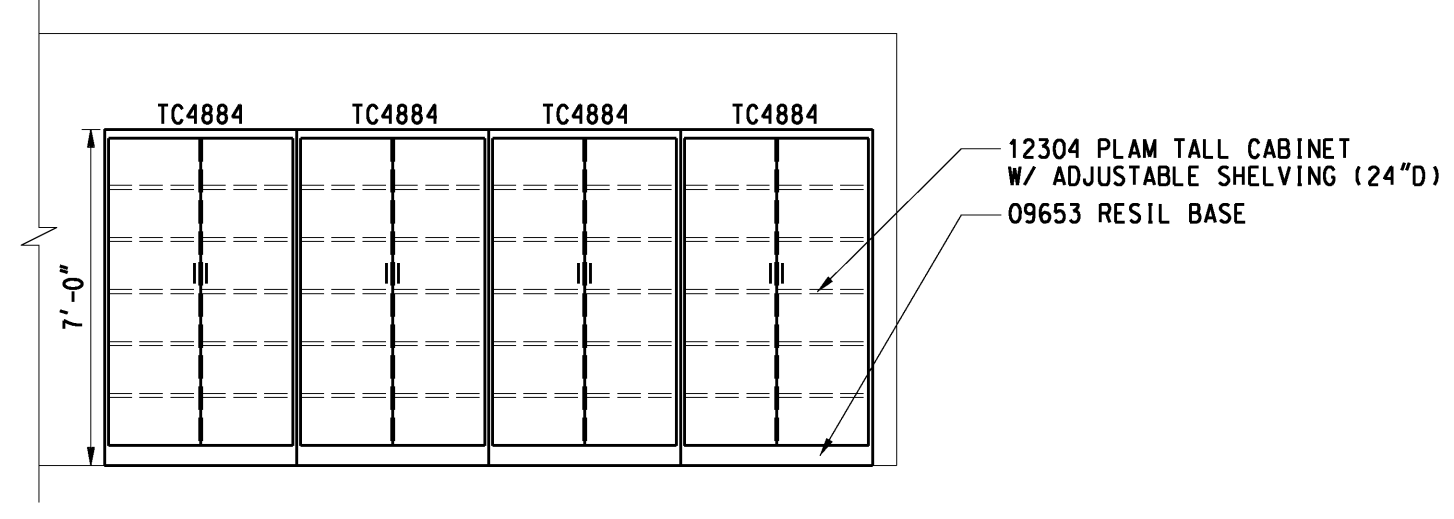
18 CORRIDOR 304
AM1.1LE 1/4" = 1'-0"



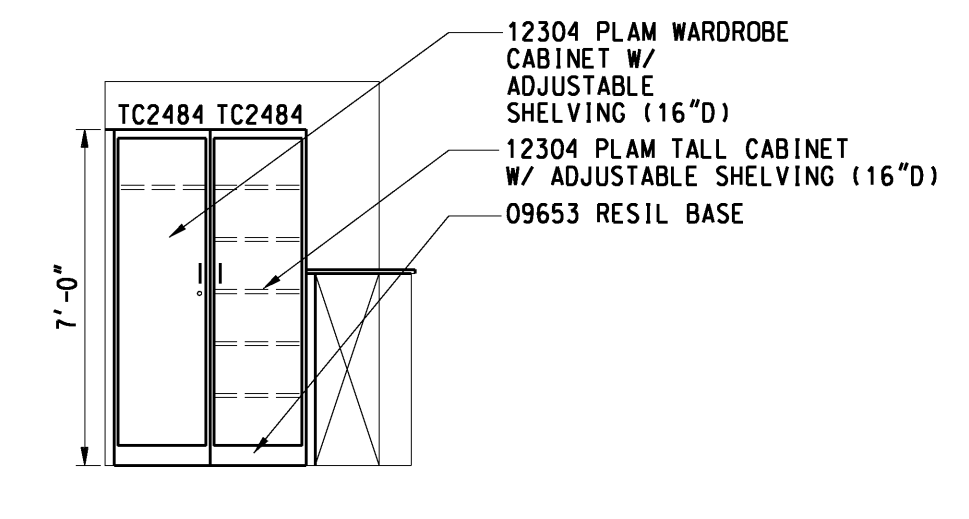
17 CORRIDOR 304
AM1.1LE 1/4" = 1'-0"



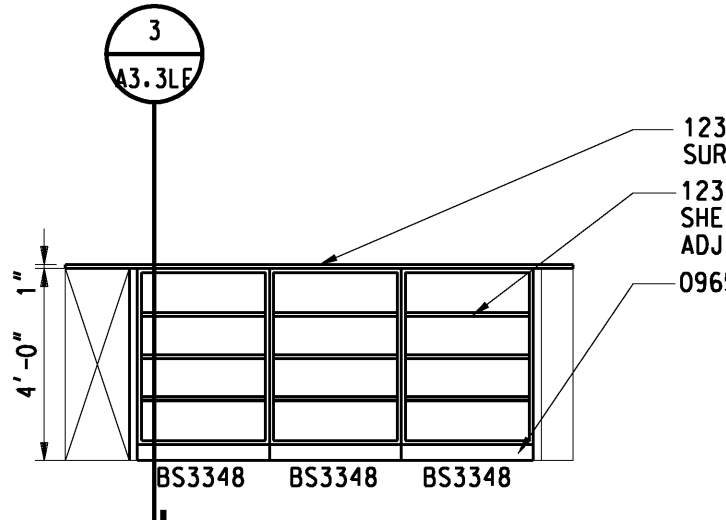
16 CORRIDOR 304
AM1.1LE 1/4" = 1'-0"



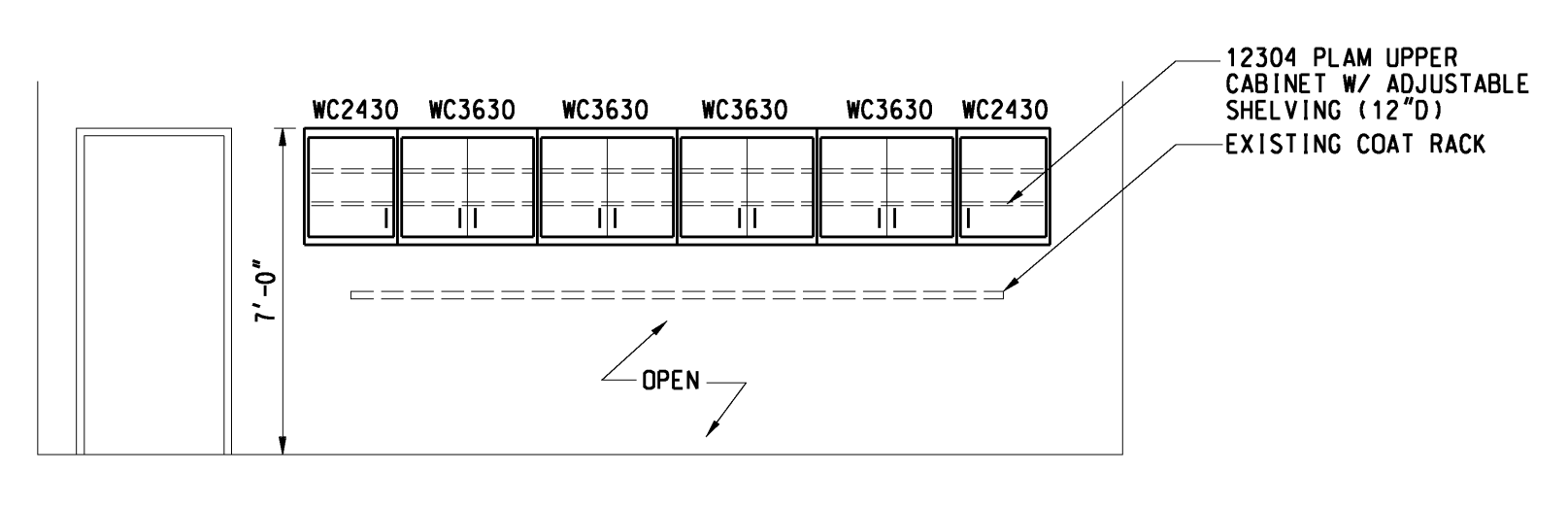
15 CORRIDOR 304
AM1.1LE 1/4" = 1'-0"



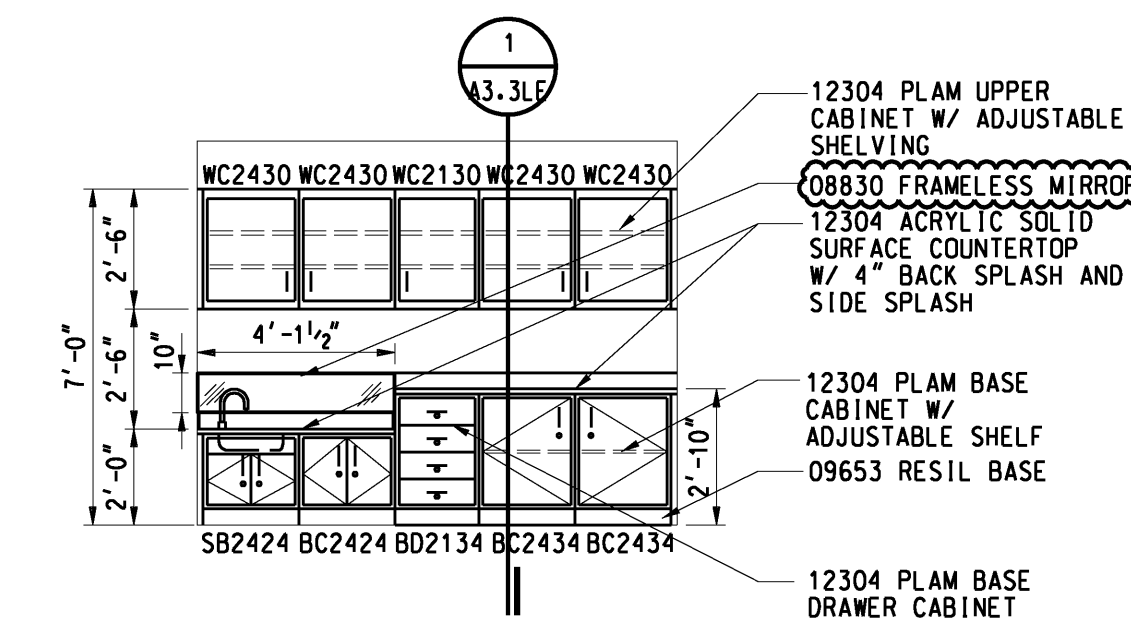
14 CLASSROOM 15,19
AM1.1LE 1/4" = 1'-0"



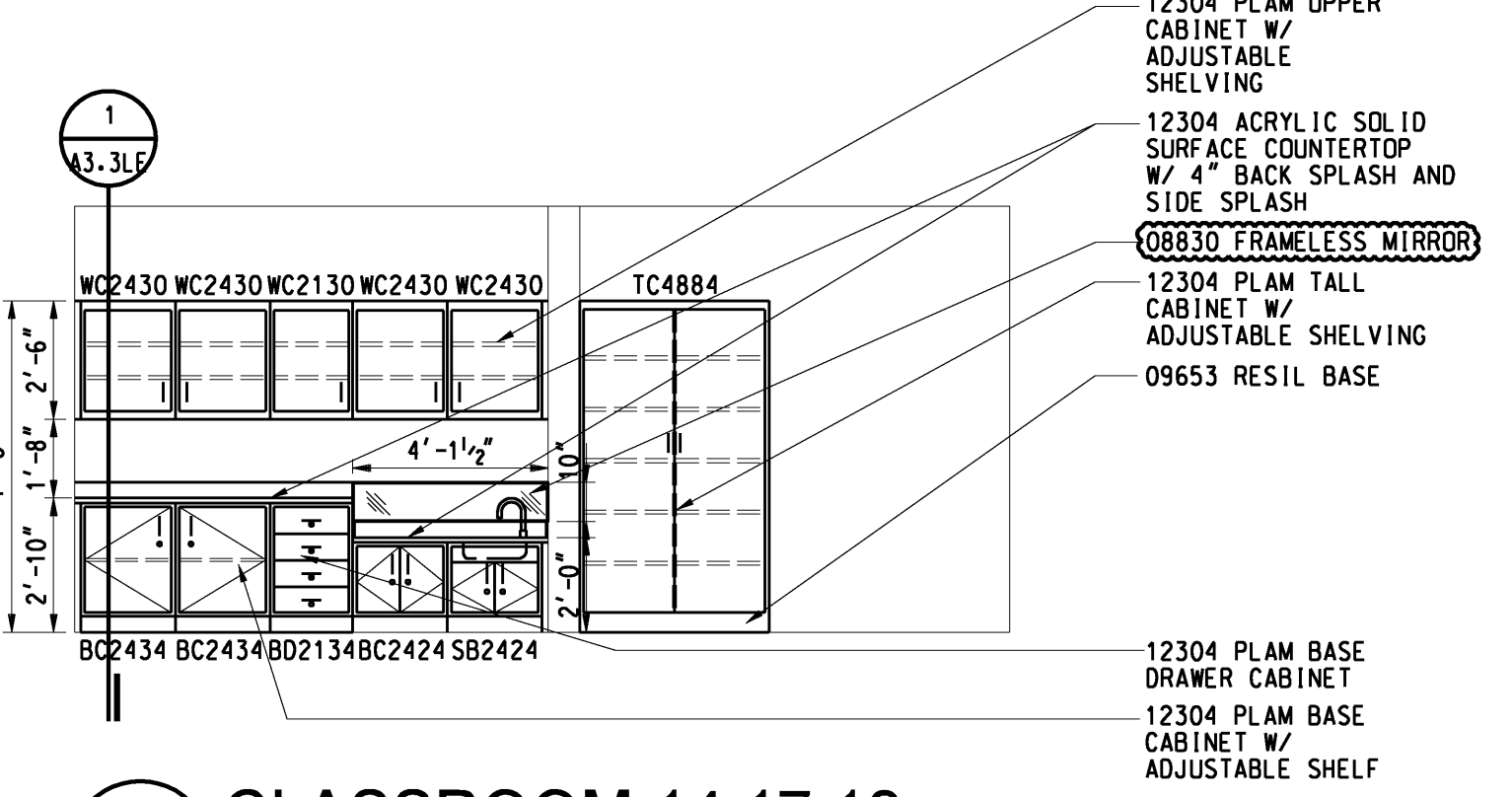
13 CLASSROOM 15,19
AM1.1LE 1/4" = 1'-0"



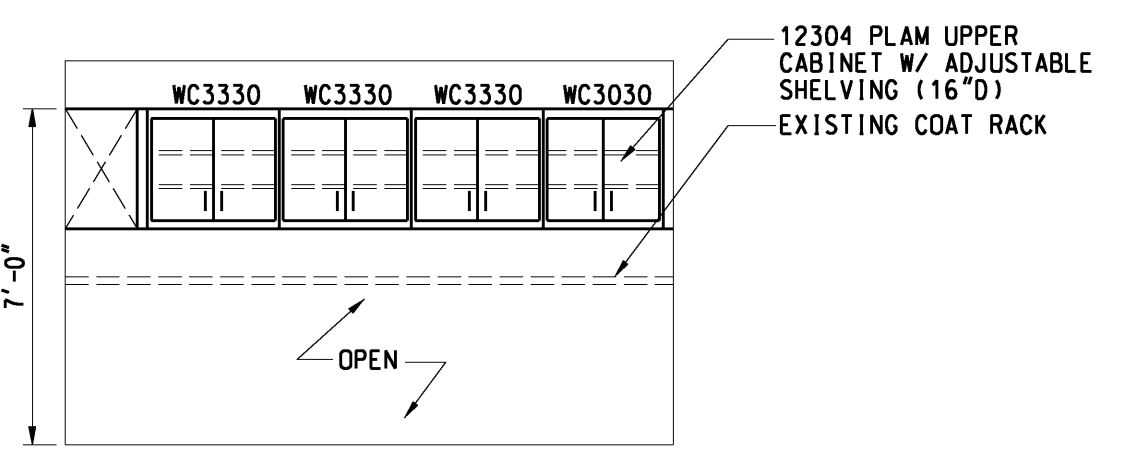
12 CORRIDOR A,B,C,D
AM1.1LE 1/4" = 1'-0"



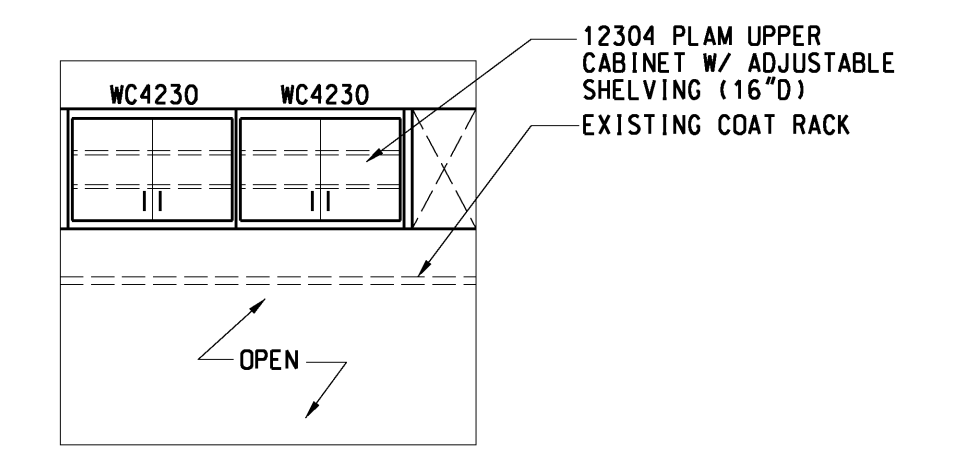
11 CLASSROOM 15,19,22
AM1.1LE 1/4" = 1'-0"



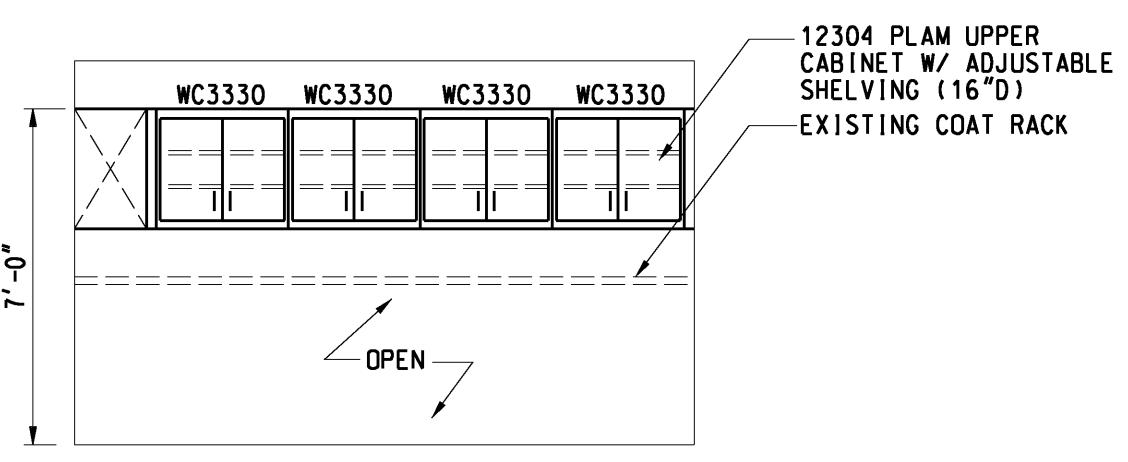
10 CLASSROOM 14,17,18
AM1.1LE 1/4" = 1'-0"



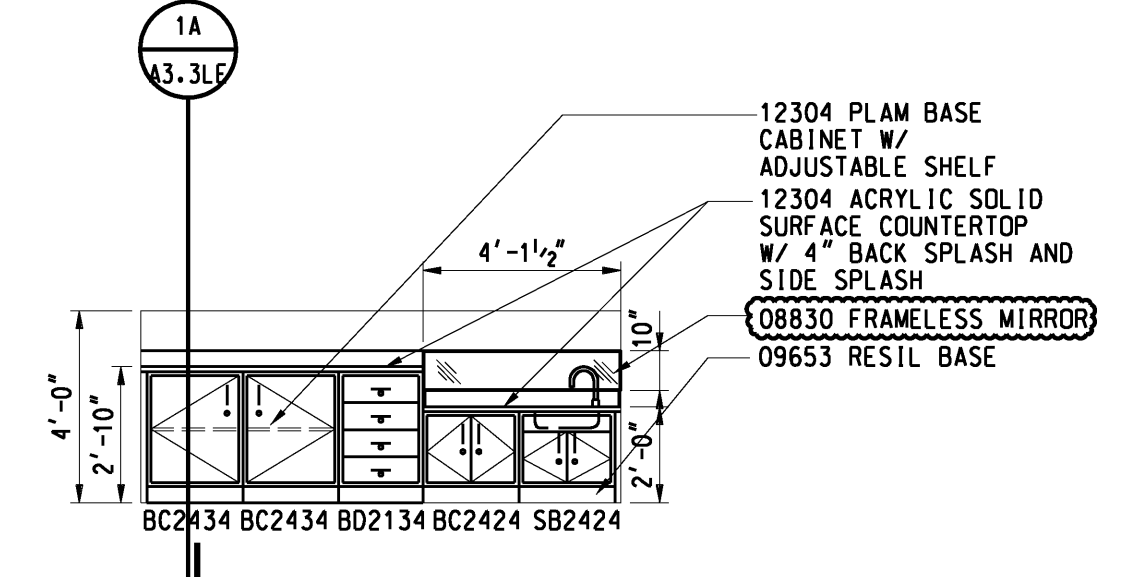
9 CLASSROOM 16,20
AM1.1LE 1/4" = 1'-0"



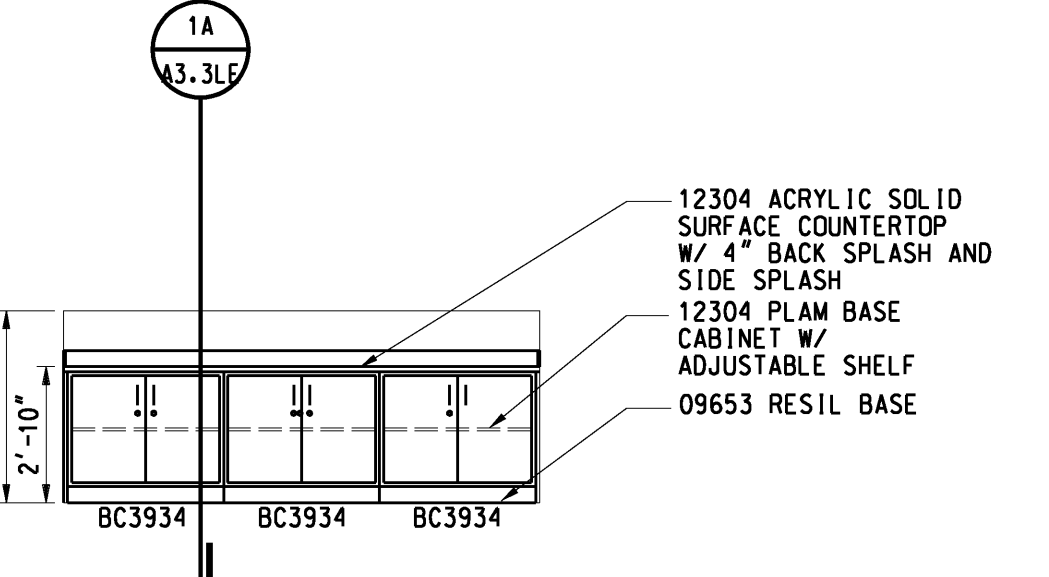
8 CLASSROOM 15,19
AM1.1LE 1/4" = 1'-0"



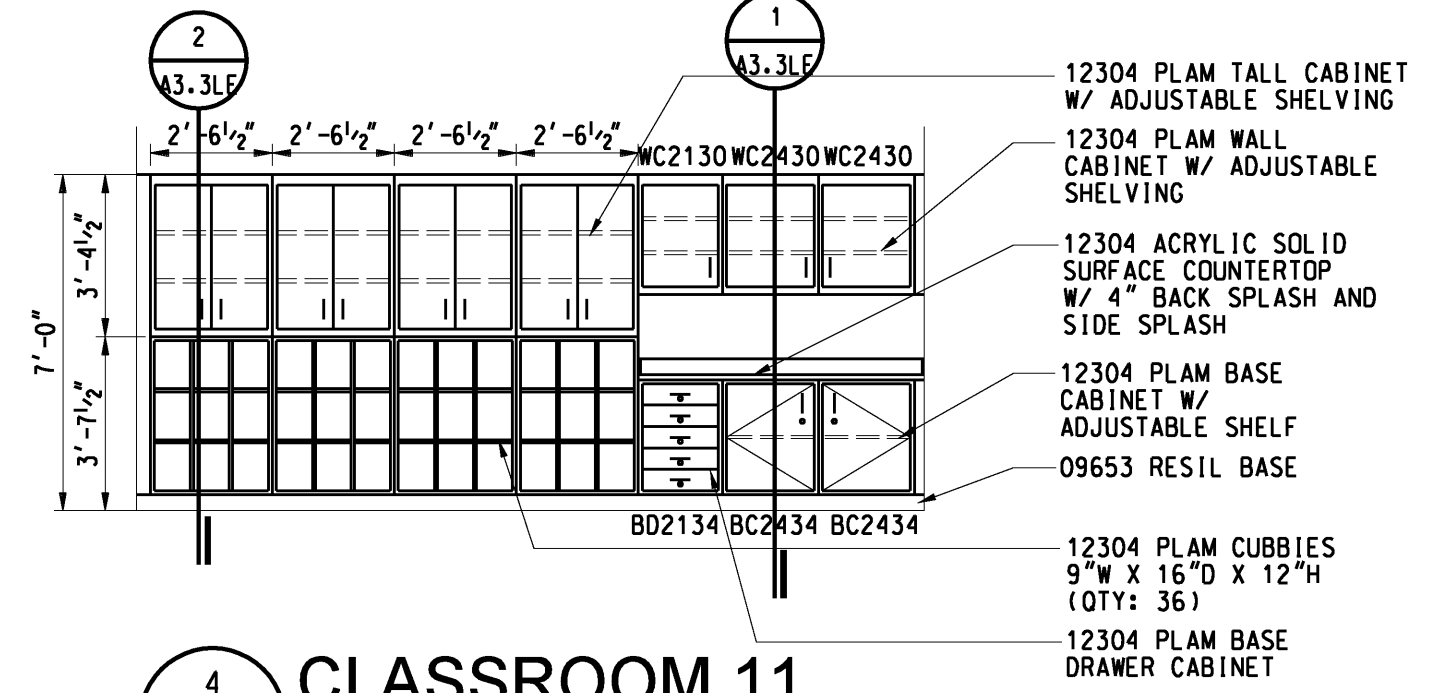
7 CLASSROOM 15,16,19,20
AM1.1LE 1/4" = 1'-0"



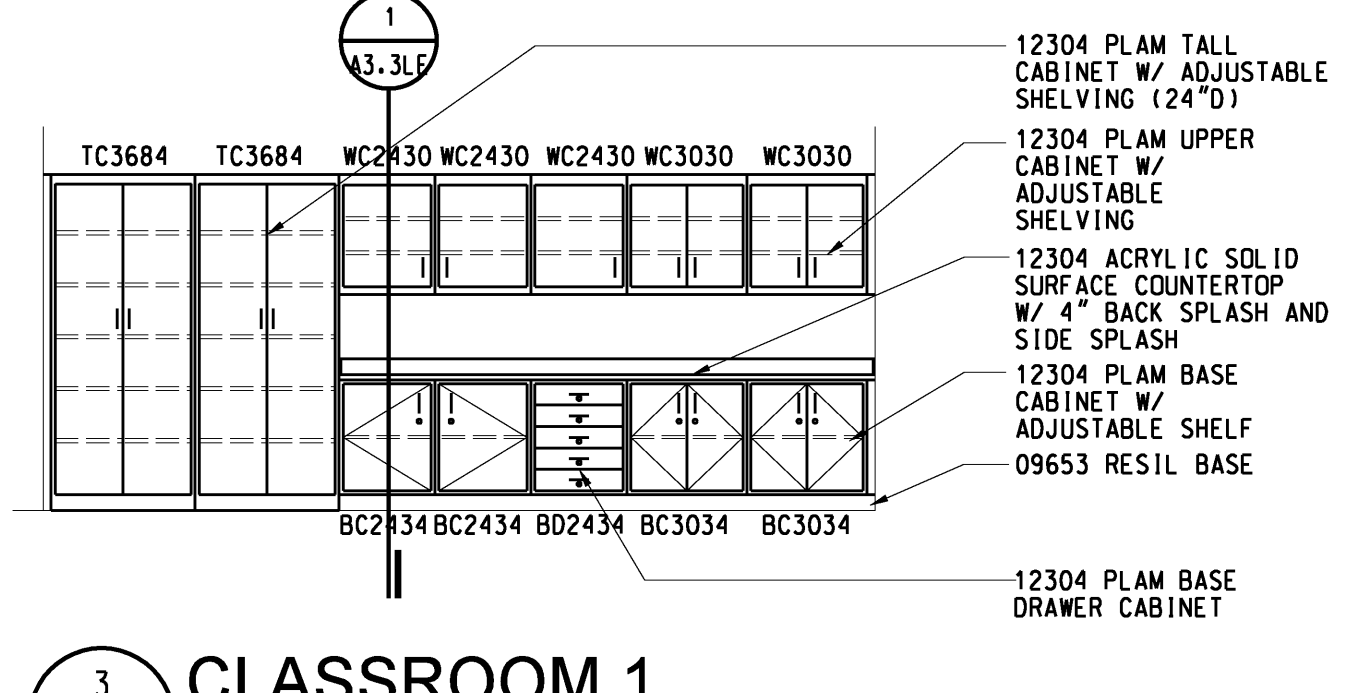
6 CLASSROOM 16,20
AM1.1LE 1/4" = 1'-0"



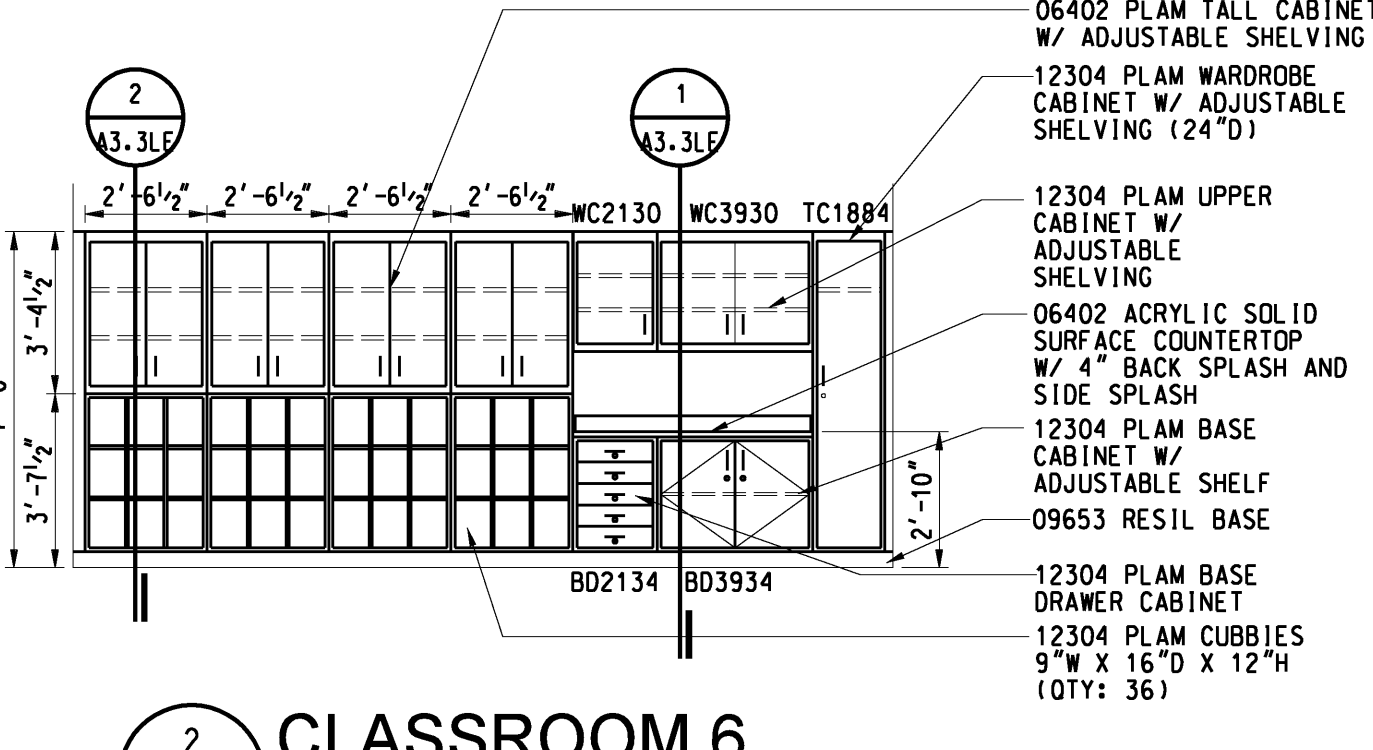
5 CLASSROOM 16,20
AM1.1LE 1/4" = 1'-0"



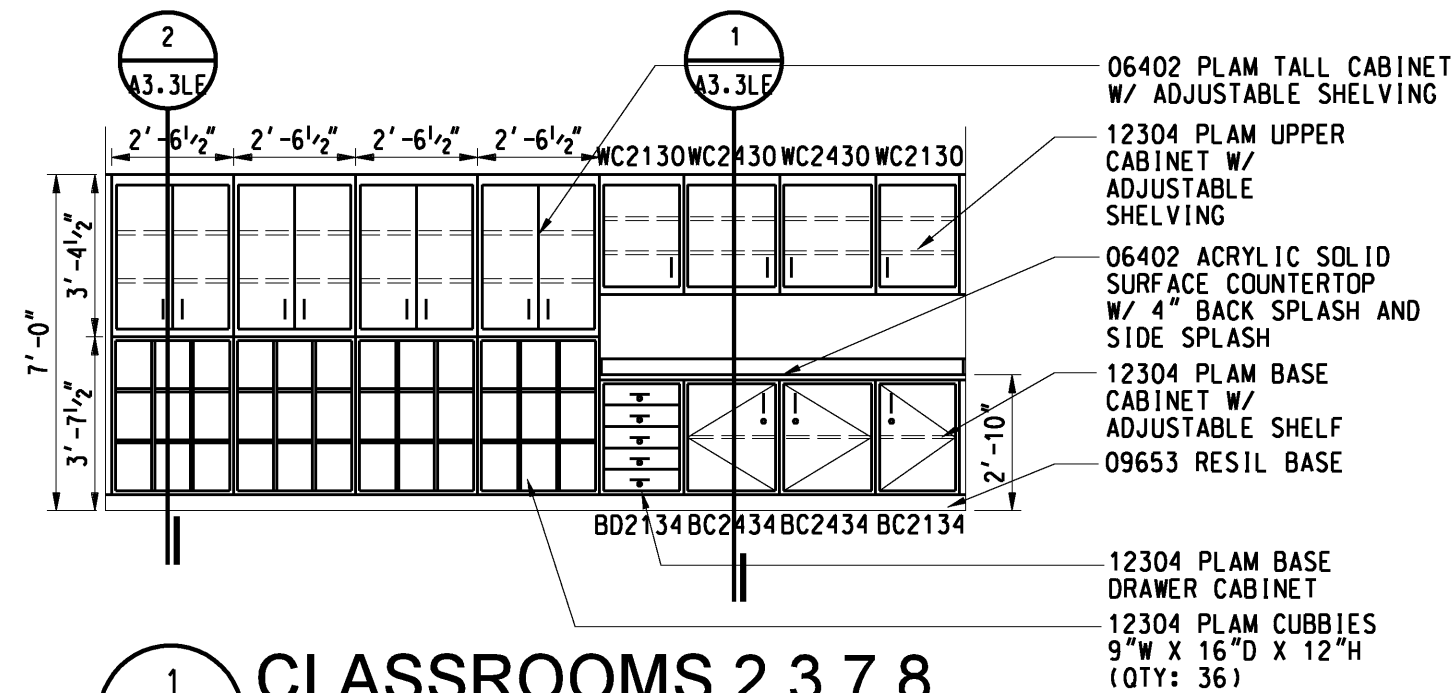
4 CLASSROOM 11
AM1.1LE 1/4" = 1'-0"



3 CLASSROOM 1
AM1.1LE 1/4" = 1'-0"



2 CLASSROOM 6
AM1.1LE 1/4" = 1'-0"



1 CLASSROOMS 2,3,7,8
AM1.1LE 1/4" = 1'-0"

Project Title



LINDEN COMMUNITY SCHOOLS

2013 Sinking Fund Projects

Linden, Michigan

Key Plan

Project Administrator: Seal:
K. Delzer
Project Designer:
B. Ingham
Project Architect / Engineer:
B. Ingham
Drawn By:
B. Ingham
C.M. Review:
K. Delzer
Approved:
K. Delzer
Drawing Scale:
As Noted

Issue Date:	Issued for:
03-11-13	Quality Management Review
03-15-13	Bids
03-28-13	Addendum No 1

© 2013 Integrated Design Solutions, LLC

IDS Drawing Title

Linden Elementary Classroom Storage Elevations

IDS Project Number Drawing Number

13101-1000 A3.1LE