



Wilkie & Zanley

ENGINEERS • ARCHITECTS • CONSULTANTS • PROJECT MANAGERS

"A Siodock Company"

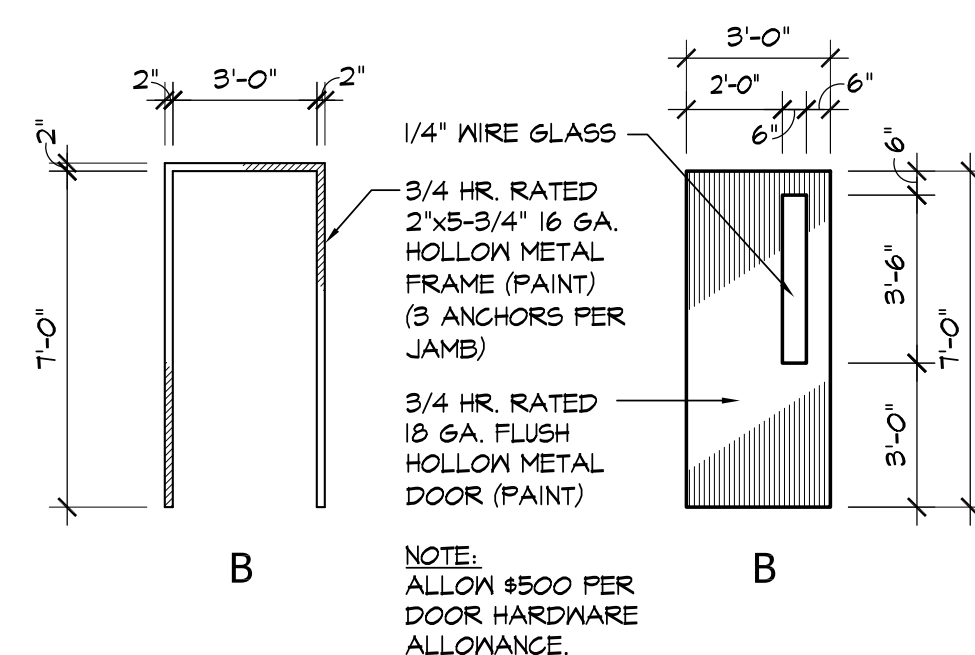
Wyandotte Office
4242 Biddle Avenue
Wyandotte, Michigan 48192
Ph: (734)285-1924 • Fax: (734)285-2833

Main Headquarters
43155 Main Street, Suite 2310
Novi, Michigan 48375
Ph: (248)349-4500 • Fax: (248)349-1429

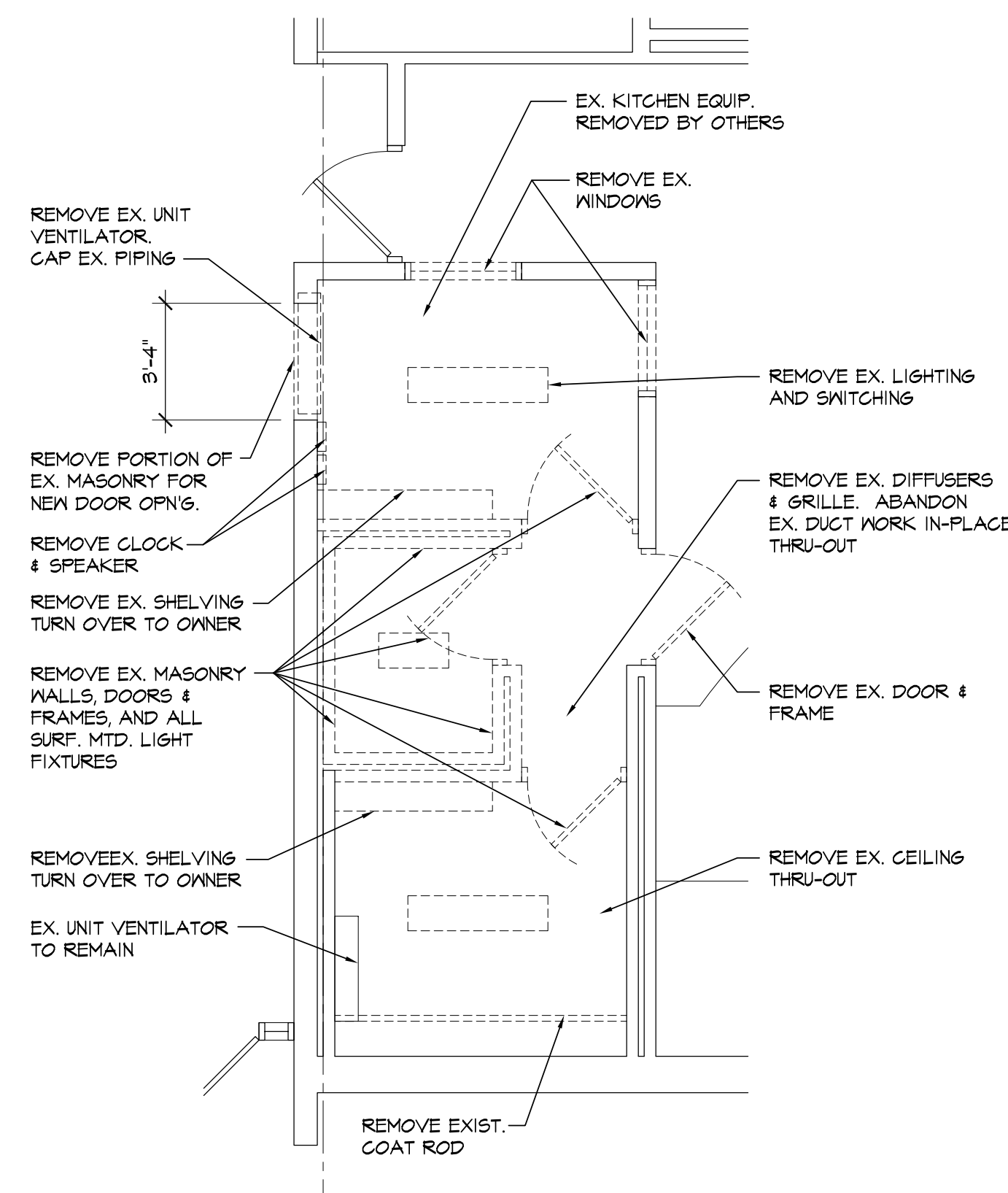
West Michigan Office
379 W. Western Avenue, Suite 200
Muskegon, Michigan 49440
Ph: (231)722-4900 • Fax: (231)722-4955

www.siodockgroup.com

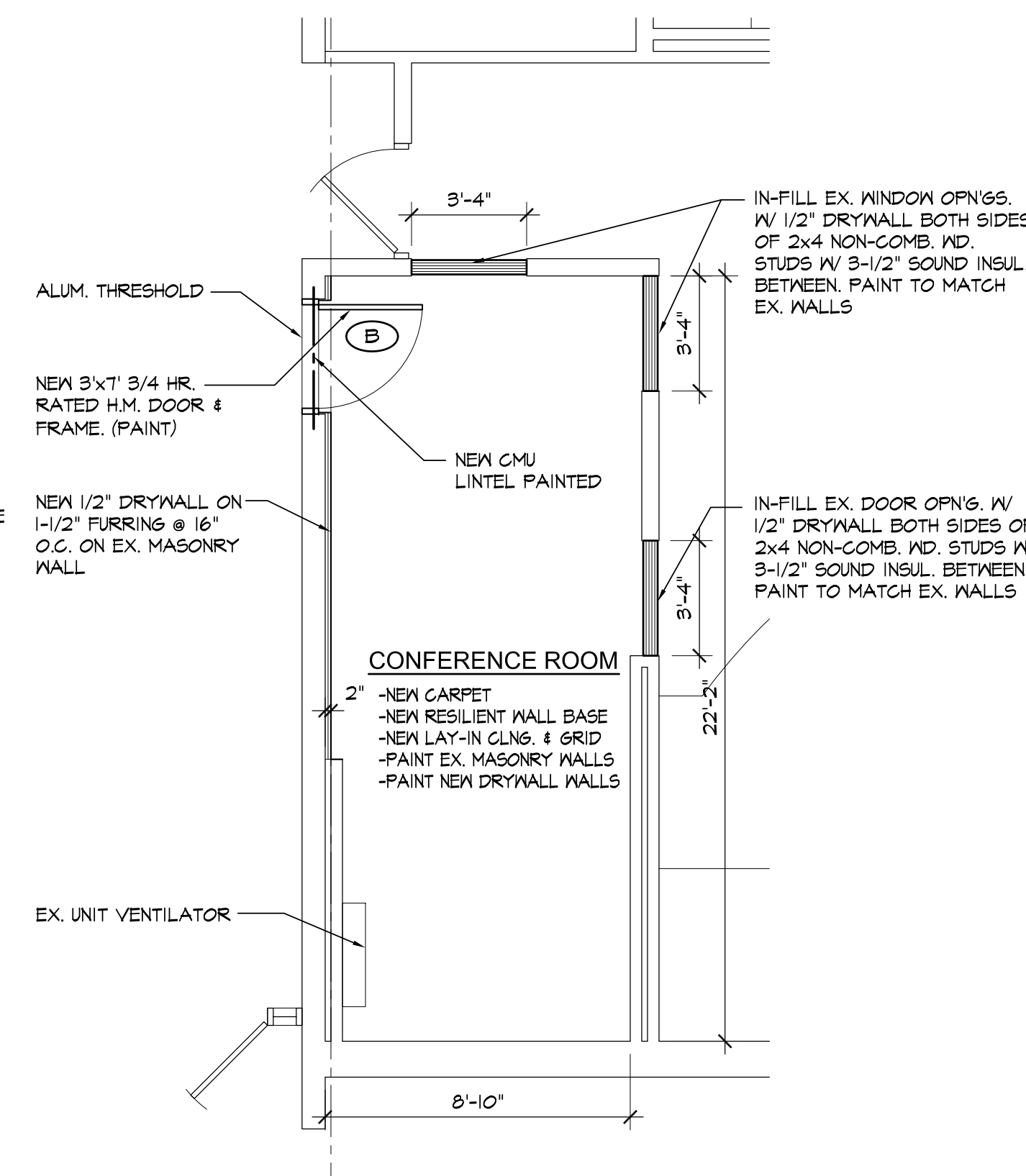
Key Plan: NO SCALE



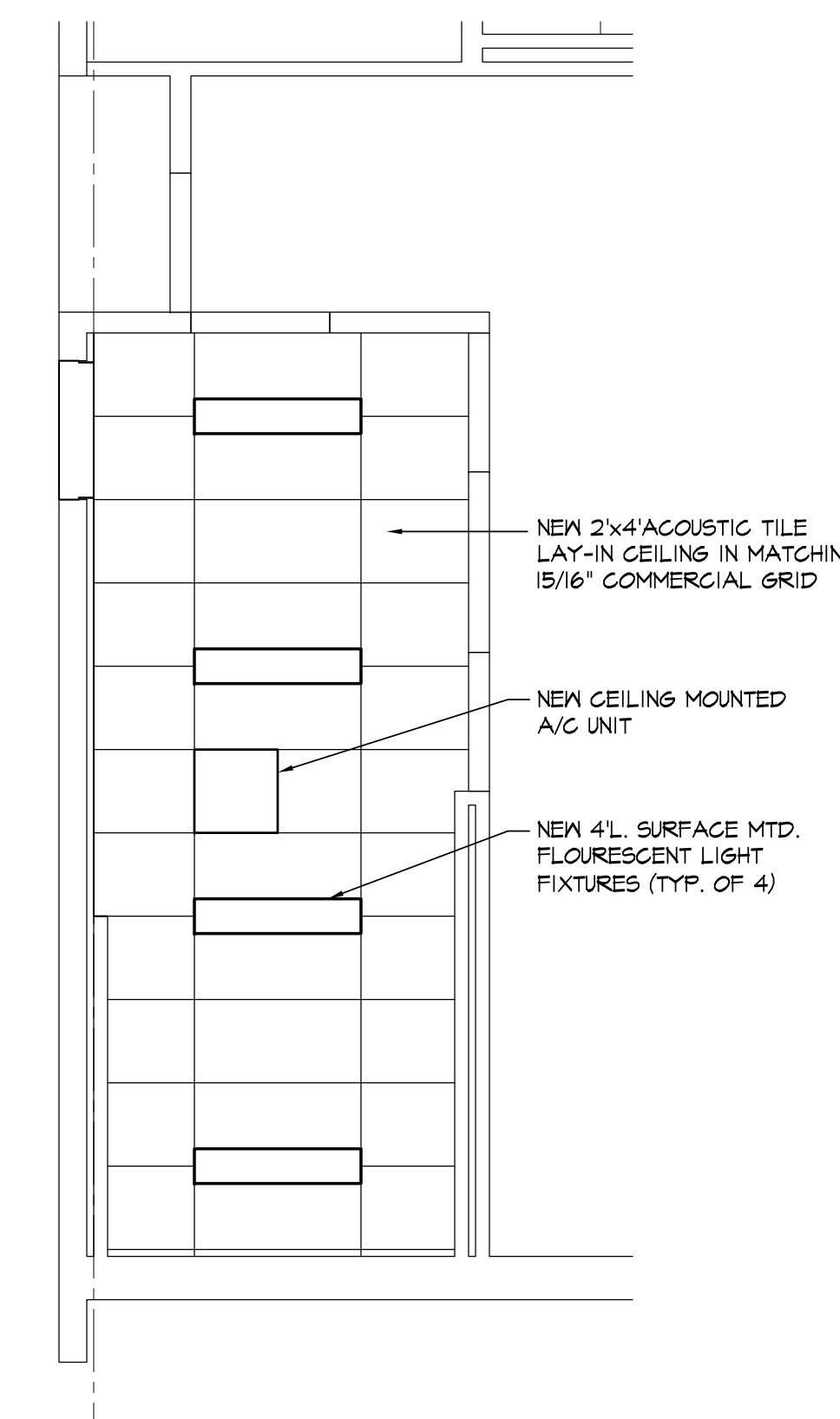
DOOR & FRAME TYPE B
1/4"=1'-0"



EXISTING FLOOR PLAN- DEMO.

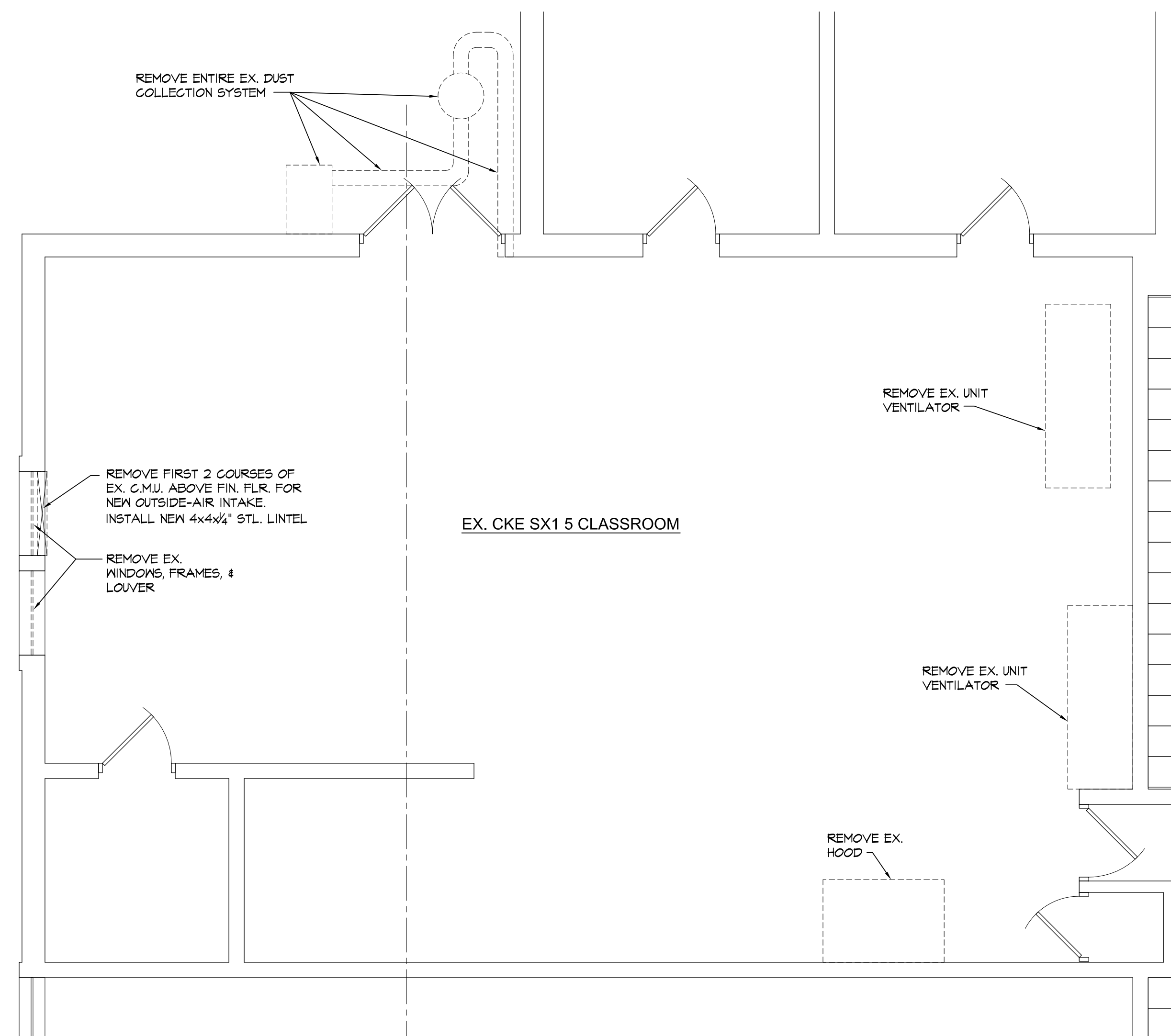


PROPOSED FLOOR PLAN

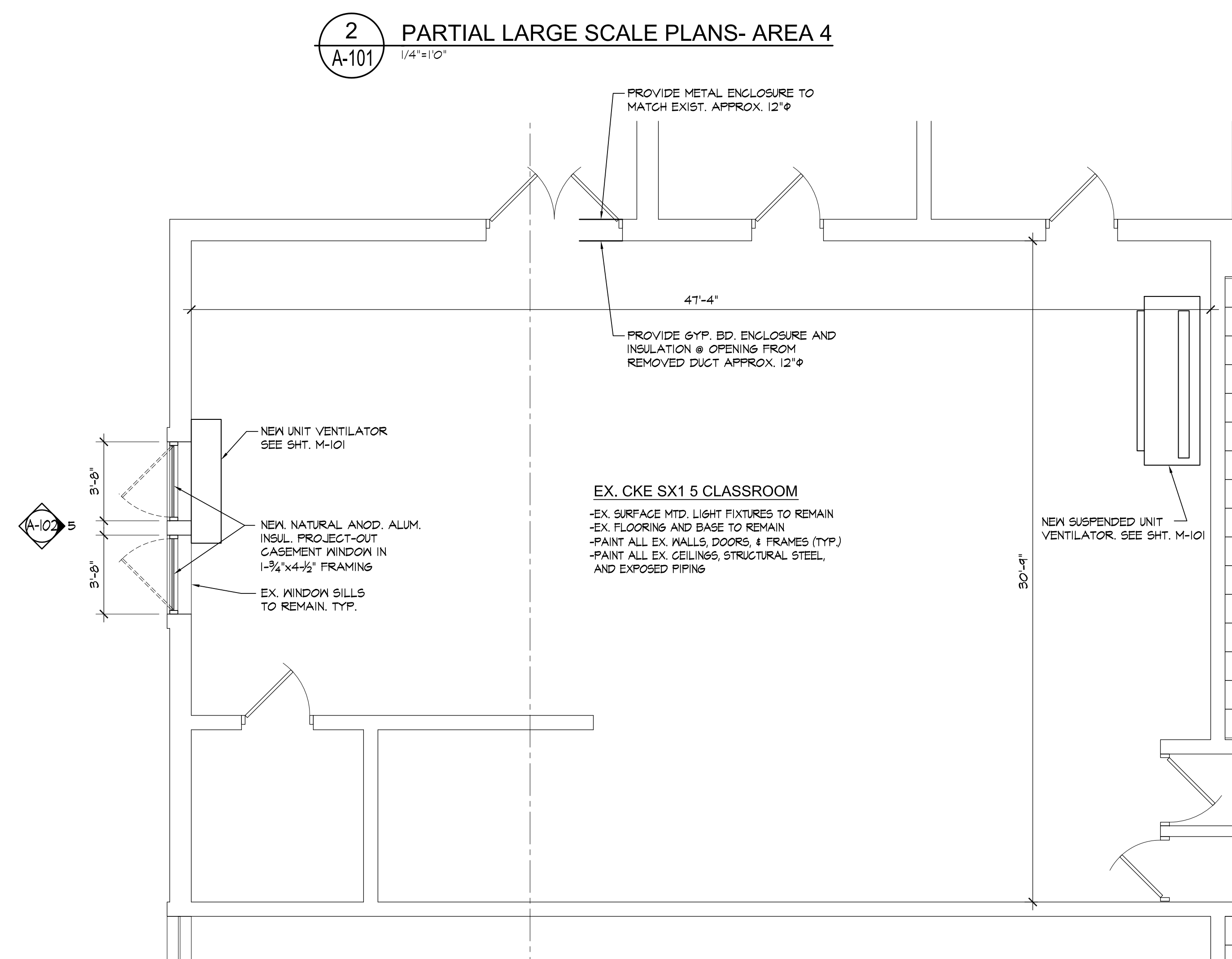


REFLECTED CEILING PLAN

2 PARTIAL LARGE SCALE PLANS- AREA 4
A-101 1/4"=1'-0"



EXISTING FLOOR PLAN- DEMO.



PROPOSED FLOOR PLAN

1 PARTIAL LARGE SCALE PLANS- AREA 5
A-101 1/4"=1'-0"

Client:
NORTHVILLE PUBLIC SCHOOLS

Project:
COOKE SCHOOL
MISCELLANEOUS
RENOVATIONS

21200 TAFT RD.
NORTHVILLE, MICHIGAN 48167
Seat:

Date	Issued For
05-15-2012	PROGRESS
05-21-2012	BIDDING

Drawn: JGW
Checked: DMZ
Approved: DMZ

Sheet Title:
PARTIAL LARGE SCALE
FLOOR PLANS,
DEMO. PLANS &
REFLECTED CEILING PLANS
AREAS 4 & 5

Project Number: 312081

Sheet Number: A-103

THE MATERIALS IS THE SOLE PROPERTY OF SIODOCK GROUP, INC. AND
CANNOT BE REPRODUCED, COPIED, OR USED IN ANY MANNER WITHOUT THE
PERMISSION OF SIODOCK GROUP, INC. © 2011