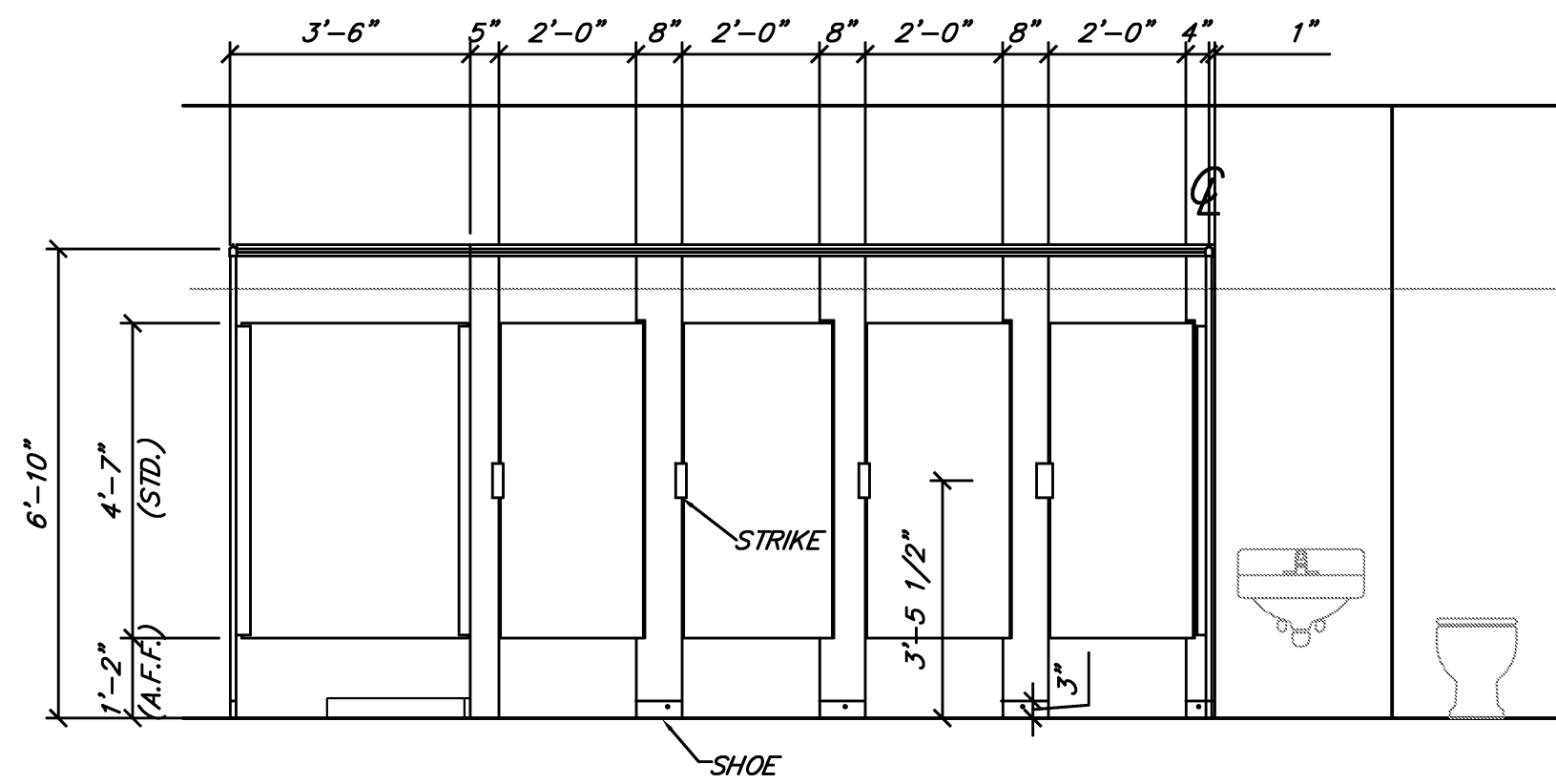
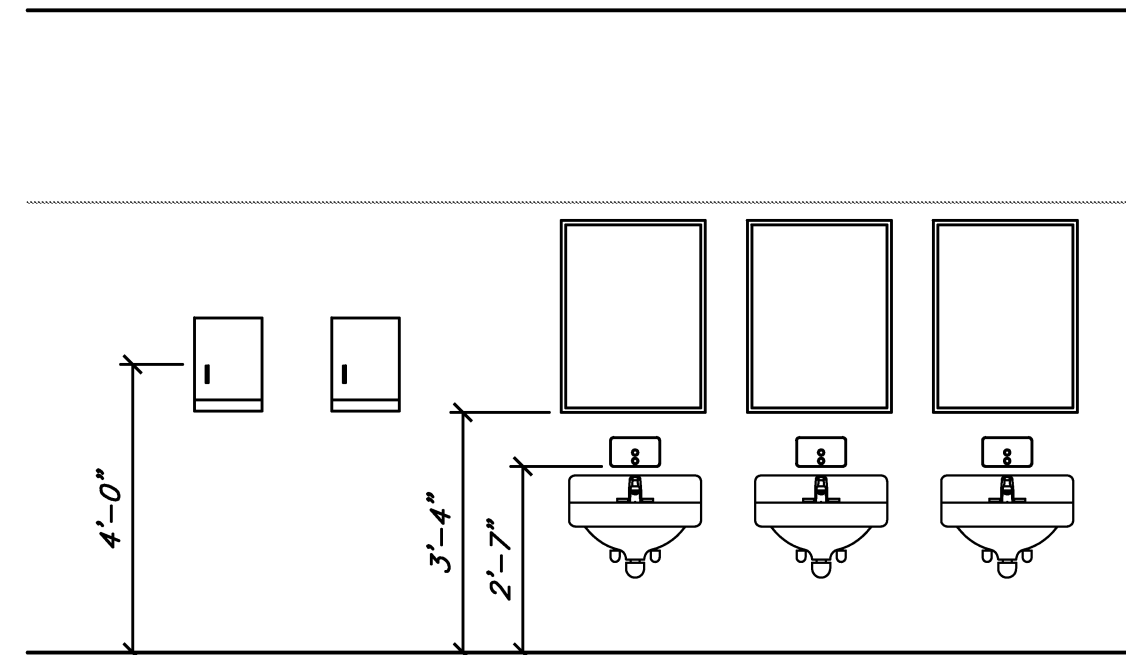


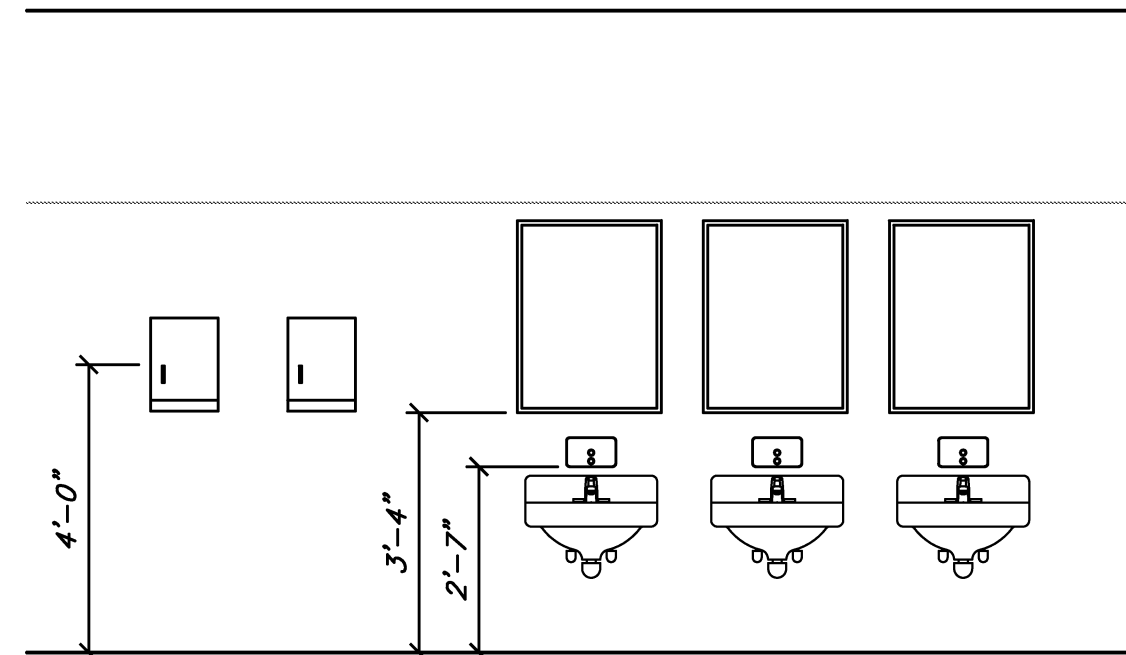
1 INTERIOR ELEVATION
A2 SCALE: 3/8"=1'-0"



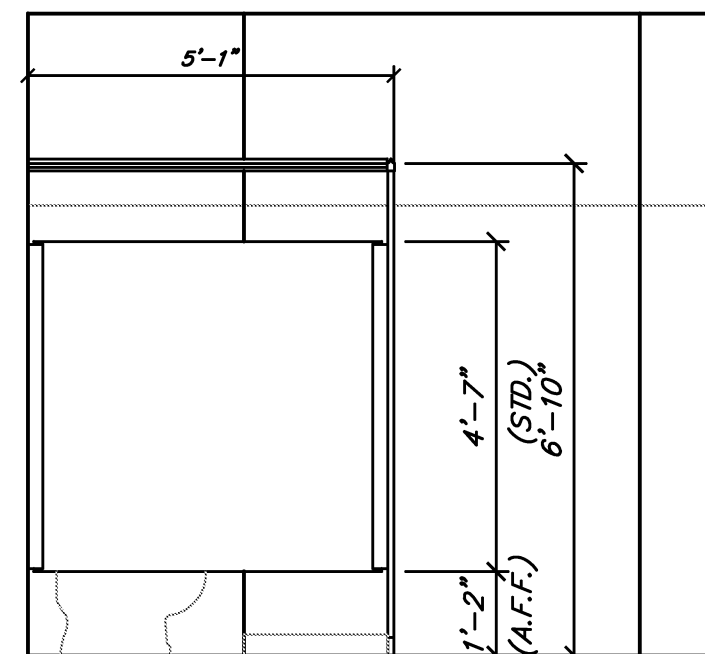
4 INTERIOR ELEVATION
A2 SCALE: 3/8"=1'-0"



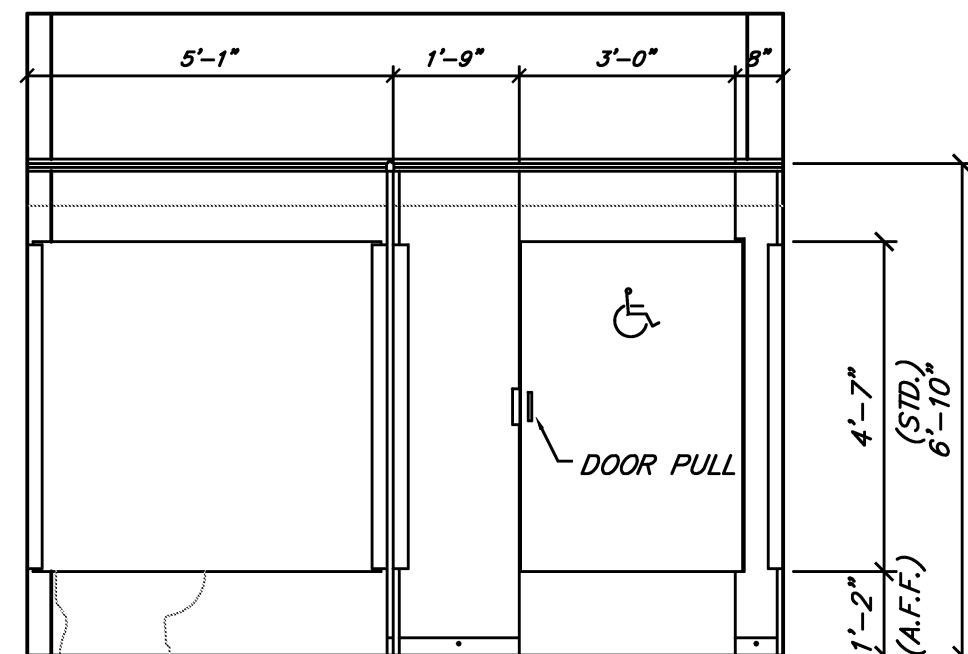
2 INTERIOR ELEVATION
A2 SCALE: 3/8"=1'-0"



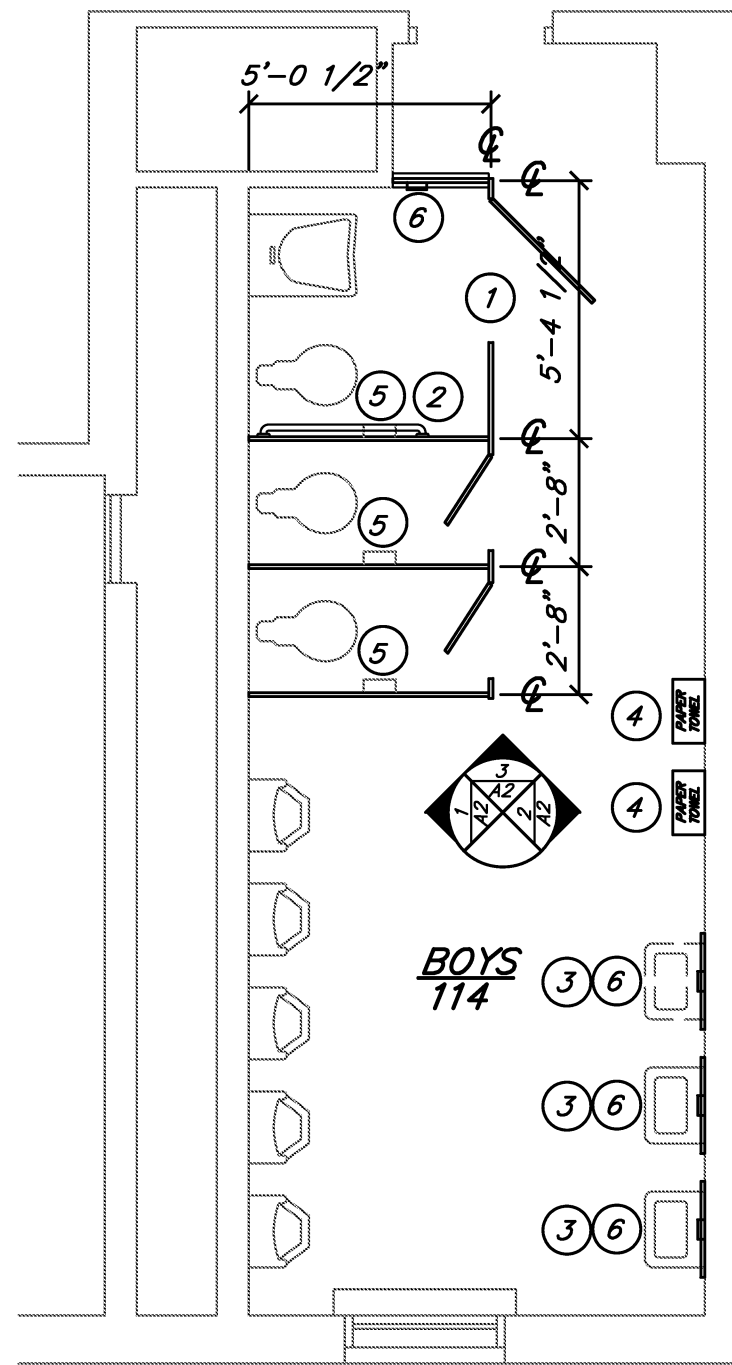
5 INTERIOR ELEVATION
A2 SCALE: 3/8"=1'-0"



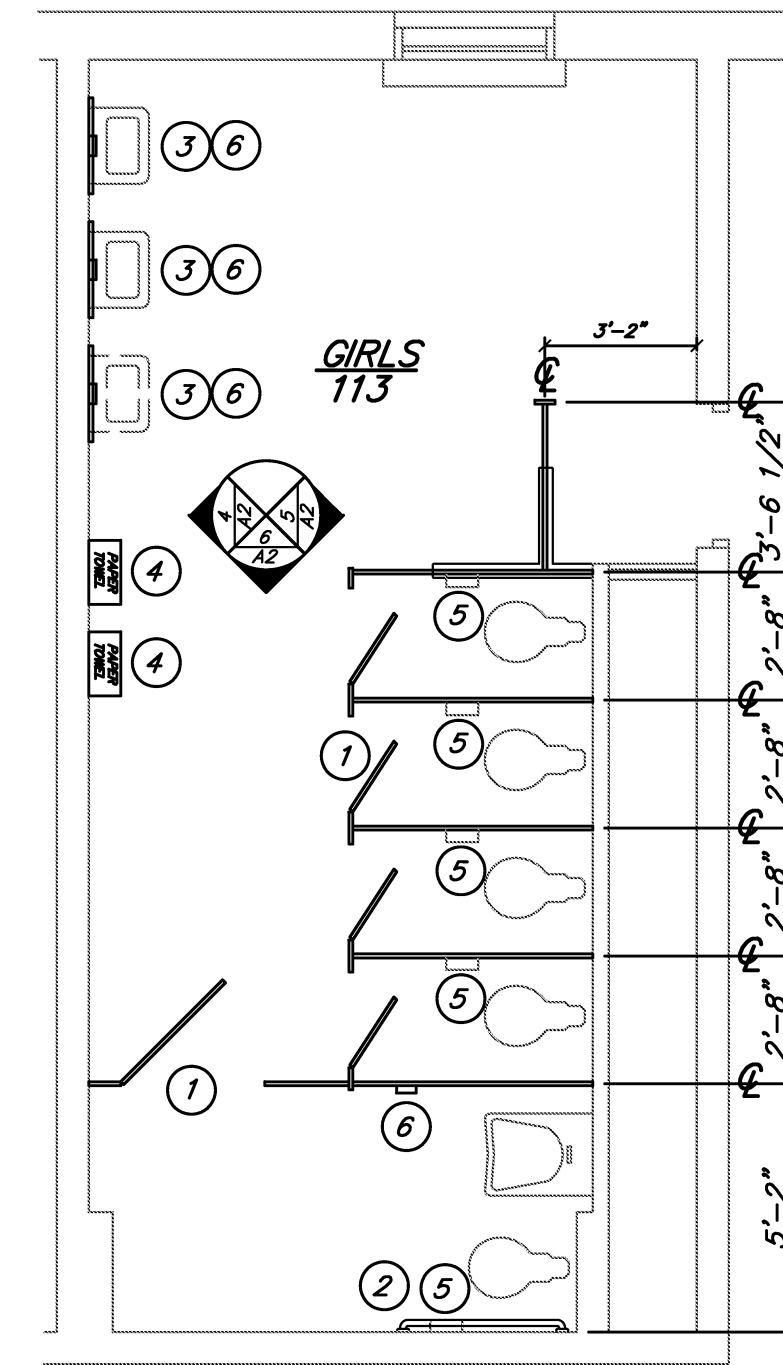
3 INTERIOR ELEVATION
A2 SCALE: 3/8"=1'-0"



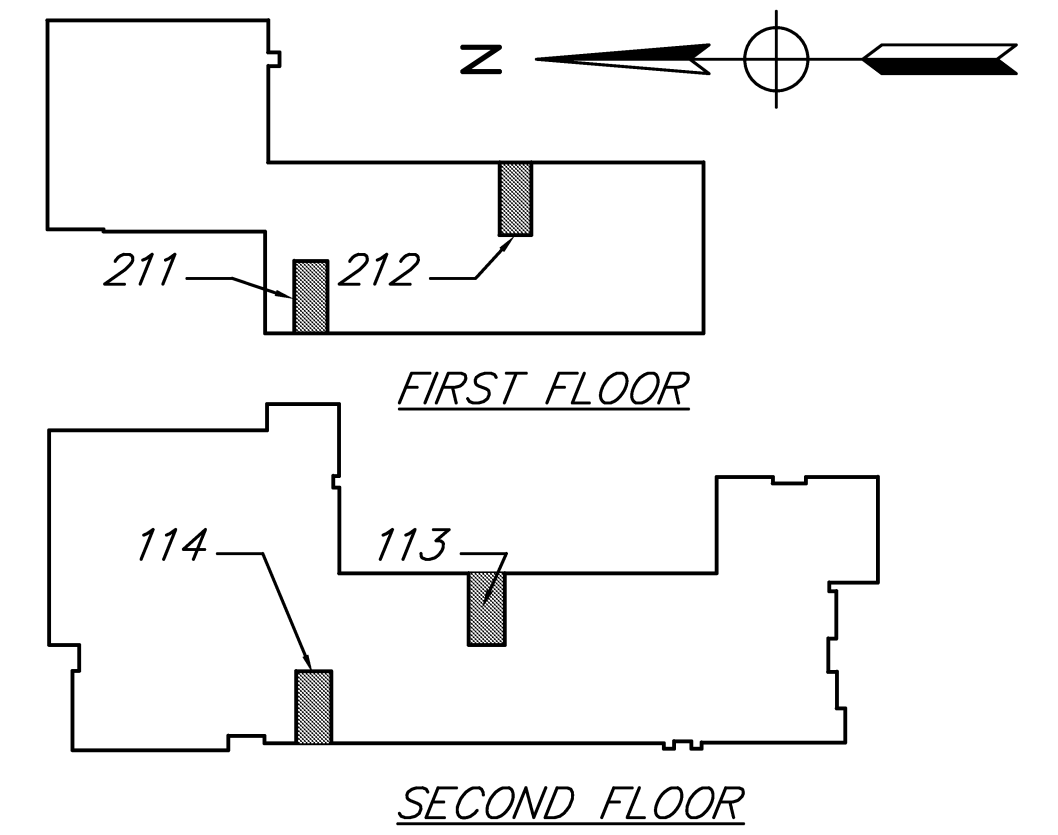
6 INTERIOR ELEVATION
A2 SCALE: 3/8"=1'-0"



PARTIAL FLOOR PLAN
SCALE: 1/4"=1'-0"



PARTIAL FLOOR PLAN
SCALE: 1/4"=1'-0"



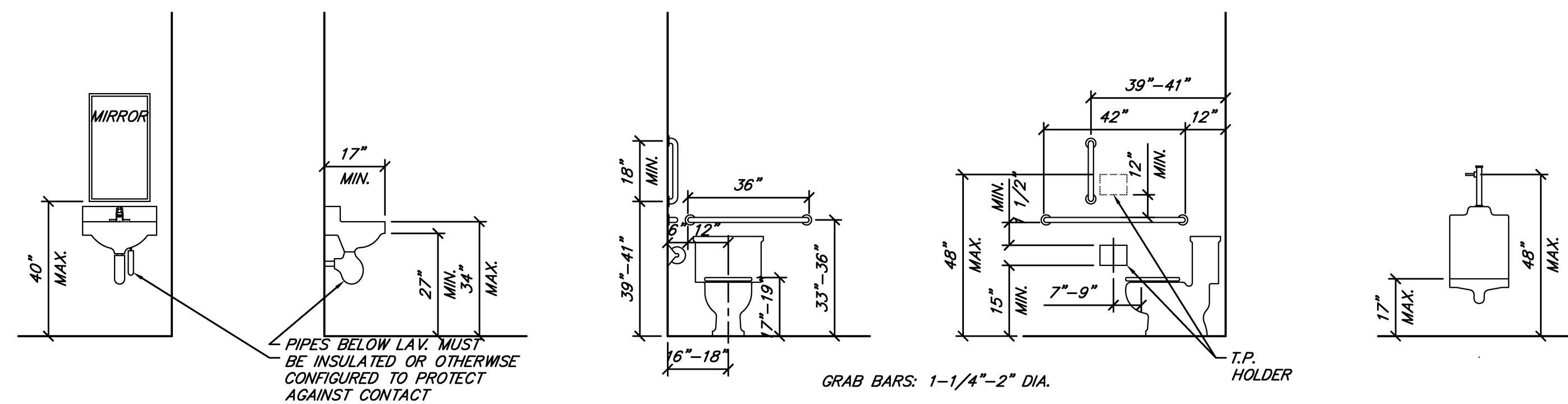
BUILDING KEY
N.T.S.

PLAN NOTES

- RESTORE EXISTING AREAS WHERE EQUIPMENT HAS BEEN REMOVED DURING CONSTRUCTION AND PREVIOUS TO CONSTRUCTION. MATCH EXISTING MATERIAL AND FINISHES IN WALLS AND FLOOR.
- CEILING AND WALLS ARE TO BE PREPPED, PRIMED AND PAINTED WITH TWO COATS.
- PLUMBING ACCESS PANELS TO BE PREPPED, PRIMED AND PAINTED WITH TWO COATS.
- SALVAGED ITEMS ARE TO BE REINSTALLED UTILIZING EXISTING MOUNTING LOCATIONS WHERE POSSIBLE. COORDINATE SALVAGED ITEMS WITH OWNER.

KEY

- ① - NEW 1" SOLID PLASTIC PARTITION SYSTEM
- ② - REINSTALL EXISTING GRAB BAR
- ③ - NEW 24"X32" VANDAL RESISTANT MIRROR
- ④ - NEW STAINLESS STEEL PAPER TOWEL DISPENSER
- ⑤ - NEW TOILET PAPER DISPENSER
- ⑥ - NEW SOAP DISPENSER



BARRIER-FREE PLUMBING FIXTURE ELEVATIONS
SCALE: 3/8" = 1'-0"

BY	MARK	REVISIONS	DATE
<small>THE WORK REPRESENTED BY THIS DRAWING WAS DESIGNED BY THE ENGINEER FOR THIS SPECIFIC APPLICATION AND SPECIFIC LOCATION DESCRIBED HEREIN IN ACCORDANCE WITH THE CONDITIONS PREVALENT AT THE TIME THE DESIGN WAS DONE. THE ENGINEER DOES NOT GUARANTEE AND WILL NOT BE LIABLE FOR ANY OTHER LOCATION, CONDITION, DESIGN OR PURPOSE.</small>			
CENTRAL SCHOOL BATHROOM RENOVATIONS OWOSSO PUBLIC SCHOOLS 2012 SINKING FUND IMPROVEMENTS			
PLANS & INTERIOR ELEVATIONS			
		<small>SAGINAW OFFICE 230 S. Washington Ave. Saginaw, MI 48607 Tel. 989-754-4717 Fax. 989-754-4440 www.SpicerGroup.com</small>	
DE. BY: DSB	CH. BY: DWH	PROJECT NO. 119452SG2011	
DR. BY: DSB	APP. BY: DWH		
STDS.	SHEET 3 OF 4	A	
DATE DECEMBER, 2011	FILE NO. DA-1203-03	2	
SCALE AS SHOWN			