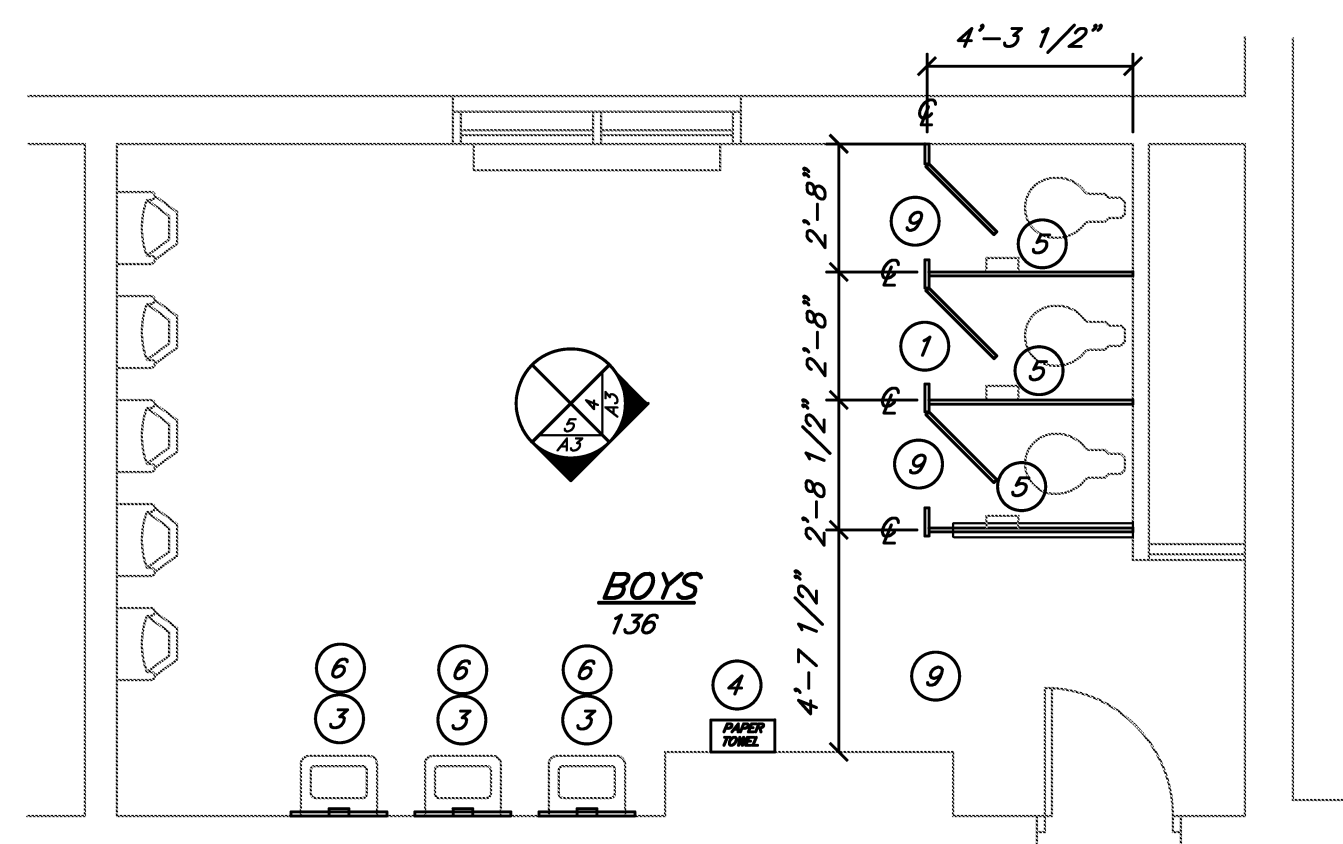
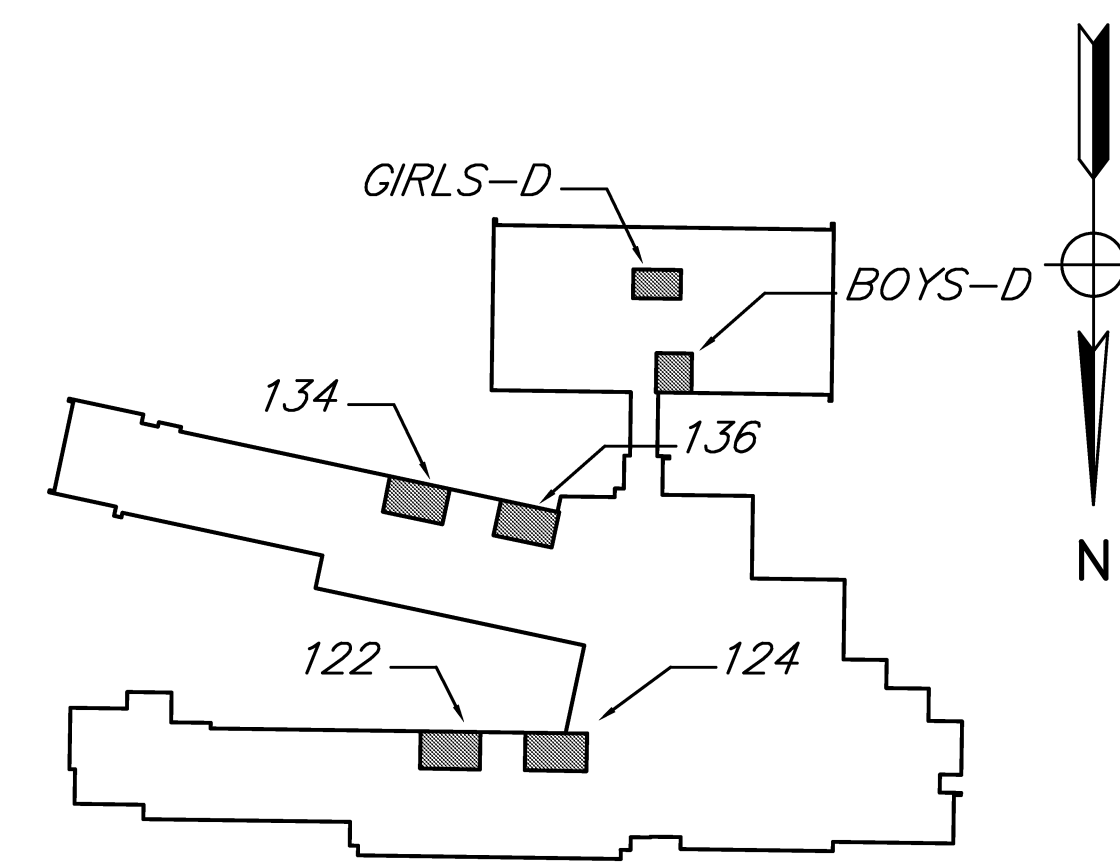


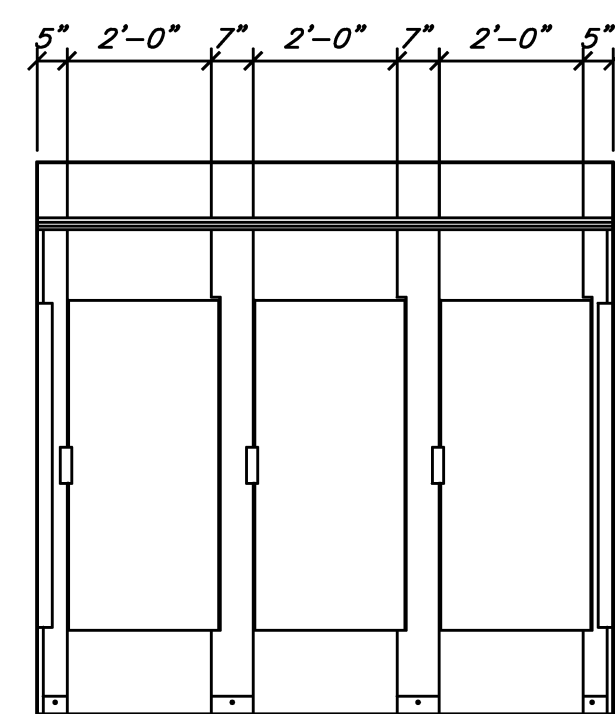
PARTIAL FLOOR PLAN
SCALE: 1/4"=1'-0"



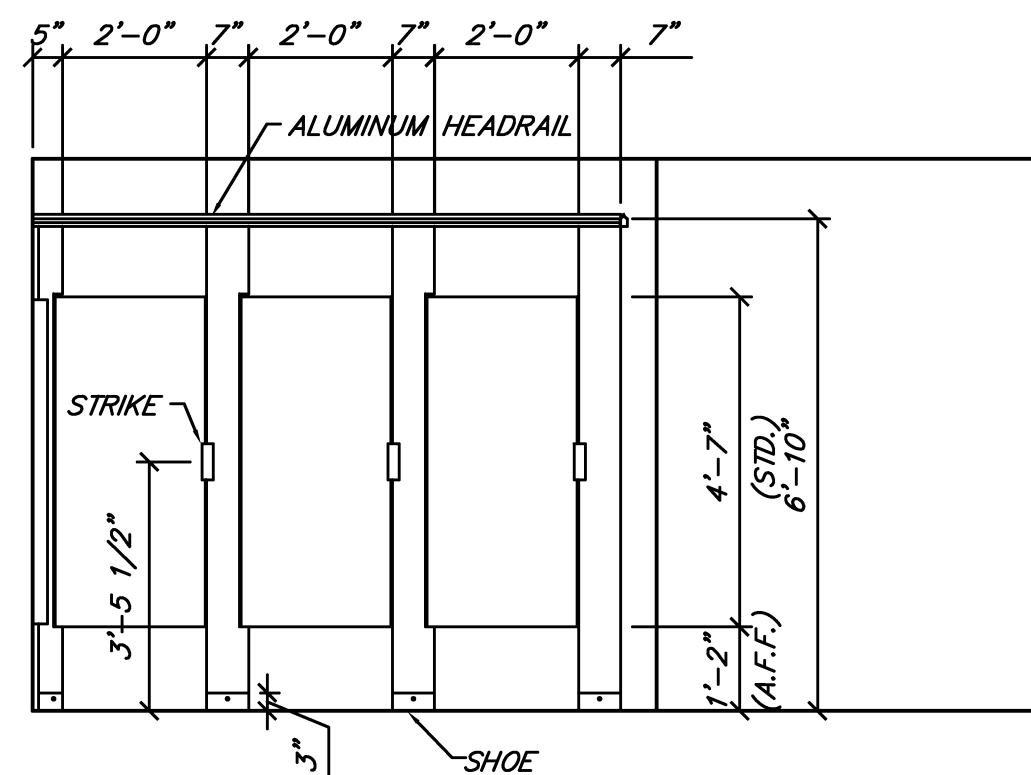
PARTIAL FLOOR PLAN
SCALE: 1/4"=1'-0"



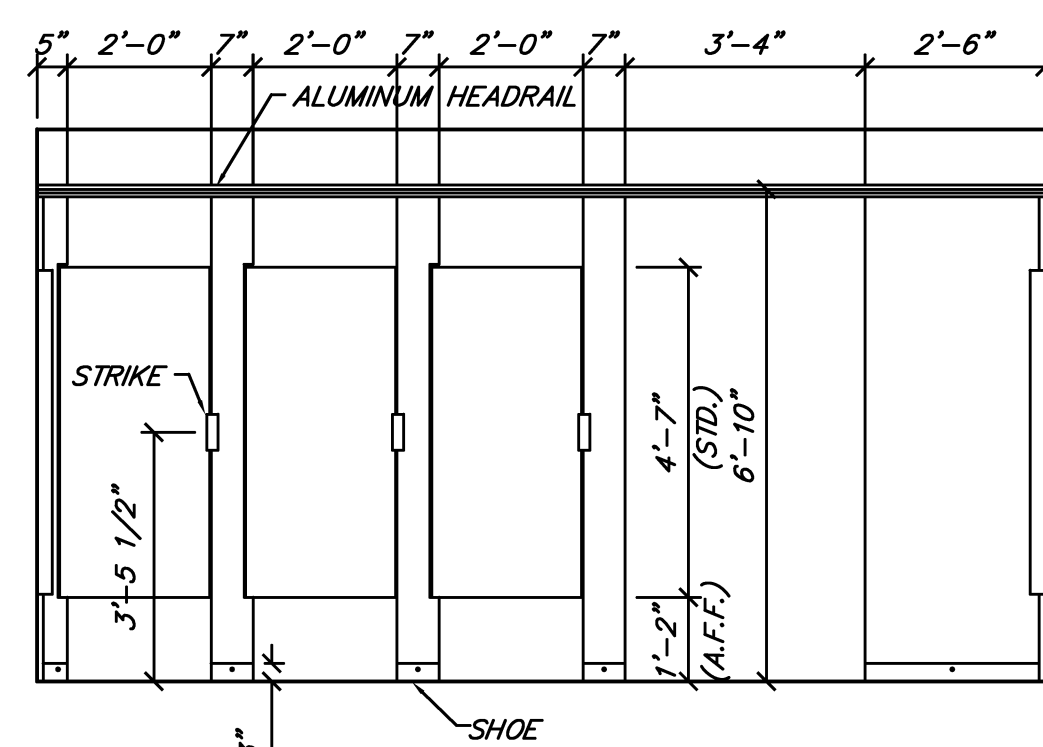
BUILDING KEY
N.T.S.



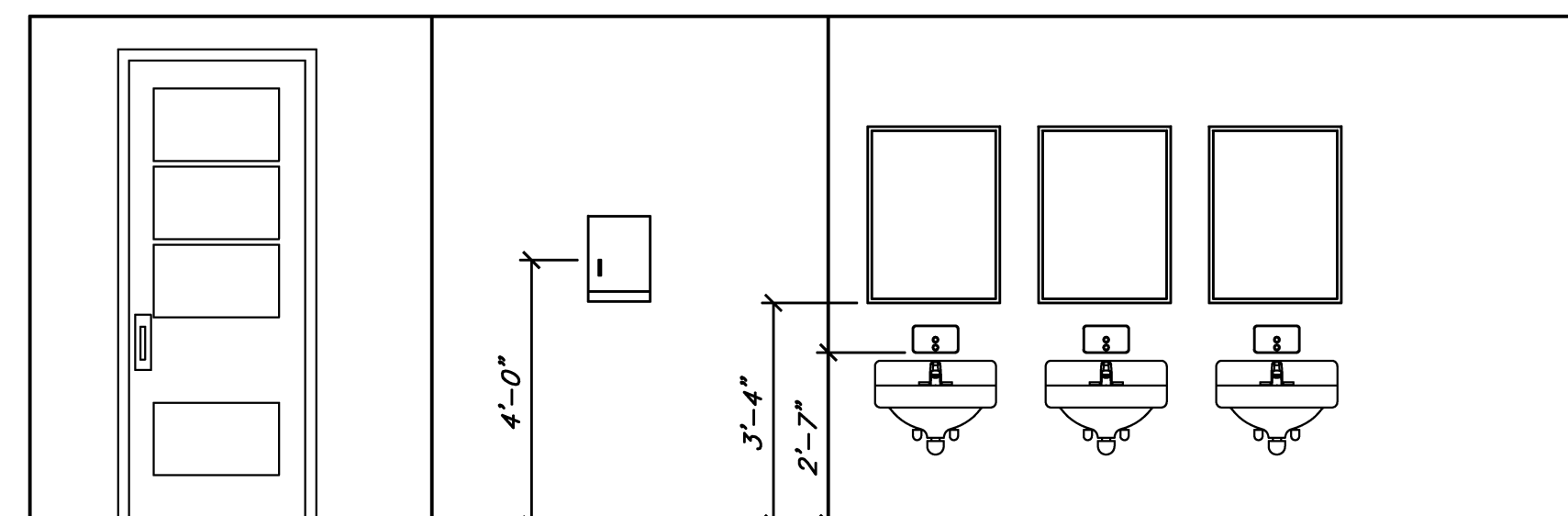
1 INTERIOR ELEVATION
A3 SCALE: 3/8"=1'-0"



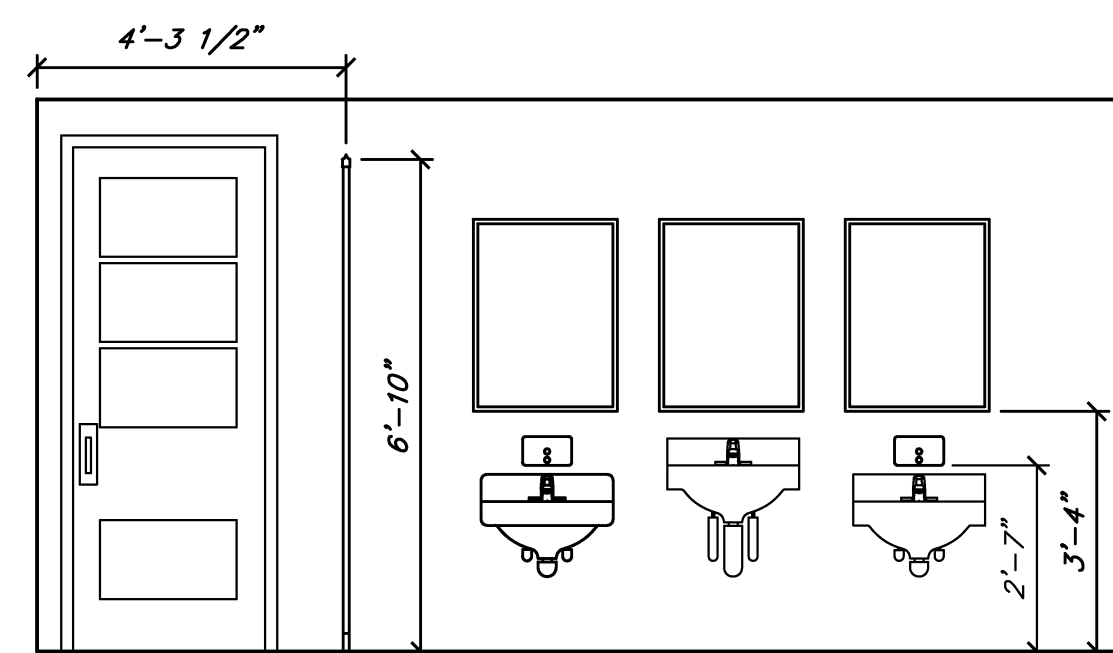
4 INTERIOR ELEVATION
A3 SCALE: 3/8"=1'-0"



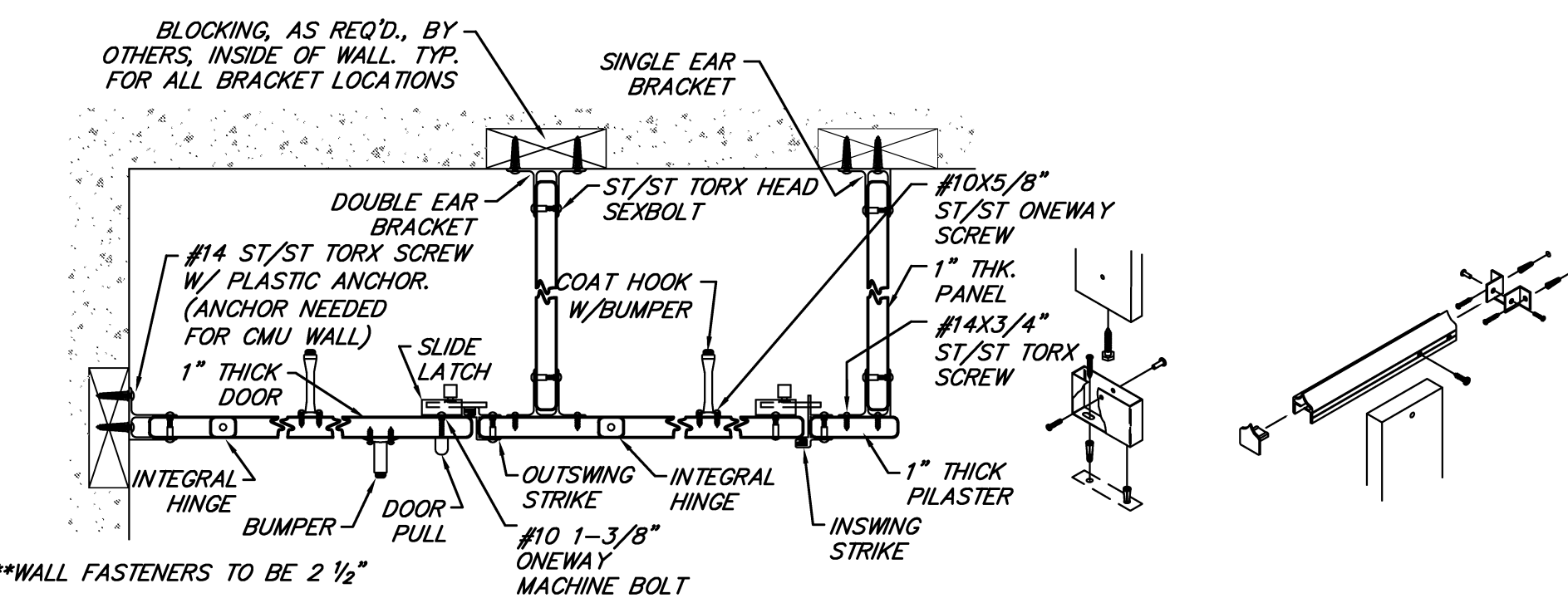
2 INTERIOR ELEVATION
A3 SCALE: 3/8"=1'-0"



5 INTERIOR ELEVATION
A3 SCALE: 3/8"=1'-0"



3 INTERIOR ELEVATION
A3 SCALE: 3/8"=1'-0"



ENLARGED CONNECTION DETAILS
N.T.S.

ENLARGED FLOOR MOUNT
N.T.S.

ENLARGED HEAD BRACE
N.T.S.

PLAN NOTES

- RESTORE EXISTING AREAS WHERE EQUIPMENT HAS BEEN REMOVED DURING CONSTRUCTION AND PREVIOUS TO CONSTRUCTION. MATCH EXISTING MATERIAL AND FINISHES IN WALLS AND FLOOR.
- CEILINGS AND WALLS ARE TO BE PREPPED, PRIMED AND PAINTED WITH TWO COATS.
- PLUMBING ACCESS PANELS TO BE PREPPED, PRIMED AND PAINTED WITH TWO COATS.
- SALVAGED ITEMS ARE TO BE REINSTALLED UTILIZING EXISTING MOUNTING LOCATIONS WHERE POSSIBLE. COORDINATE SALVAGED ITEMS WITH OWNER.

KEY

- NEW 1" SOLID PLASTIC PARTITION SYSTEM
- REINSTALL EXISTING GRAB BAR
- NEW 24"X32" VANDAL RESISTANT MIRROR
- NEW STAINLESS STEEL PAPER TOWEL DISPENSER
- NEW TOILET PAPER DISPENSER
- NEW SOAP DISPENSER
- REINSTALL EXISTING SANITARY NAPKIN DISPOSALS
- INSTALL NEW SINK
- PATCH FLOOR TO MATCH EXISTING

| BY | MARK | REVISIONS | DATE |
|---|----------------|--|------------|
| <p>THE WORK REPRESENTED BY THIS DRAWING WAS DESIGNED BY THE ENGINEER FOR THIS SPECIFIC APPLICATION AND SPECIFIC LOCATION DESCRIBED HEREIN IN ACCORDANCE WITH THE CONDITIONS PREVALENT AT THE TIME THE DESIGN WAS DONE. THE ENGINEER DOES NOT GUARANTEE AND WILL NOT BE LIABLE FOR ANY OTHER LOCATION, CONDITION, DESIGN OR PURPOSE.</p> | | | |
| <p>BRYANT ELEMENTARY BATHROOM RENOVATIONS OWOSSO PUBLIC SCHOOLS 2012 SINKING FUND IMPROVEMENTS</p> | | | |
| <p>PLANS, INTERIOR ELEVATIONS, & DETAILS</p> | | | |
| <p>DE. BY: DSB DR. BY: DSB</p> | | <p>CH. BY: DMH APP. BY: DMH</p> | |
| <p>PROJECT NO. 1194525G2011</p> | | <p>SAGINAW OFFICE 230 S. Washington Ave. Saginaw, MI 48607 Tel. 989-754-4117 Fax. 989-754-4440 www.SpicerGroup.com</p> | |
| STDS. | SHEET 4 OF 5 | A | |
| DATE | DECEMBER, 2011 | FILE NO. | DA-1202-04 |
| SCALE | AS SHOWN | 3 | |