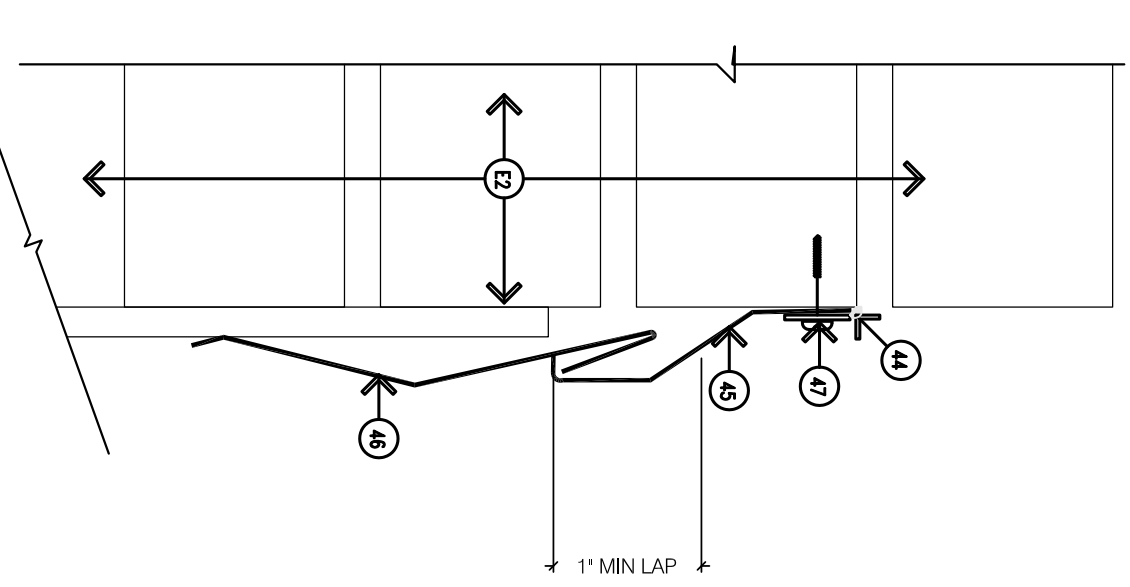


EXISTING ITEMS TO REMAIN:

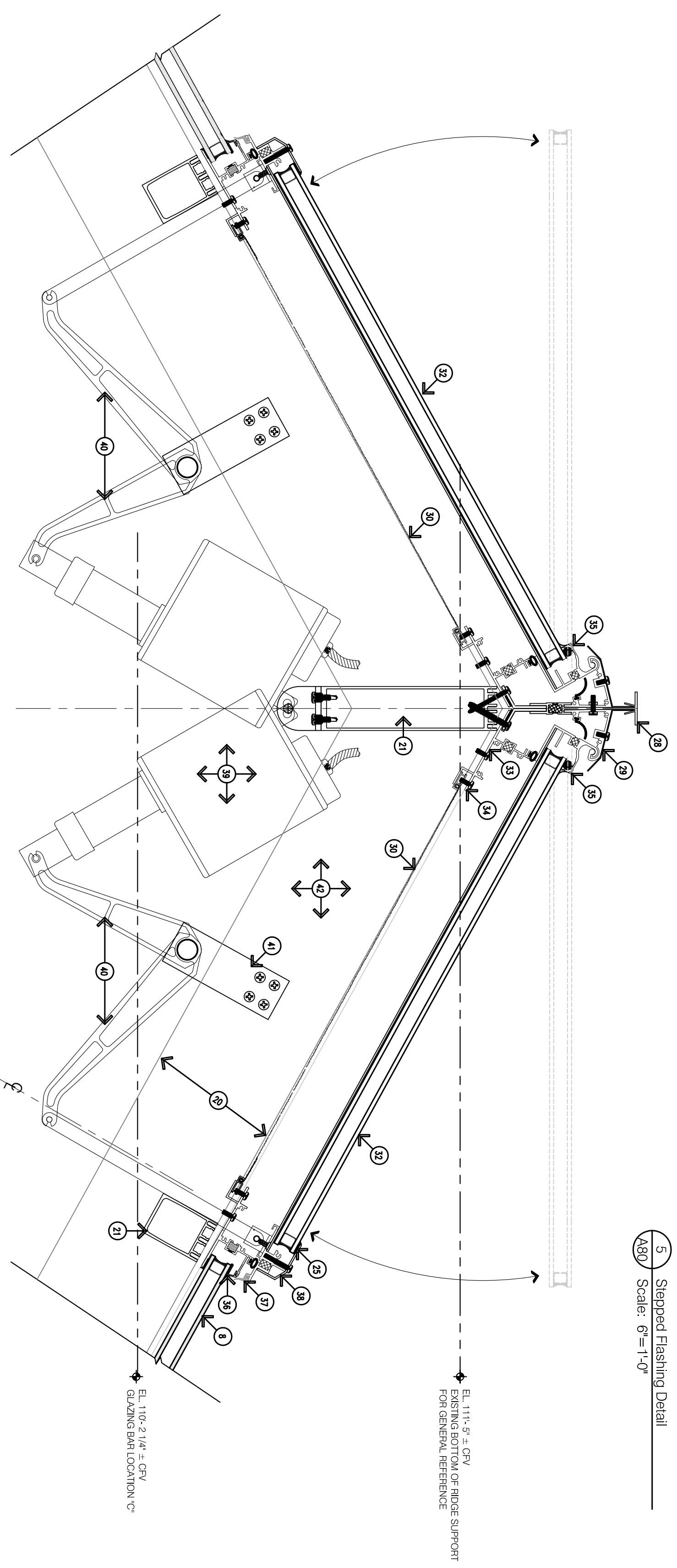
- E1. SILL SUPPORT ANGLE - ECU. CFV. INSTALL IF DAMAGED OR MISSING
- E2. MASONRY BRICK WALL - ECU. CFV
- E3. NOT USED
- E4. CONCRETE WALK
- E5. CONCRETE FLOOR SLAB (PAINTED)
- E8. FOUNDATION, ECU

WORK NOTES:

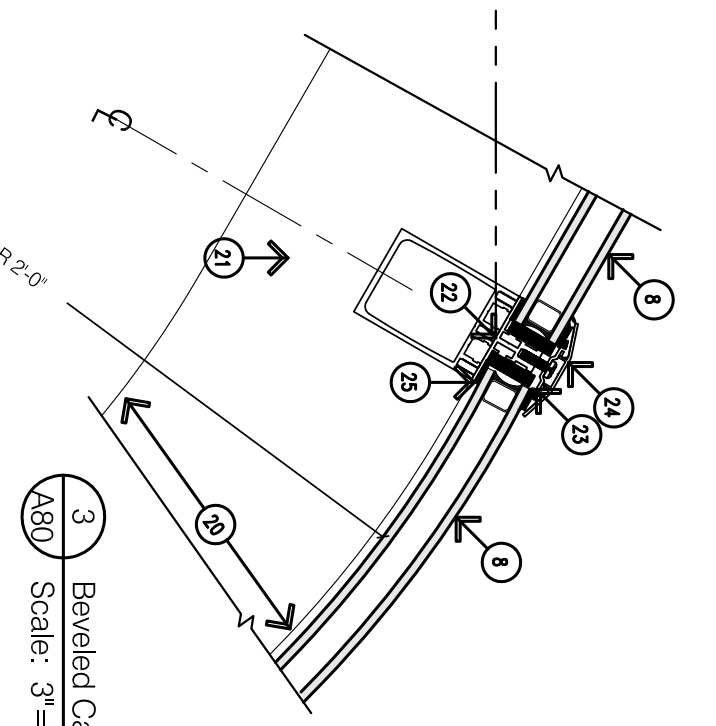
1. FLEXIBLE FLASHING MEMBRANE FULLY ADHERED
2. 2X PRESERVATIVE TREATED WOOD SILL PLATE. SIZE AS NEEDED TO FIT CONDITIONS.
3. ANCHOR SILL TO EXISTING MASONRY WITH #4 ANCHOR BOLTS @ 32" O.C. MAXIMUM. COUNTER SINK INTO PLATE TO ALLOW LEVEL SURFACE.
4. FLEXIBLE FOAM GASKET SILL SEAL.
5. CONTINUOUS SILL PAN (PART OF MANUFACTURER GREENHOUSE SYSTEM).
6. GROUT SOLID BELOW SILL.
7. PRESSURE CAP AND COVER CAP (PART OF MANUFACTURER SKYLIGHT SYSTEM).
8. 1" INSULATED GLAZING - LAMINATED
9. RE-INSTALL REMOVED Limestone BASE CAP / SILL
10. RE-INSTALL REMOVED Limestone BASE PANEL, NEW PANEL, SIMILAR
11. PRIOR TO INSTALLATION OF SILL, CONTACT ARCHITECT TO REVIEW SUPPORT ANGLE CONDITION AND ASSESS TO RE-FURBISH OR REPLACE.
12. ALUMINUM TRIM (BRASS METAL) 24 GAUGE MIN. EXTEND MINIMUM 2" BEYOND BRICK JOINT
13. STAINLESS STEEL STRIP ANCHOR WITH DOWNL SECURED INTO MASONRY WALL BELOW AT HEAD JOINT
14. STAINLESS STEEL U STRIP ANCHOR. SECURE INTO MASONRY. TWO MINIMUM EACH PANEL.
15. SILL COVER (PART OF MANUFACTURER GREENHOUSE SYSTEM).
16. HEAVY INSULATED SILL (PART OF MANUFACTURER GREENHOUSE SYSTEM).
17. NOT USED
18. SEALANT
19. GREENHOUSE FRAMING / GUTTER SUB-FRAME SUPPORT
20. PURLIN
21. GLAZING BAR
22. MAIN TIE BAR
23. BEVELED CAP COVER
24. BEVELED CAP COVER
25. POLYURETHAN FOAM TAPE
26. SETTING BLOCK
27. RIDGE BEAM AS SEED BY GREENHOUSE MANUFACTURER
28. RIDGE VENT CHEST
29. RIDGE VENT HEAD FLASHING
30. SCREEN
31. AWNING WINDOW WITH 1" INSULATED GLAZING - TEMPERED
32. VENTING SKYLIGHT WITH 1" INSULATED GLAZING - LAMINATED
33. RIDGE VENT FRAME
34. SCREEN FRAME
35. RIDGE VENT SASH HINGE
36. ALUMINUM WELD
37. GASKET
38. CLOSURE CAP
39. OPERABLE VENT ACTUATOR MOTOR
40. OPERABLE VENT ACTUATOR ARMS
41. FLAT PLATE SHIFTER HANGAR
42. GLAZING BAR/PURLIN REINFORCING AS REQUIRED BY GREENHOUSE MANUFACTURER
43. #4 ISOLATION JOINT
44. SEALANT
45. SURFACE MOUNTED REGLET
46. PRE-FINISHED ALUMINUM FLASHING - STEPPED TO PROVIDE 6" MIN. OVERLAP
47. STAINLESS STEEL DRIVE PIN WITH NEOPRENE GASKET



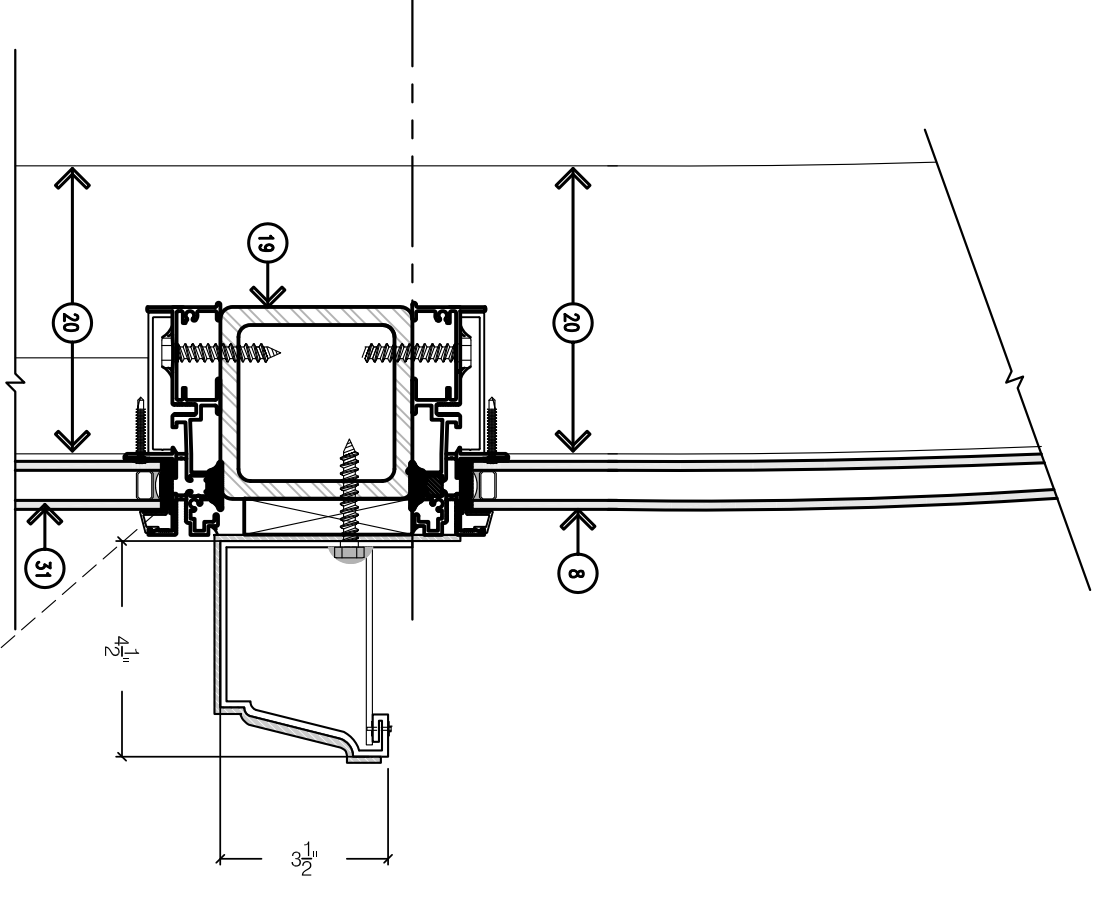
5 Stepped Flashing Detail
ASB Scale: 6"=1'-0"



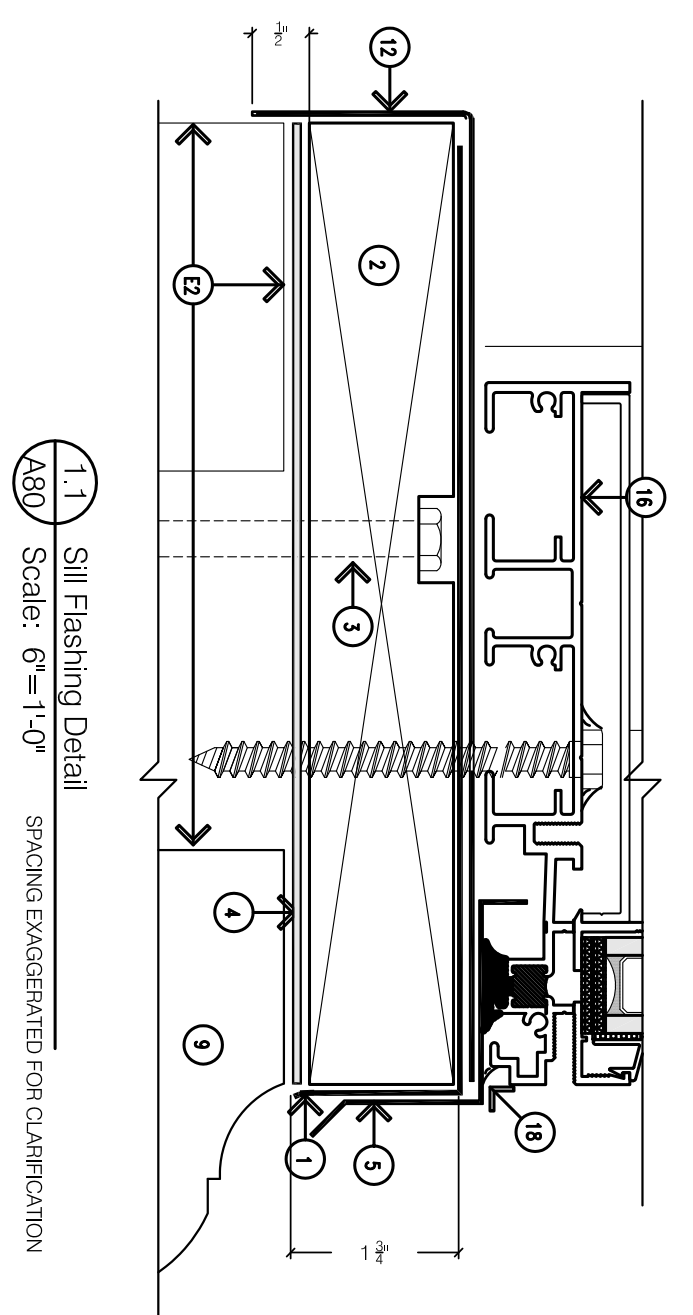
4 Venting Skylight Ridge Detail
ASB Scale: 3"=1'-0"



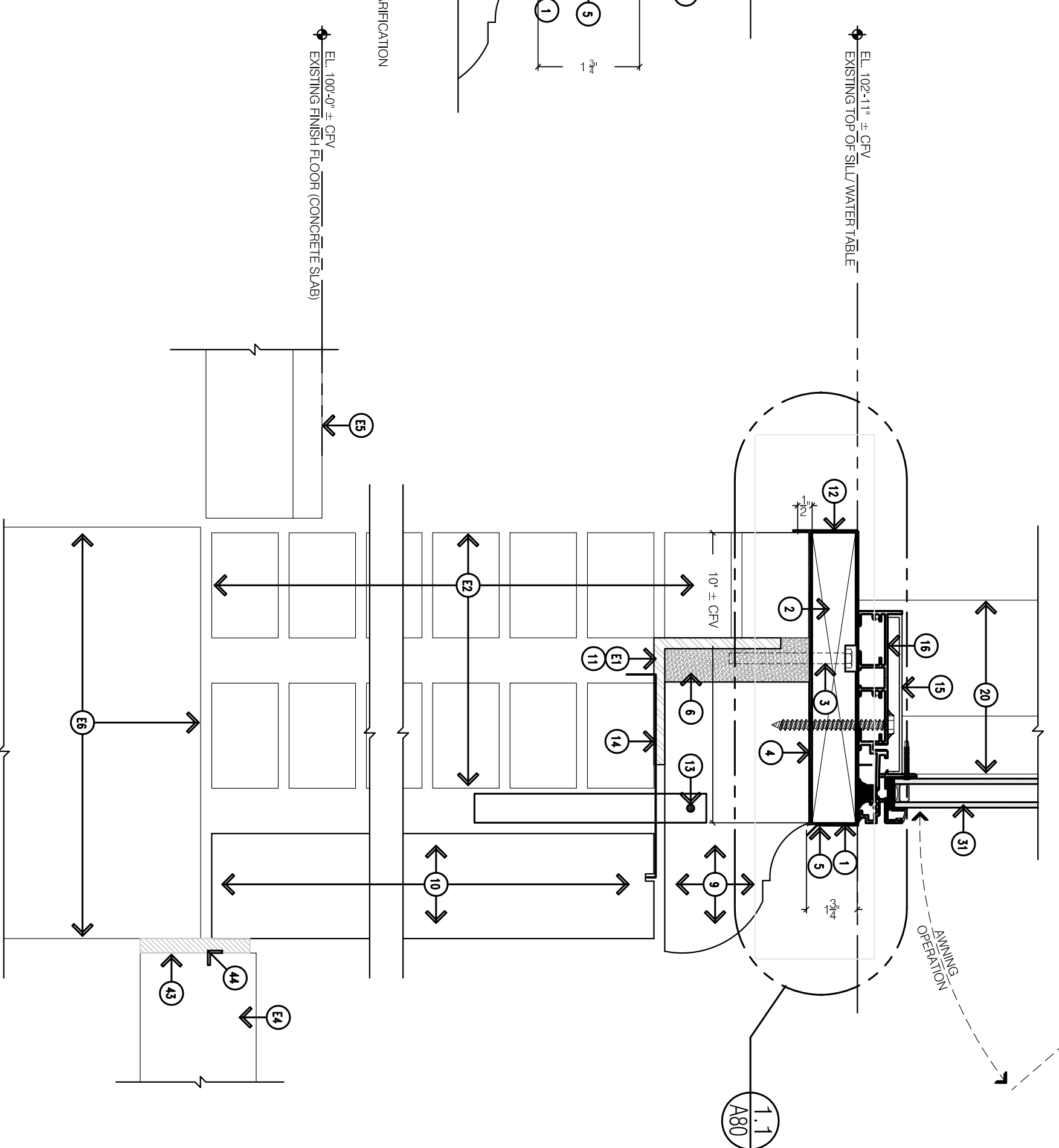
3 Beveled Cap Cover Detail
ASB Scale: 3"=1'-0"



2 Gutter Detail
ASB Scale: 3"=1'-0"



1.1 Sill Flashing Detail
ASB Scale: 6"=1'-0"



1 Wall Detail
ASB Scale: 3"=1'-0"

Bidding: 22 March 12
Scale: 3"=1'-0"

Envesman Associates, Inc.
ARCHITECTS • ENGINEERS
Grosse Pointe Public School System
Grosse Pointe South High School
Greenhouse Stabilization

Project No. 5309
A80
600 West Big Beaver Road, Suite 300, Troy, Michigan 48064 • 248.244.9710 • 248.244.9712
envesman.com/envesmanassociates.com
© Envesman Associates, Inc. 2012